

**MISCELLANEOUS INFORMATION**

PERIMETER:	67'
SURFACE AREA:	276 SQ FT
VOLUME:	6163 IMP GALS 28042 LITER

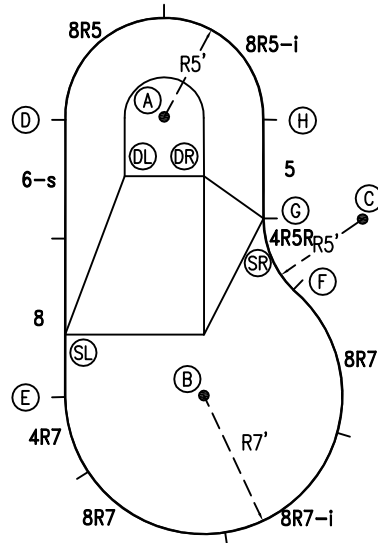
**CONCRETE DECK INFO**

WIDTH	AREA	NET INCREASES FOR:			
		STEPS	DIVING	SLIDE	ROLLER
2'	147	13	27	24	10
2'6"	187	17	31	20	10
3'	229	20	36	16	10

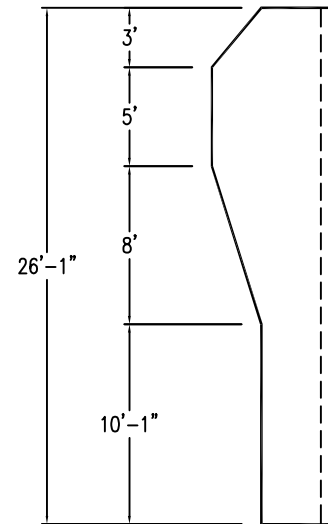
All Figures Represent "Sq Ft"

**PARTS LIST**

CODE	QTY	DESCRIPTION
8R7	2	8' Plain x 7' Radius
8R7-i	1	8' Return x 7' Radius
4R7	1	4' Plain x 7' Radius
8	1	8' Plain
6-s	1	6' Skimmer
8R5	1	8' Plain x 5' Radius
8R5-i	1	8' Return x 5' Radius
5	1	5' Plain
4R5R	1	4' Plain x 5' Reverse Radius
AF	10	A-Frame
S	20	Stakes
NB	60	Nuts & Bolts



6" WATER LINE



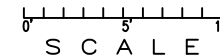
**INSTALLATION DATA**

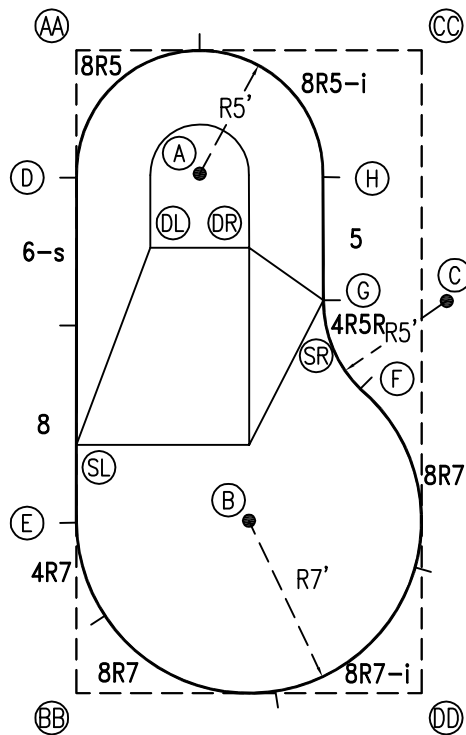
From Point "A" to:-		From Point "B" to:-	
B	14'-2 1/2"	B	
C	11'-3 1/4"	C	11'-11 3/4"
D	5'-0"	D	15'-6 3/4"
E	15'-0"	E	7'-0"
F	10'-10 3/4"	F	7'-0"
G	7'-2"	G	9'-5 1/4"
H	5'-0"	H	14'-3"
SL	12'-0 3/4"	SL	7'-7 3/4"
SR	7'-2"	SR	9'-5 1/4"
DL	3'-7 1/4"	DL	11'-9 1/4"
DR	3'-7 1/4"	DR	11'-0 3/4"

**NOTICE**

SWIMMING POOLS AND ACCESSORIES (INCLUDING DIVING BOARDS) ARE DANGEROUS WHEN IMPROPERLY USED OR INSTALLED. IT IS THE RESPONSIBILITY OF MUNICIPAL OFFICIALS, BUILDERS AND POOL OWNERS TO ADHERE TO ALL SAFETY RECOMMENDATIONS AND STANDARDS ISSUED BY THE POOL & HOT TUB COUNCIL, LOCAL AUTHORITIES AND EQUIPMENT MANUFACTURERS. PLEASE REFER TO DIVING BOARD MANUFACTURERS FOR CORRECT POSITIONING AND INSTALLATION OF DIVING EQUIPMENT.

\*ALL DIMENSIONS ARE FINISHED





EXTERNAL INSTALLATION DATA

AA TO:	BB TO:	CC TO:	DD TO:
AA --	AA 26'-0 3/4"	AA 14'-0"	AA 29'-7 1/4"
BB --	BB --	BB 29'-7 1/4"	BB 14'-0"
CC --	CC --	CC --	CC 26'-0 3/4"
A 7'-0 3/4"	A 21'-7 3/4"	A 10'-3 1/2"	A 22'-11"
B 20'-3 3/4"	B 9'-10 3/4"	B 20'-3 3/4"	B 9'-10 3/4"
C 18'-1 1/2"	C 21'-10 1/2"	C 10'-2 1/2"	C 15'-11 1/4"
D 5'-1 3/4"	D 20'-11"	D 14'-10 3/4"	D 25'-2"
E 19'-1 3/4"	E 6'-11"	E 23'-8 3/4"	E 15'-7 1/4"
F 17'-11"	F 16'-10 1/2"	F 13'-11 1/2"	F 12'-7"
G 14'-3"	G 18'-9 3/4"	G 10'-10 1/2"	G 16'-5"
H 11'-2 3/4"	H 23'-2 1/2"	H 6'-6"	H 21'-3 3/4"
SL 16'-0"	SL 10'-0 3/4"	SL 21'-3"	SL 17'-3"
SR 14'-3"	SR 18'-9 3/4"	SR 10'-10 1/2"	SR 16'-5"
DL 8'-6 1/2"	DL 18'-3 3/4"	DL 13'-7 1/4"	DL 21'-1 3/4"
DR 10'-7 1/2"	DR 19'-4 3/4"	DR 10'-7 1/2"	DR 19'-4 1/2"

DIAGONALS

From Point "D" to:-	From Point "E" to:-
E 14'-0"	E
F 14'-4 1/4"	F 12'-8 3/4"
G 11'-2 1/4"	G 13'-5 3/4"
H 10'-0"	H 17'-2 5/8"

NOTICE

SWIMMING POOLS AND ACCESSORIES (INCLUDING DIVING BOARDS) ARE DANGEROUS WHEN IMPROPERLY USED OR INSTALLED. IT IS THE RESPONSIBILITY OF MUNICIPAL OFFICIALS, BUILDERS AND POOL OWNERS TO ADHERE TO ALL SAFETY RECOMMENDATIONS AND STANDARDS ISSUED BY THE POOL & HOT TUB COUNCIL, LOCAL AUTHORITIES AND EQUIPMENT MANUFACTURERS. PLEASE REFER TO DIVING BOARD MANUFACTURERS FOR CORRECT POSITIONING AND INSTALLATION OF DIVING EQUIPMENT.

