

MISCELLANEOUS INFORMATION

PERIMETER:-	71'
SURFACE AREA:	296.1 SQ FT
VOLUME:	7830 IMP GALS 35628 L

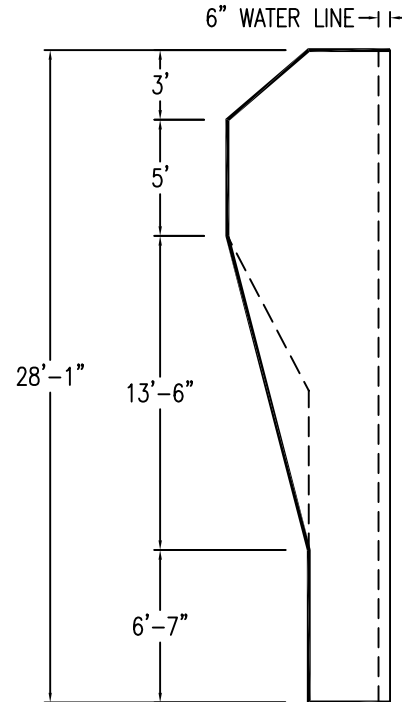
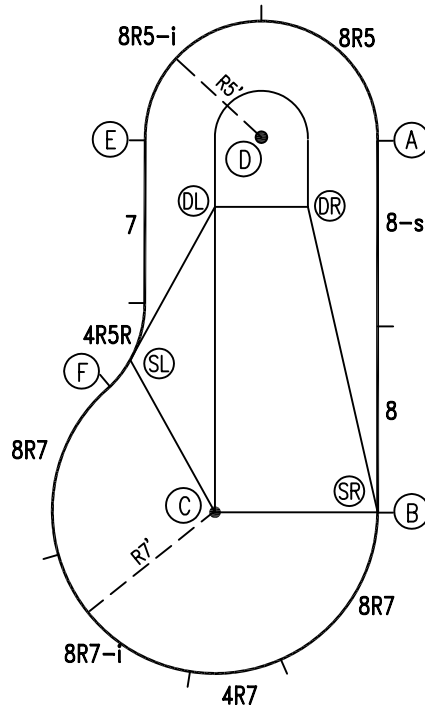
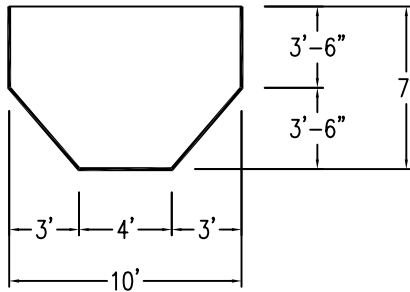
PARTS LIST

CODE	QTY	DESCRIPTION
8-s	1	8' Skimmer
8R5-i	1	8' Return x 5' Radius
8R7-i	1	8' Return x 7' Radius
8R7	2	8' Plain x 7' Radius
4R7	1	4' Plain x 7' Radius
8R5	1	8' Plain x 5' Radius
8	1	8' Plain
7	1	7' Plain
4R5R	1	4' Plain x 5' Reverse Rad
AF	10	A-Frame
S	20	Stake
NB	60	Nuts & Bolts

CONCRETE DECK INFO

WIDTH	AREA	NET INCREASES FOR:			
		STEPS	DIVING	SLIDE	ROLLER
2'	155	13	27	24	10
2'6"	198	17	31	20	10
3'	242	20	36	16	10

All Figures Represent "Sq Ft"



*ALL DIMENSIONS ARE FINISHED



INSTALLATION DATA

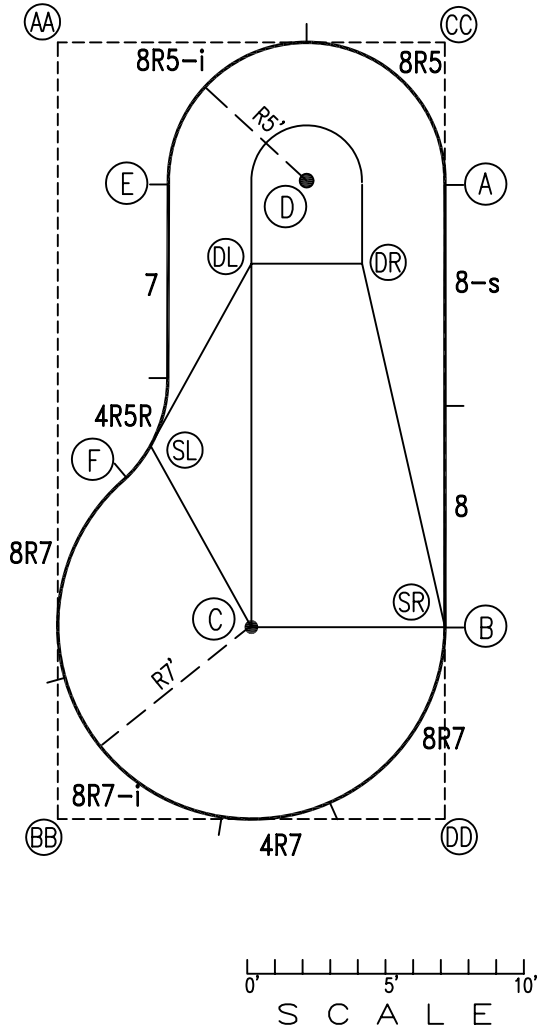
From Point "A" to:-		From Point "B" to:-	
B	16'-0"	B	7'-0"
C	17'-4 3/4"	C	16'-10 7/8"
D	5'-0"	D	18'-10 5/8"
E	10'-0"	E	12'-8 3/4"
F	15'-7 5/8"	F	12'-6 1/8"
SL	14'-2 5/8"	SR	0'-0 1/8"
SR	15'-11 7/8"	DL	14'-10 7/8"
DL	7'-6 5/8"	DR	13'-5 7/8"
DR	4'-1 5/8"		

NOTICE

SWIMMING POOLS AND ACCESSORIES (INCLUDING DIVING BOARDS) ARE DANGEROUS WHEN IMPROPERLY USED OR INSTALLED. IT IS THE RESPONSIBILITY OF MUNICIPAL OFFICIALS, BUILDERS AND POOL OWNERS TO ADHERE TO ALL SAFETY RECOMMENDATIONS AND STANDARDS ISSUED BY THE POOL & HOT TUB COUNCIL, LOCAL AUTHORITIES AND EQUIPMENT MANUFACTURERS. PLEASE REFER TO DIVING BOARD MANUFACTURERS FOR CORRECT POSITIONING AND INSTALLATION OF DIVING EQUIPMENT.

EXTERNAL INSTALLATION DATA

AA TO:	BB TO:	CC TO:	DD TO:
AA --	AA 28'-0 7/8"	AA 14'-0"	AA 31'-4 1/2"
BB --	BB --	BB 31'-4 1/2"	BB 14'-0"
CC --	CC --	CC --	CC 28'-0 7/8"
A 14'-10 7/8"	A 26'-10 1/4"	A 5'-1 7/8"	A 22'-11 1/8"
B 25'-4"	B 15'-7 1/2"	B 21'-1 1/2"	B 6'-11 1/2"
C 22'-3 1/4"	C 9'-10 1/4"	C 22'-3 1/4"	C 9'-10 1/4"
D 10'-3 1/2"	D 24'-9 1/4"	D 7'-0 7/8"	D 23'-7 3/8"
E 6'-6 1/8"	E 23'-3 1/2"	E 11'-2 7/8"	E 25'-0 3/8"
F 15'-11 1/8"	F 12'-7 1/8"	F 19'-5 7/8"	F 16'-10 5/8"
SL 14'-11 5/8"	SL 13'-10 7/8"	SL 18'-0 5/8"	SL 17'-2 1/4"
SR 25'-4 3/8"	SR 15'-7 3/8"	SR 21'-1 7/8"	SR 6'-11 1/8"
DL 10'-7 1/2"	DL 21'-3 1/8"	DL 10'-7 1/2"	DL 21'-3 1/8"
DR 13'-7 1/4"	DR 22'-10 3/4"	DR 8'-6 1/2"	DR 20'-3 5/8"



NOTICE

SWIMMING POOLS AND ACCESSORIES (INCLUDING DIVING BOARDS) ARE DANGEROUS WHEN IMPROPERLY USED OR INSTALLED. IT IS THE RESPONSIBILITY OF MUNICIPAL OFFICIALS, BUILDERS AND POOL OWNERS TO ADHERE TO ALL SAFETY RECOMMENDATIONS AND STANDARDS ISSUED BY THE POOL & HOT TUB COUNCIL, LOCAL AUTHORITIES AND EQUIPMENT MANUFACTURERS. PLEASE REFER TO DIVING BOARD MANUFACTURERS FOR CORRECT POSITIONING AND INSTALLATION OF DIVING EQUIPMENT.

HIGHBURY POOLS LTD

NASSAU - LEFT 14 x 28

DRAWING REFERENCE #
30-14-28-1

DRAWN BY: BC
REV. 07 FEB 2007
SHEET 2 OF 2