

**MISCELLANEOUS INFORMATION**

PERIMETER:	91'
SURFACE AREA:	504 SQ FT
VOLUME:	13522 IMP GALS 61525 LITER

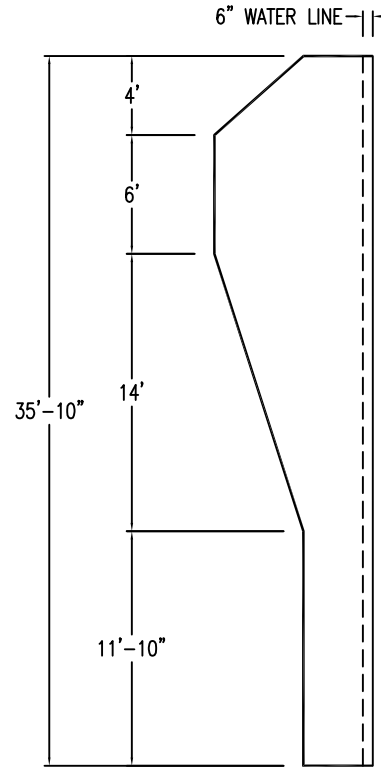
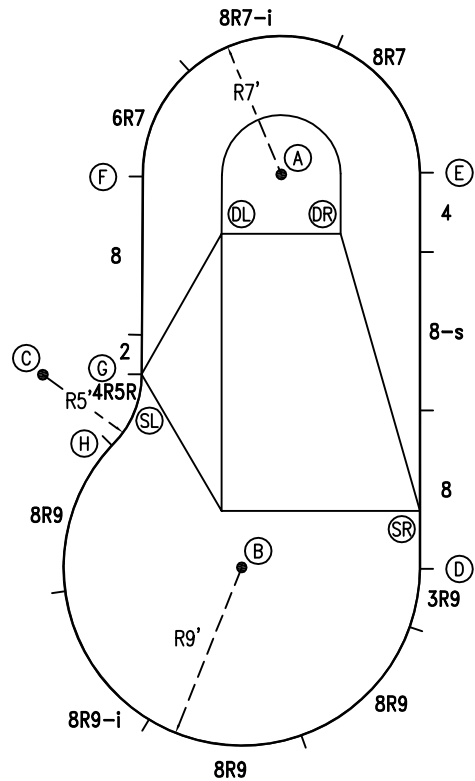
**CONCRETE DECK INFO**

WIDTH	AREA	NET INCREASES FOR:			
		STEPS	DIVING	SLIDE	ROLLER
2'	195	13	27	24	10
2'6"	247	17	31	20	10
3'	301	20	36	16	10

All Figures Represent "Sq Ft"

**PARTS LIST**

CODE	QTY	DESCRIPTION
8R9	3	8' Plain x 9' Radius
8R9-i	1	8' Return x 9' Radius
3R9	1	3' Plain x 9' Radius
8	2	8' Plain
8-s	1	8' Skimmer
4	1	4' Plain
8R7	1	8' Plain x 7' Radius
8R7-i	1	8' Return x 7' Radius
6R7	1	6' Plain x 7' Radius
2	1	2' Plain
4R5R	1	4' Plain x 5' Reverse Radius
AF	14	A-Frame
S	28	Stakes
NB	84	Nuts & Bolts

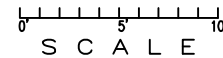


**INSTALLATION DATA**

From Point "A" to:-		From Point "B" to:-	
B	19'-11 1/4"	B	14'-0"
C	15'-8 3/4"	C	9'-0"
D	21'-1 1/4"	D	21'-10 1/2"
E	7'-0"	E	20'-4 1/2"
F	7'-0"	F	10'-11 3/4"
G	12'-3 3/4"	G	9'-0"
H	16'-1 3/4"	H	10'-11 3/4"
SL	12'-3 3/4"	SL	9'-5 1/4"
SR	18'-4 1/2"	SR	16'-10 1/2"
DL	4'-3"	DL	17'-6 3/4"
DR	4'-2 3/4"	DR	

18'

\*ALL DIMENSIONS ARE FINISHED



**NOTICE**

SWIMMING POOLS AND ACCESSORIES (INCLUDING DIVING BOARDS) ARE DANGEROUS WHEN IMPROPERLY USED OR INSTALLED. IT IS THE RESPONSIBILITY OF MUNICIPAL OFFICIALS, BUILDERS AND POOL OWNERS TO ADHERE TO ALL SAFETY RECOMMENDATIONS AND STANDARDS ISSUED BY THE POOL & HOT TUB COUNCIL, LOCAL AUTHORITIES AND EQUIPMENT MANUFACTURERS. PLEASE REFER TO DIVING BOARD MANUFACTURERS FOR CORRECT POSITIONING AND INSTALLATION OF DIVING EQUIPMENT.

HIGHBURY POOLS LTD

NASSAU - LEFT 14 x 18 x 36

DRAWING REFERENCE #  
30-14-36-1

DRAWN BY: JK  
REV. 11 JUL 13  
SHEET 1 OF 2

