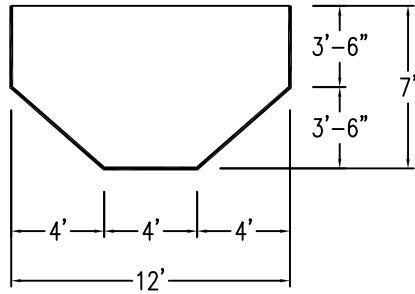


MISCELLANEOUS INFORMATION

PERIMETER:-	77'2
SURFACE AREA:	369.2 SQ FT
VOLUME:	9763 IMP GALS 44421 L

PARTS LIST

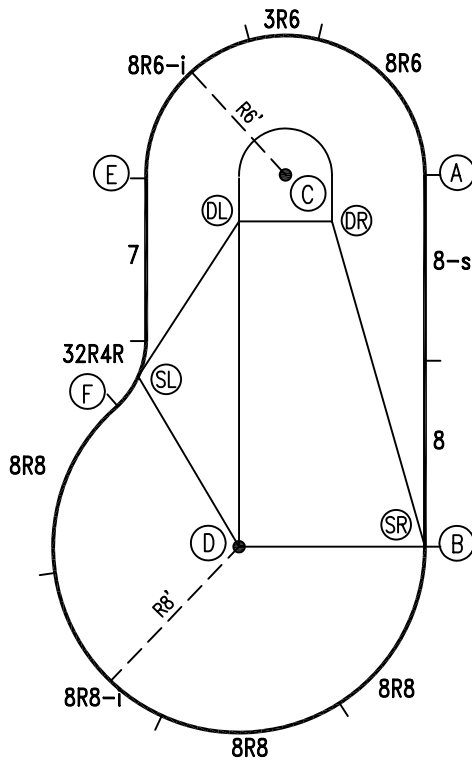
CODE	QTY	DESCRIPTION
8-s	1	8' Skimmer
8R6-i	1	8' Return x 6' Radius
8R8-i	1	8' Return x 8' Radius
8R8	3	8' Plain x 8' Radius
8R6	1	8' Plain x 6' Radius
3R6	1	3' Plains x 6' Radius
8	1	8' Plain
7	1	7' Plain
32R4R	1	3'2" Plain x 4' Reverse Rad
AF	11	A-Frame
S	22	Stake
NB	66	Nuts & Bolts



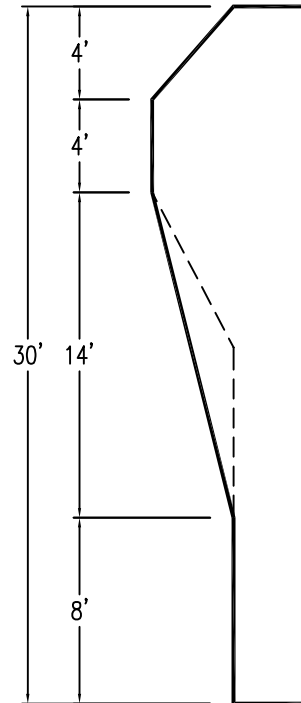
CONCRETE DECK INFO

WIDTH	AREA	NET INCREASES FOR:			
		STEPS	DIVING	SLIDE	ROLLER
2'	167	13	27	24	10
2'6"	213	17	31	20	10
3'	260	20	36	16	10

All Figures Represent "Sq Ft"



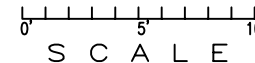
6" WATER LINE - I I -



INSTALLATION DATA

From Point "A" to:-		From Point "B" to:-	
B	16'-0"	B	17'-1"
C	6'-0"	C	17'-1"
D	17'-10 5/8"	D	8'-0"
E	12'-0"	E	19'-10 1/2"
F	16'-6 5/8"	F	14'-6 5/8"
SL	15'-0 7/8"	SL	14'-4 1/4"
SR	16'-0"	SR	0'-0"
DL	8'-2 7/8"	DL	16'-1 1/2"
DR	4'-5 5/8"	DR	14'-6 3/4"

*ALL DIMENSIONS ARE FINISHED

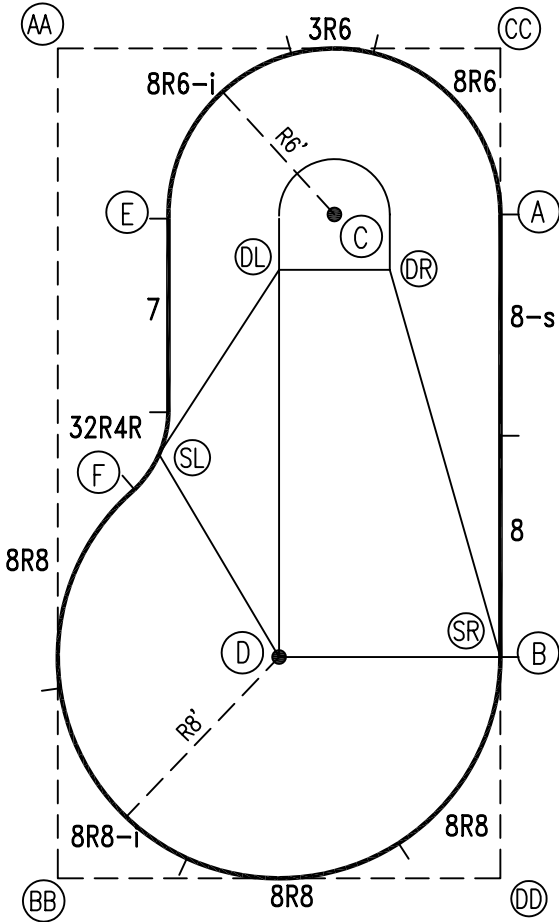


NOTICE

SWIMMING POOLS AND ACCESSORIES (INCLUDING DIVING BOARDS) ARE DANGEROUS WHEN IMPROPERLY USED OR INSTALLED. IT IS THE RESPONSIBILITY OF MUNICIPAL OFFICIALS, BUILDERS AND POOL OWNERS TO ADHERE TO ALL SAFETY RECOMMENDATIONS AND STANDARDS ISSUED BY THE POOL & HOT TUB COUNCIL, LOCAL AUTHORITIES AND EQUIPMENT MANUFACTURERS. PLEASE REFER TO DIVING BOARD MANUFACTURERS FOR CORRECT POSITIONING AND INSTALLATION OF DIVING EQUIPMENT.

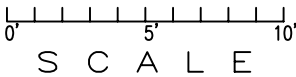
EXTERNAL INSTALLATION DATA

AA TO:	BB TO:	CC TO:	DD TO:
AA ---	AA 30'-0"	AA 16'-0"	AA 34'-0"
BB ---	BB ---	BB 34'-0"	BB 16'-0"
CC ---	CC ---	CC ---	CC 30'-0"
A 17'-1"	A 28'-10 1/8"	A 6'-0"	A 24'-0"
B 27'-2 3/8"	B 17'-10 5/8"	B 22'-0"	B 8'-0"
C 11'-7 7/8"	C 26'-0"	C 8'-5 7/8"	C 24'-8 7/8"
D 23'-4 7/8"	D 11'-3 3/4"	D 23'-4 7/8"	D 11'-3 3/4"
E 7'-4"	E 24'-2 1/4"	E 13'-5 3/4"	E 26'-8 3/8"
F 16'-2 1/4"	F 14'-3 7/8"	F 20'-8 5/8"	F 19'-3 5/8"
G 15'-1 1/2"	G 15'-9 1/8"	G 19'-2"	G 19'-8 1/8"
H 27'-2 3/8"	H 17'-10 5/8"	H 22'-0"	H 8'-0"
J 11'-3 3/4"	J 23'-4 7/8"	J 11'-3 3/4"	J 23'-4 7/8"
K 14'-5 1/8"	K 25'-0 3/4"	K 8'-11 3/8"	K 22'-4 3/8"
SL 15'-1 1/2"	SL 15'-9 1/8"	SL 19'-2"	SL 19'-8 1/8"
SR 27'-2 3/8"	SR 17'-10 5/8"	SR 22'-0"	SR 8'-0"
DL 11'-3 3/4"	DL 23'-4 7/8"	DL 11'-3 3/4"	DL 23'-4 7/8"
DR 14'-5 1/8"	DR 25'-0 3/4"	DR 8'-11 3/8"	DR 22'-4 3/8"



NOTICE

SWIMMING POOLS AND ACCESSORIES (INCLUDING DIVING BOARDS) ARE DANGEROUS WHEN IMPROPERLY USED OR INSTALLED. IT IS THE RESPONSIBILITY OF MUNICIPAL OFFICIALS, BUILDERS AND POOL OWNERS TO ADHERE TO ALL SAFETY RECOMMENDATIONS AND STANDARDS ISSUED BY THE POOL & HOT TUB COUNCIL, LOCAL AUTHORITIES AND EQUIPMENT MANUFACTURERS. PLEASE REFER TO DIVING BOARD MANUFACTURERS FOR CORRECT POSITIONING AND INSTALLATION OF DIVING EQUIPMENT.



HIGHBURY POOLS LTD

NASSAU - LEFT

16 x 30

DRAWING REFERENCE #
30-16-30-1

DRAWN BY: BC
REV. 11 DEC 2006
SHEET 2 OF 2