

### MISCELLANEOUS INFORMATION

PERIMETER:-	81'2"
SURFACE AREA:	393.2 SQ FT
VOLUME:	12711 IMP GALS 57835 L

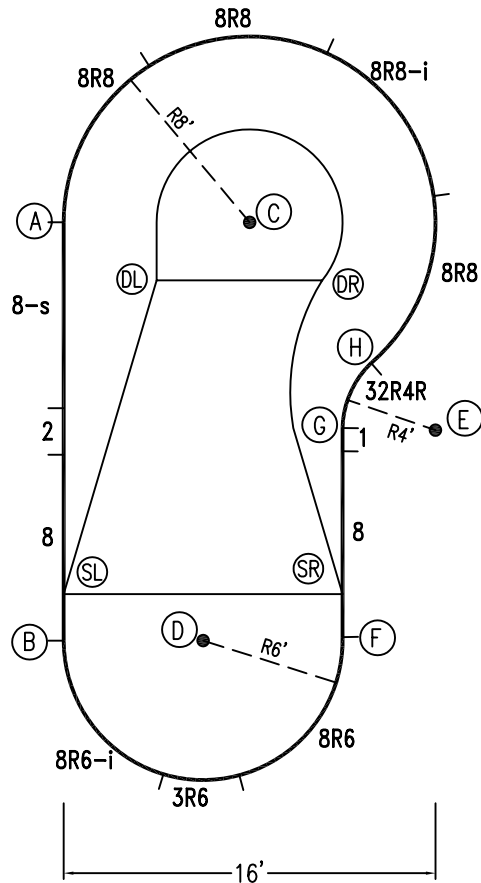
### CONCRETE DECK INFO

WIDTH	AREA	NET INCREASES FOR:			
		STEPS	DIVING	SLIDE	ROLLER
2'	175	13	27	24	10
2'6"	223	17	31	20	10
3'	272	20	36	16	10

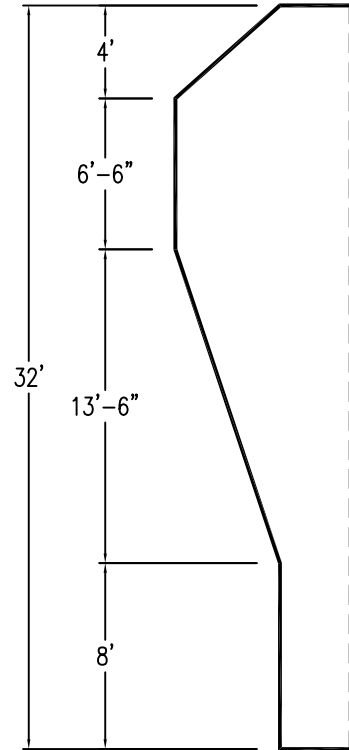
All Figures Represent "Sq Ft"

### PARTS LIST

CODE	QTY	DESCRIPTION
8-s	1	8' Skimmer
8R8-i	1	8' Return x 8' Radius
8R6-i	1	8' Return x 6' Radius
8R8	3	8' Plain x 8' Radius
8R6	1	8' Plain x 6' Radius
3R6	1	3' Plain x 6' Radius
32R4R	1	3'2" Plain x 4' Reverse Rad
8	2	8' Plain
2	1	2' Plain
1	1	1' Plain
AF	13	A-Frame
S	26	Stake
NB	78	Nuts & Bolts



6" WATER LINE - - -



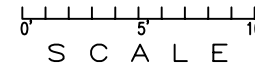
\*ALL DIMENSIONS ARE FINISHED

### INSTALLATION DATA

From Point "A" to:-		From Point "B" to:-	
B	18'-0"	B	
C	8'-0"	C	19'-8 3/8"
D	18'-11 5/8"	D	6'-0"
E	18'-3 7/8"	E	18'-4 5/8"
F	21'-6 1/8"	F	12'-0"
G	14'-10 7/8"	G	15'-1 1/8"
H	14'-6 5/8"	H	17'-9 7/8"
SR	20'-0"	SR	12'-1 7/8"
SL	16'-0"	SL	2'-0"
DR	11'-4 3/4"	DR	19'-0 7/8"
DL	4'-8 5/8"	DL	16'-0 1/8"

### NOTICE

SWIMMING POOLS AND ACCESSORIES (INCLUDING DIVING BOARDS) ARE DANGEROUS WHEN IMPROPERLY USED OR INSTALLED. IT IS THE RESPONSIBILITY OF MUNICIPAL OFFICIALS, BUILDERS AND POOL OWNERS TO ADHERE TO ALL SAFETY RECOMMENDATIONS AND STANDARDS ISSUED BY THE POOL & HOT TUB COUNCIL, LOCAL AUTHORITIES AND EQUIPMENT MANUFACTURERS. PLEASE REFER TO DIVING BOARD MANUFACTURERS FOR CORRECT POSITIONING AND INSTALLATION OF DIVING EQUIPMENT.



HIGHBURY POOLS LTD

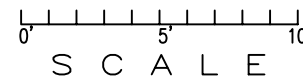
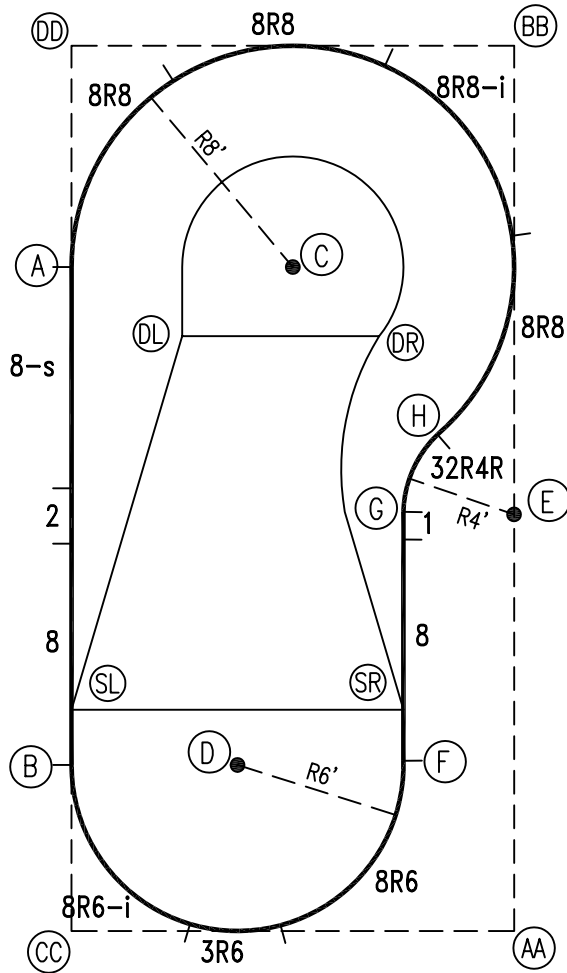
NASSAU - RIGHT (HR) 16 x 32

DRAWING REFERENCE #  
30-16-32-4

DRAWN BY: BC  
REV. 11 DEC 2006  
SHEET 1 OF 2

### EXTERNAL INSTALLATION DATA

AA TO:	BB TO:	CC TO:	DD TO:
AA ---	AA 32'-0"	AA 16'-0"	AA 35'-9 3/8"
BB ---	BB ---	BB 35'-9 3/8"	BB 16'-0"
CC ---	CC ---	CC ---	CC 32'-0"
A 28'-10 1/8"	A 17'-10 5/8"	A 24'-0"	A 8'-0"
B 17'-1"	B 30'-6 3/8"	B 6'-0"	B 26'-0"
C 25'-3 5/8"	C 11'-3 3/4"	C 25'-3 5/8"	C 11'-3 3/4"
D 11'-7 7/8"	D 27'-10 1/4"	D 8'-5 7/8"	D 26'-8 1/4"
E 15'-0 3/4"	E 16'-11 1/4"	E 21'-11 5/8"	E 23'-3 5/8"
F 7'-4"	F 26'-1 7/8"	F 13'-5 3/4"	F 28'-5 7/8"
G 15'-8"	G 17'-3 3/4"	G 19'-3 7/8"	G 20'-8 1/4"
H 18'-1 7/8"	H 14'-3 7/8"	H 22'-3 1/2"	H 19'-3 5/8"
SR 8'-11 3/8"	SR 24'-3 7/8"	SR 14'-5"	SR 26'-9 7/8"
SL 17'-10 5/8"	SL 28'-10 1/8"	SL 8'-0"	SL 24'-0"
DR 22'-0 1/2"	DR 11'-6 7/8"	DR 24'-2 1/2"	DR 15'-3 1/2"
DL 24'-7 1/2"	DL 15'-11 3/8"	DL 21'-10 3/8"	DL 11'-2 7/8"



### NOTICE

SWIMMING POOLS AND ACCESSORIES (INCLUDING DIVING BOARDS) ARE DANGEROUS WHEN IMPROPERLY USED OR INSTALLED. IT IS THE RESPONSIBILITY OF MUNICIPAL OFFICIALS, BUILDERS AND POOL OWNERS TO ADHERE TO ALL SAFETY RECOMMENDATIONS AND STANDARDS ISSUED BY THE POOL & HOT TUB COUNCIL, LOCAL AUTHORITIES AND EQUIPMENT MANUFACTURERS. PLEASE REFER TO DIVING BOARD MANUFACTURERS FOR CORRECT POSITIONING AND INSTALLATION OF DIVING EQUIPMENT.

**HIGHBURY POOLS LTD**

NASSAU - RIGHT (HR)16 x 32

DRAWING REFERENCE #  
30-16-32-4

DRAWN BY: BC  
REV. 11 DEC 2006  
SHEET 2 OF 2