

MISCELLANEOUS INFORMATION

PERIMETER:	101'
SURFACE AREA:	627 SQ FT
VOLUME:	17082 IMP GALS 77723 LITER

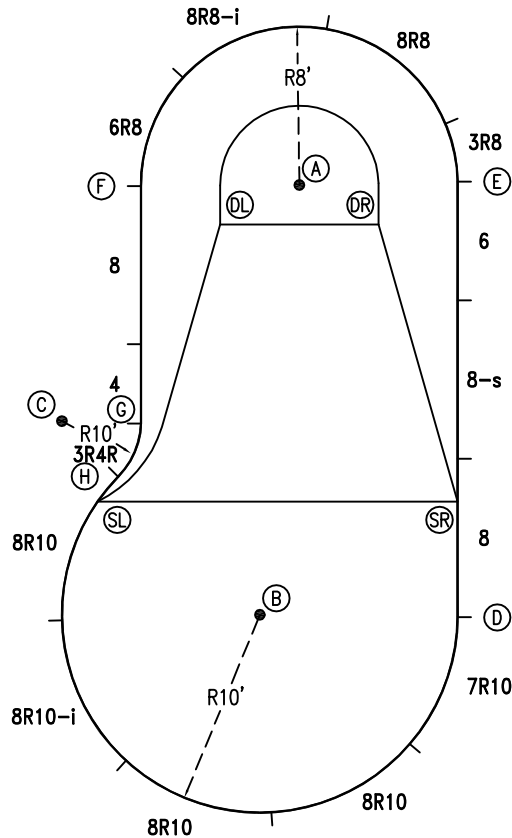
CONCRETE DECK INFO

WIDTH	AREA	NET INCREASES FOR:			
		STEPS	DIVING	SLIDE	ROLLER
2'	215	13	27	24	10
2'6"	273	17	31	20	10
3'	332	20	36	16	10

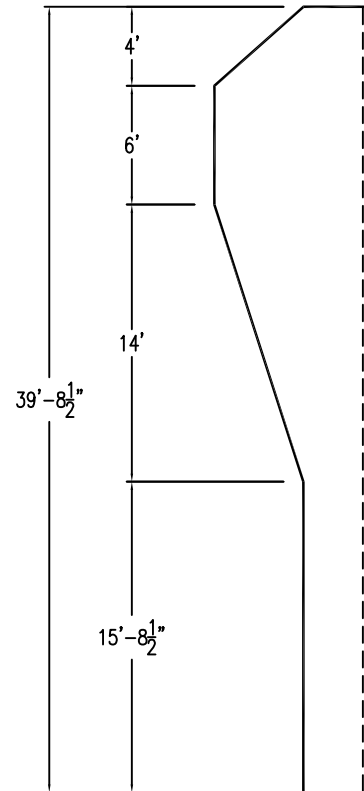
All Figures Represent "Sq Ft"

PARTS LIST

CODE	QTY	DESCRIPTION
8R10	3	8' Plain x 10' Radius
8R10-i	1	8' Return x 10' Radius
7R10	1	7' Plain x 10' Radius
8	2	8' Plain
8-s	1	8' Skimmer
6	1	6' Plain
3R8	1	3' Plain x 8' Radius
8R8	1	8' Plain x 8' Radius
8R8-i	1	8' Return x 8' Radius
6R8	1	6' Plain x 8' Radius
4	1	4' Plain
3R4R	1	3' Plain x 4' Reverse Radius
AF	15	A-Frame
S	30	Stakes
NB	90	Nuts & Bolts



6" WATER LINE

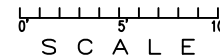


INSTALLATION DATA

From Point "A" to:-		From Point "B" to:-	
B	21'-9 1/2"	B	13'-11 3/4"
C	16'-10 3/4"	C	13'-11 3/4"
D	23'-2 3/4"	D	9'-11 3/4"
E	8'-0"	E	24'-0 3/4"
F	8'-0"	F	22'-5 3/4"
G	14'-5 1/2"	G	11'-4 1/2"
H	17'-4 1/4"	H	9'-11 3/4"
SL	18'-11 1/2"	SL	9'-11 3/4"
SR	17'-10 1/2"	SR	11'-6"
DL	4'-5 1/2"	DL	19'-9 3/4"
DR	4'-5 1/2"	DR	20'-7 1/4"

20'

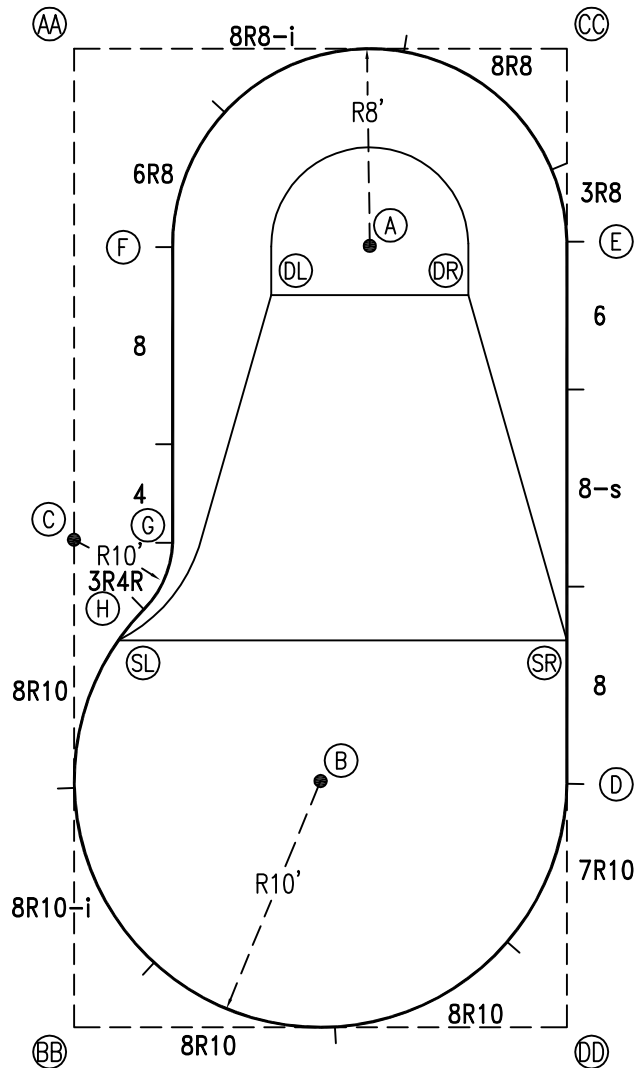
*ALL DIMENSIONS ARE FINISHED



NOTICE

SWIMMING POOLS AND ACCESSORIES (INCLUDING DIVING BOARDS) ARE DANGEROUS WHEN IMPROPERLY USED OR INSTALLED. IT IS THE RESPONSIBILITY OF MUNICIPAL OFFICIALS, BUILDERS AND POOL OWNERS TO ADHERE TO ALL SAFETY RECOMMENDATIONS AND STANDARDS ISSUED BY THE POOL & HOT TUB COUNCIL, LOCAL AUTHORITIES AND EQUIPMENT MANUFACTURERS. PLEASE REFER TO DIVING BOARD MANUFACTURERS FOR CORRECT POSITIONING AND INSTALLATION OF DIVING EQUIPMENT.

PERIMETER: 101'



EXTERNAL INSTALLATION DATA

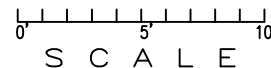
AA TO:	BB TO:	CC TO:	DD TO:
AA --	AA 39'-8 1/2"	AA 19'-11 3/4"	AA 44'-5 1/4"
BB --	BB --	BB 44'-5 1/4"	BB 19'-11 3/4"
CC --	CC --	CC --	CC 39'-8 1/2"
A 14'-4 3/4"	A 33'-10 3/4"	A 11'-3 3/4"	A 32'-8 1/4"
B 31'-4"	B 14'-1 1/2"	B 31'-4"	B 14'-1 1/2"
C 19'-11"	C 19'-9 1/4"	C 28'-2 3/4"	C 28'-1 1/2"
D 35'-10 3/4"	D 22'-3 1/2"	D 29'-9 3/4"	D 9'-10 1/2"
E 21'-5 1/2"	E 37'-7 1/2"	E 7'-9 3/4"	E 31'-10 1/2"
F 8'-11 3/4"	F 31'-10 3/4"	F 17'-10 3/4"	F 35'-5 1/2"
G 20'-5 1/4"	G 20'-0 3/4"	G 25'-7 3/4"	G 25'-4"
H 22'-10 3/4"	H 17'-2 1/4"	H 28'-5 3/4"	H 24'-1 1/2"
SL 24'-0 3/4"	SL 15'-9 1/2"	SL 30'-1 1/4"	SL 24'-0 1/4"
SR 31'-2 3/4"	SR 25'-5"	SR 24'-0"	SR 15'-8 1/2"
DL 12'-9 1/2"	DL 30'-9"	DL 15'-7 1/4"	DL 32'-0 1/4"
DR 18'-10 1/4"	DR 33'-8 3/4"	DR 10'-9 1/4"	DR 29'-11 1/2"

DIAGONALS

From Point "D" to:-	From Point "E" to:-
E 22'-0"	E
F 27'-0 1/4"	F 16'-0"
G 18'-8 7/8"	G 20'-1 5/8"
H 18'-6 3/4"	H 22'-8 3/4"

NOTICE

SWIMMING POOLS AND ACCESSORIES (INCLUDING DIVING BOARDS) ARE DANGEROUS WHEN IMPROPERLY USED OR INSTALLED. IT IS THE RESPONSIBILITY OF MUNICIPAL OFFICIALS, BUILDERS AND POOL OWNERS TO ADHERE TO ALL SAFETY RECOMMENDATIONS AND STANDARDS ISSUED BY THE POOL & HOT TUB COUNCIL, LOCAL AUTHORITIES AND EQUIPMENT MANUFACTURERS. PLEASE REFER TO DIVING BOARD MANUFACTURERS FOR CORRECT POSITIONING AND INSTALLATION OF DIVING EQUIPMENT.



HIGHBURY POOLS LTD

NASSAU - LEFT 16 x 20 x 40

DRAWING REFERENCE #
30-16-40-1

DRAWN BY: JK
REV. 20 AUG 13
SHEET 2 OF 2