

MISCELLANEOUS INFORMATION

PERIMETER:-	87'
SURFACE AREA:	476.1 SQ FT
VOLUME:	13769 IMP GALS 62649 L

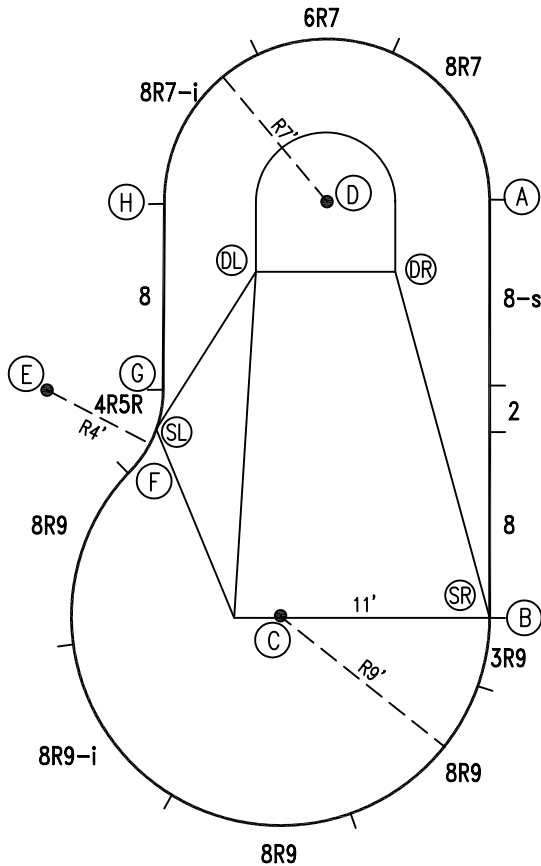
CONCRETE DECK INFO

WIDTH	AREA	NET INCREASES FOR:			
		STEPS	DIVING	SLIDE	ROLLER
2'	187	13	27	24	10
2'6"	237	17	31	20	10
3'	289	20	36	16	10

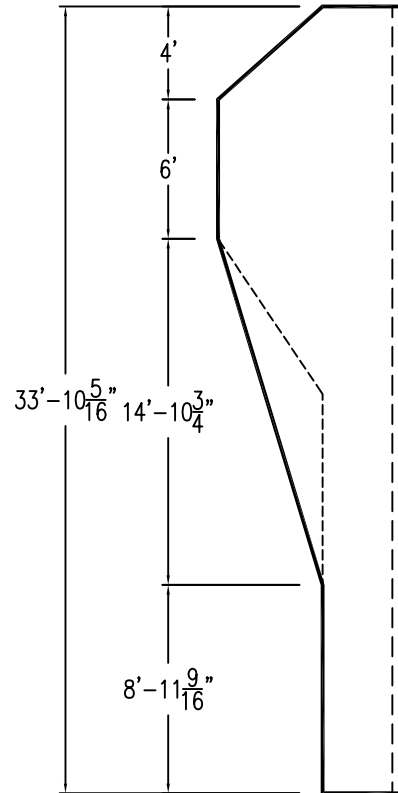
All Figures Represent "Sq Ft"

PARTS LIST

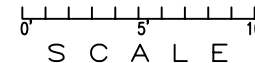
CODE	QTY	DESCRIPTION
8-s	1	8' Skimmer
8R9-i	1	8' Return x 9' Radius
8R7-i	1	8' Return x 7' Radius
8R9	3	8' Plain x 9' Radius
3R9	1	3' Plain x 9' Radius
8R7	1	8' Plain x 7' Radius
6R7	1	6' Plain x 7' Radius
4R5R	1	4' Plain x 5' Reverse Rad
8	2	8' Plain
2	1	2' Plain
AF	13	A-Frame
S	26	Stake
NB	78	Nuts & Bolts



6" WATER LINE - I I -



*ALL DIMENSIONS ARE FINISHED



INSTALLATION DATA

From Point "A" to:-		From Point "B" to:-	
B	18'-0"	B	
C	20'-0 1/2"	C	9'-0"
D	7'-0"	D	19'-2 7/8"
E	20'-8 7/8"	E	21'-5 1/8"
F	19'-6 1/8"	F	16'-9 1/8"
G	16'-3 1/8"	G	17'-1 3/4"
H	14'-0"	H	22'-7 7/8"
SL	17'-5 1/8"	SL	16'-5 7/8"
SR	18'-0"	SR	0'-0"
DL	10'-6 3/8"	DL	17'-11 5/8"
DR	5'-1 3/8"	DR	15'-5 1/4"

NOTICE

SWIMMING POOLS AND ACCESSORIES (INCLUDING DIVING BOARDS) ARE DANGEROUS WHEN IMPROPERLY USED OR INSTALLED. IT IS THE RESPONSIBILITY OF MUNICIPAL OFFICIALS, BUILDERS AND POOL OWNERS TO ADHERE TO ALL SAFETY RECOMMENDATIONS AND STANDARDS ISSUED BY THE POOL & HOT TUB COUNCIL, LOCAL AUTHORITIES AND EQUIPMENT MANUFACTURERS. PLEASE REFER TO DIVING BOARD MANUFACTURERS FOR CORRECT POSITIONING AND INSTALLATION OF DIVING EQUIPMENT.

HIGHBURY POOLS LTD

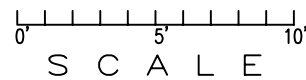
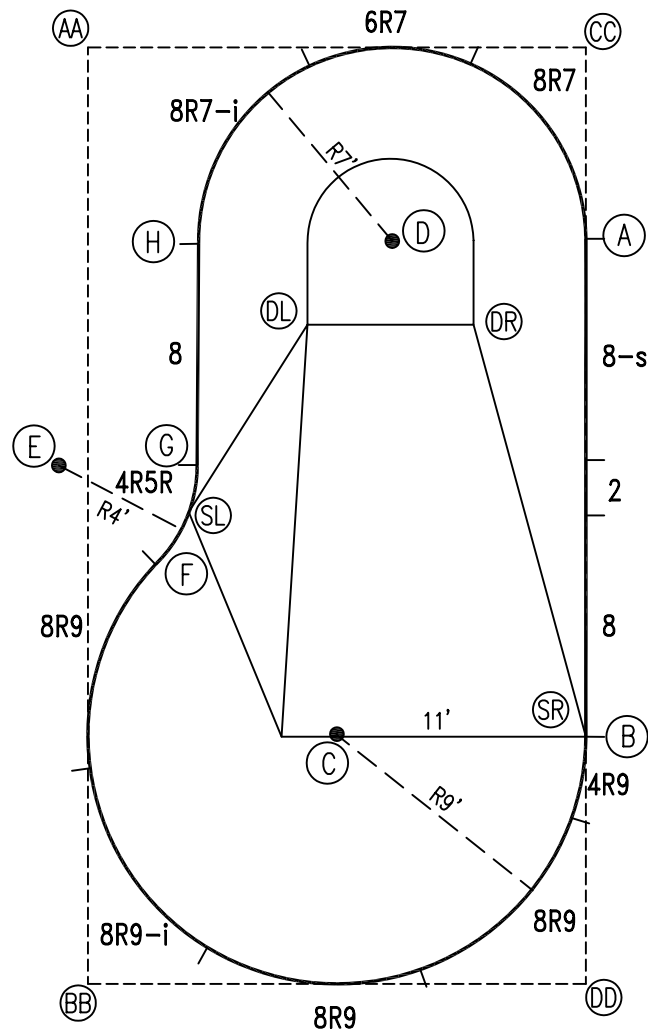
NASSAU - LEFT 18 x 34

DRAWING REFERENCE #
30-18-34-1

DRAWN BY: BC
REV. 07 FEB 2007
SHEET 1 OF 2

EXTERNAL INSTALLATION DATA

AA TO:	BB TO:	CC TO:	DD TO:
AA ---	AA 33'-10 1/4"	AA 18'-0"	AA 38'-4 1/8"
BB ---	BB ---	BB 38'-4 1/8"	BB 18'-0"
CC ---	CC ---	CC ---	CC 33'-10 1/4"
A 19'-3 3/8"	A 32'-4 3/4"	A 6'-10 7/8"	A 26'-11 1/4"
B 30'-8 7/8"	B 20'-1 1/8"	B 24'-10 7/8"	B 8'-11 1/4"
C 26'-5 1/8"	C 12'-8 3/4"	C 26'-5 1/8"	C 12'-8 3/4"
D 13'-0 1/2"	D 29'-0 1/4"	D 9'-10 3/4"	D 27'-8 7/8"
E 15'-1 3/4"	E 18'-9 1/4"	E 24'-3 3/4"	E 26'-8 3/4"
F 18'-10 1/8"	F 15'-4 3/8"	F 24'-3 3/4"	F 21'-8 3/4"
G 15'-7 1/4"	G 19'-1 7/8"	G 20'-7 1/2"	G 23'-5 1/4"
H 8'-1 3/4"	H 27'-0 5/8"	H 15'-8 3/8"	H 30'-2 3/8"
SL 17'-1 7/8"	SL 17'-5 3/4"	SL 22'-0 5/8"	SL 22'-3 5/8"
SR 30'-8 7/8"	SR 20'-1 1/8"	SR 24'-10 7/8"	SR 8'-11 1/4"
DL 12'-9 3/8"	DL 25'-1 3/8"	DL 14'-2 3/8"	DL 25'-10 3/8"
DR 17'-1 7/8"	DR 27'-7 1/4"	DR 10'-9 3/4"	DR 24'-2 1/8"



NOTICE

SWIMMING POOLS AND ACCESSORIES (INCLUDING DIVING BOARDS) ARE DANGEROUS WHEN IMPROPERLY USED OR INSTALLED. IT IS THE RESPONSIBILITY OF MUNICIPAL OFFICIALS, BUILDERS AND POOL OWNERS TO ADHERE TO ALL SAFETY RECOMMENDATIONS AND STANDARDS ISSUED BY THE POOL & HOT TUB COUNCIL, LOCAL AUTHORITIES AND EQUIPMENT MANUFACTURERS. PLEASE REFER TO DIVING BOARD MANUFACTURERS FOR CORRECT POSITIONING AND INSTALLATION OF DIVING EQUIPMENT.

HIGHBURY POOLS LTD

NASSAU - LEFT 18 x 34

DRAWING REFERENCE #
30-18-34-1

DRAWN BY: BC
REV. 07 FEB 2007
SHEET 2 OF 2