

MISCELLANEOUS INFORMATION

PERIMETER:-	87'
SURFACE AREA:	476.1 SQ FT
VOLUME:	13769 IMP GALS 62649 L

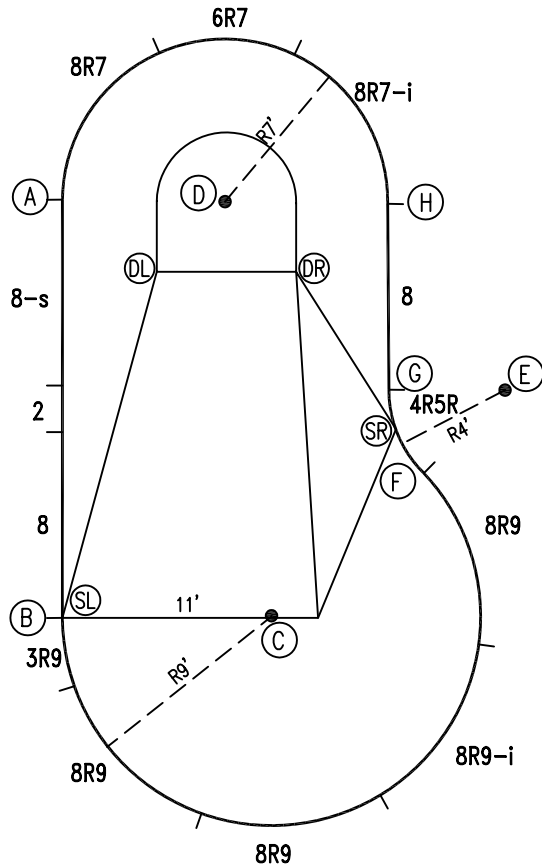
PARTS LIST

CODE	QTY	DESCRIPTION
8-s	1	8' Skimmer
8R9-i	1	8' Return x 9' Radius
8R7-i	1	8' Return x 7' Radius
8R9	3	8' Plain x 9' Radius
3R9	1	3' Plain x 9' Radius
8R7	1	8' Plain x 7' Radius
6R7	1	6' Plain x 7' Radius
4R5R	1	4' Plain x 5' Reverse Rad
8	2	8' Plain
2	1	2' Plain
AF	13	A-Frame
S	26	Stake
NB	78	Nuts & Bolts

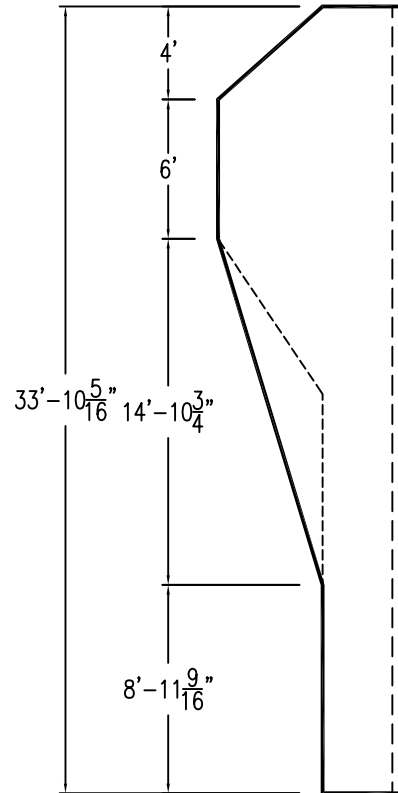
CONCRETE DECK INFO

WIDTH	AREA	NET INCREASES FOR:			
		STEPS	DIVING	SLIDE	ROLLER
2'	187	13	27	24	10
2'6"	237	17	31	20	10
3'	289	20	36	16	10

All Figures Represent "Sq Ft"



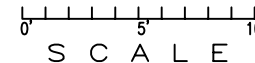
6" WATER LINE - - -



INSTALLATION DATA

From Point "A" to:-		From Point "B" to:-	
B	18'-0"	B	9'-0"
C	20'-0 1/2"	C	9'-0"
D	7'-0"	D	19'-2 7/8"
E	20'-8 7/8"	E	21'-5 1/8"
F	19'-6 1/8"	F	16'-9 1/8"
G	16'-3 1/8"	G	17'-1 3/4"
H	14'-0"	H	22'-7 7/8"
SR	17'-5 1/8"	SR	16'-5 7/8"
SL	18'-0"	SL	0'-0"
DR	10'-6 3/8"	DR	17'-11 5/8"
DL	5'-1 3/8"	DL	15'-5 1/4"

*ALL DIMENSIONS ARE FINISHED



NOTICE

SWIMMING POOLS AND ACCESSORIES (INCLUDING DIVING BOARDS) ARE DANGEROUS WHEN IMPROPERLY USED OR INSTALLED. IT IS THE RESPONSIBILITY OF MUNICIPAL OFFICIALS, BUILDERS AND POOL OWNERS TO ADHERE TO ALL SAFETY RECOMMENDATIONS AND STANDARDS ISSUED BY THE POOL & HOT TUB COUNCIL, LOCAL AUTHORITIES AND EQUIPMENT MANUFACTURERS. PLEASE REFER TO DIVING BOARD MANUFACTURERS FOR CORRECT POSITIONING AND INSTALLATION OF DIVING EQUIPMENT.

HIGHBURY POOLS LTD

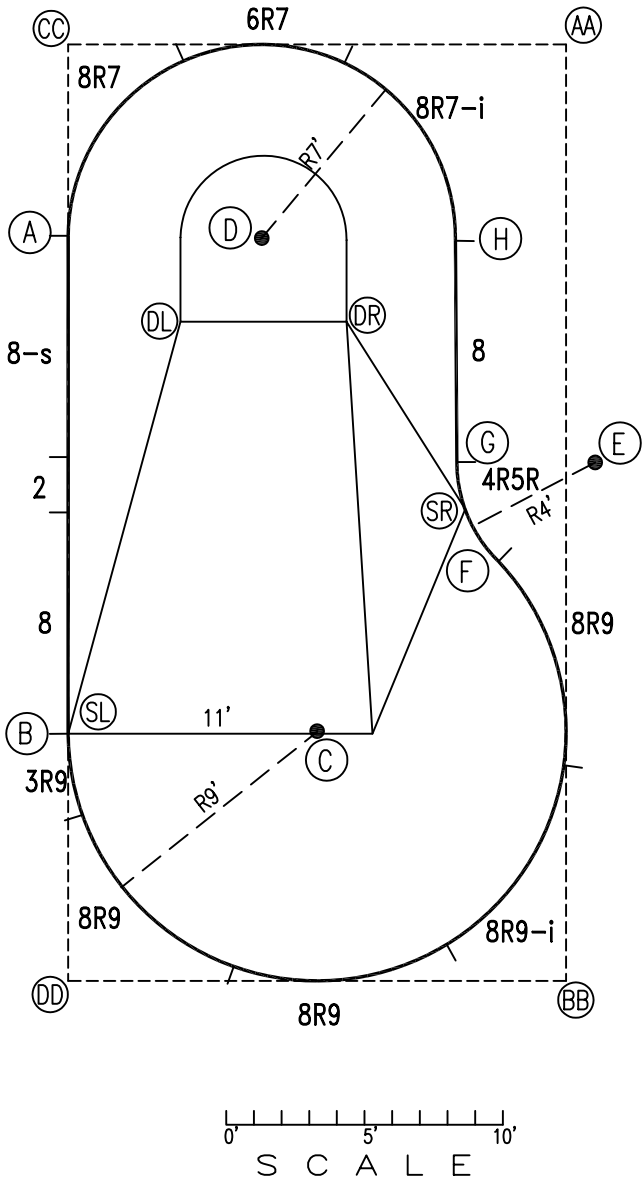
NASSAU - RIGHT 18 x 34

DRAWING REFERENCE #
30-18-34-2

DRAWN BY: BC
REV. 07 FEB 2007
SHEET 1 OF 2

EXTERNAL INSTALLATION DATA

AA TO:	BB TO:	CC TO:	DD TO:
AA ---	AA 33'-10 1/4"	AA 18'-0"	AA 38'-4 1/8"
BB ---	BB ---	BB 38'-4 1/8"	BB 18'-0"
CC ---	CC ---	CC ---	CC 33'-10 1/4"
A 19'-3 3/8"	A 32'-4 3/4"	A 6'-10 7/8"	A 26'-11 1/4"
B 30'-8 7/8"	B 20'-1 1/8"	B 24'-10 7/8"	B 8'-11 1/4"
C 26'-5 1/8"	C 12'-8 3/4"	C 26'-5 1/8"	C 12'-8 3/4"
D 13'-0 1/2"	D 29'-0 1/4"	D 9'-10 3/4"	D 27'-8 7/8"
E 15'-1 3/4"	E 18'-9 1/4"	E 24'-3 3/4"	E 26'-8 3/4"
F 18'-10 1/8"	F 15'-4 3/8"	F 24'-3 3/4"	F 21'-8 3/4"
G 15'-7 1/4"	G 19'-1 7/8"	G 20'-7 1/2"	G 23'-5 1/4"
H 8'-1 3/4"	H 27'-0 5/8"	H 15'-8 3/8"	H 30'-2 3/8"
SR 17'-1 7/8"	SR 17'-5 3/4"	SR 22'-0 5/8"	SR 22'-3 5/8"
SL 30'-8 7/8"	SL 20'-1 1/8"	SL 24'-10 7/8"	SL 8'-11 1/4"
DR 12'-9 3/8"	DR 25'-1 3/8"	DR 14'-2 3/8"	DR 25'-10 3/8"
DL 17'-1 7/8"	DL 27'-7 1/4"	DL 10'-9 3/4"	DL 24'-2 1/8"



NOTICE

SWIMMING POOLS AND ACCESSORIES (INCLUDING DIVING BOARDS) ARE DANGEROUS WHEN IMPROPERLY USED OR INSTALLED. IT IS THE RESPONSIBILITY OF MUNICIPAL OFFICIALS, BUILDERS AND POOL OWNERS TO ADHERE TO ALL SAFETY RECOMMENDATIONS AND STANDARDS ISSUED BY THE POOL & HOT TUB COUNCIL, LOCAL AUTHORITIES AND EQUIPMENT MANUFACTURERS. PLEASE REFER TO DIVING BOARD MANUFACTURERS FOR CORRECT POSITIONING AND INSTALLATION OF DIVING EQUIPMENT.

HIGHBURY POOLS LTD

NASSAU - RIGHT 18 x 34

DRAWING REFERENCE #
30-18-34-2

DRAWN BY: BC
REV. 07 FEB 2007
SHEET 2 OF 2