

MISCELLANEOUS INFORMATION

PERIMETER:-	91'
SURFACE AREA:	504.1 SQ FT
VOLUME:	14687 IMP GALS 66826 L

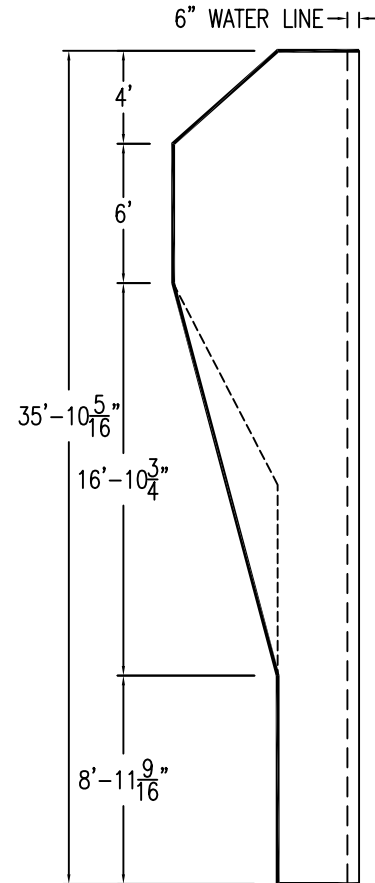
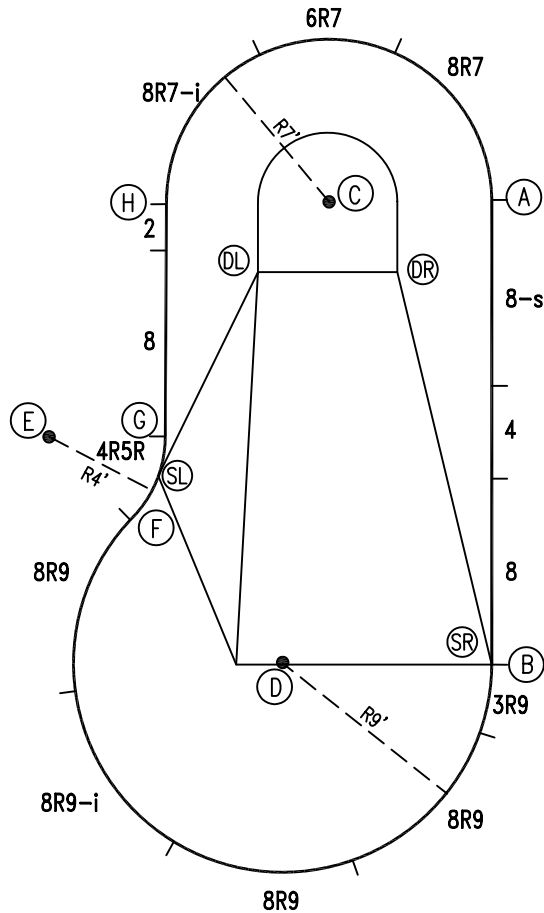
CONCRETE DECK INFO

WIDTH	AREA	NET INCREASES FOR:			
		STEPS	DIVING	SLIDE	ROLLER
2'	195	13	27	24	10
2'6"	247	17	31	20	10
3'	301	20	36	16	10

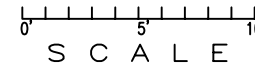
All Figures Represent "Sq Ft"

PARTS LIST

CODE	QTY	DESCRIPTION
8-s	1	8' Skimmer
8R9-i	1	8' Return x 9' Radius
8R7-i	1	8' Return x 7' Radius
8R9	3	8' Plain x 9' Radius
3R9	1	3' Plain x 9' Radius
8R7	1	8' Plain x 7' Radius
6R7	1	6' Plain x 7' Radius
4R5R	1	4' Plain x 5' Reverse Rad
8	2	8' Plain
4	1	4' Plain
2	1	2' Plain
AF	14	A-Frame
S	28	Stake
NB	84	Nuts & Bolts



*ALL DIMENSIONS ARE FINISHED



INSTALLATION DATA

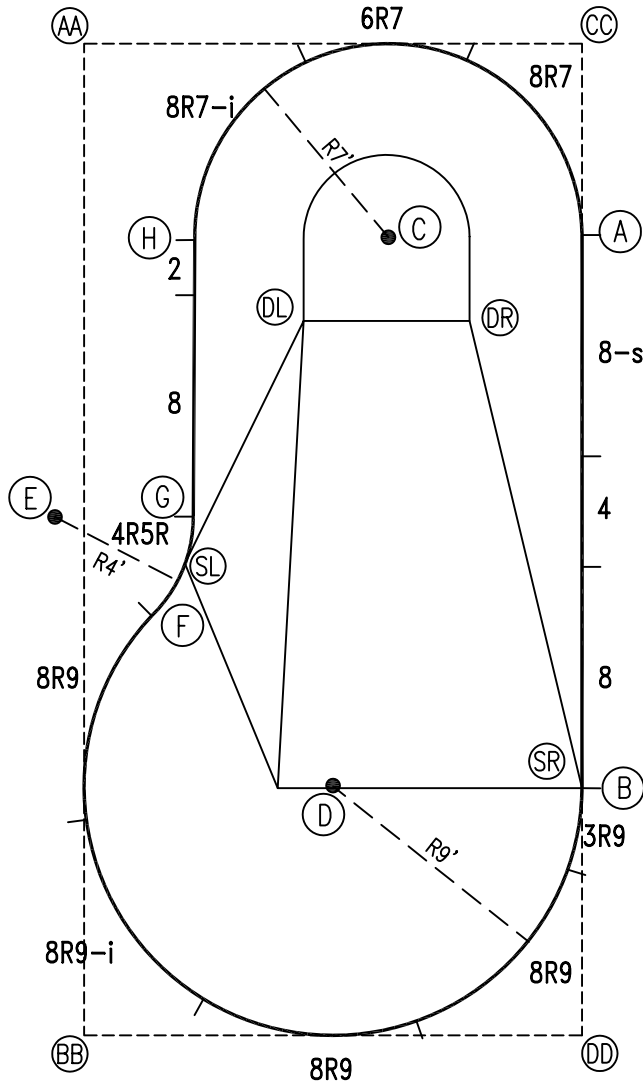
From Point "A" to:-		From Point "B" to:-	
B	20'-0"	B	
C	7'-0"	C	21'-1 3/8"
D	21'-10 1/8"	D	9'-0"
E	21'-7 1/4"	E	21'-5 1/8"
F	20'-9 3/8"	F	16'-9 1/8"
G	17'-4 1/4"	G	17'-1 3/4"
H	14'-0"	H	24'-3 1/8"
SL	18'-7 5/8"	SL	16'-5 3/4"
SR	20'-0"	SR	0'-0"
DL	10'-6 3/8"	DL	19'-7 7/8"
DR	5'-1 3/8"	DR	17'-4 1/2"

NOTICE

SWIMMING POOLS AND ACCESSORIES (INCLUDING DIVING BOARDS) ARE DANGEROUS WHEN IMPROPERLY USED OR INSTALLED. IT IS THE RESPONSIBILITY OF MUNICIPAL OFFICIALS, BUILDERS AND POOL OWNERS TO ADHERE TO ALL SAFETY RECOMMENDATIONS AND STANDARDS ISSUED BY THE POOL & HOT TUB COUNCIL, LOCAL AUTHORITIES AND EQUIPMENT MANUFACTURERS. PLEASE REFER TO DIVING BOARD MANUFACTURERS FOR CORRECT POSITIONING AND INSTALLATION OF DIVING EQUIPMENT.

EXTERNAL INSTALLATION DATA

AA TO:	BB TO:	CC TO:	DD TO:
AA ---	AA 35'-10 1/4"	AA 18'-0"	AA 40'-1 3/8"
BB ---	BB ---	BB 40'-1 3/8"	BB 18'-0"
CC ---	CC ---	CC ---	CC 35'-10 1/4"
A 19'-3 3/8"	A 34'-0 7/8"	A 6'-10 7/8"	A 28'-11 1/4"
B 32'-4 1/2"	B 20'-1 1/8"	B 26'-10 7/8"	B 8'-11 1/4"
C 13'-0 1/2"	C 30'-10 1/2"	C 9'-10 3/4"	C 29'-8 1/4"
D 28'-3 1/2"	D 12'-8 7/8"	D 28'-3 1/2"	D 12'-8 7/8"
E 17'-1 3/4"	E 18'-9 1/4"	E 25'-7 1/4"	E 26'-8 3/4"
F 20'-9 7/8"	F 15'-4 3/8"	F 25'-10 5/8"	F 21'-8 3/4"
G 17'-6 1/2"	G 19'-1 7/8"	G 22'-1 1/2"	G 23'-5 1/4"
H 8'-1 3/4"	H 29'-0 3/8"	H 15'-8 3/8"	H 31'-11 3/4"
SL 19'-1 7/8"	SL 17'-5 1/8"	SL 23'-7 7/8"	SL 22'-3 3/8"
SR 32'-4 1/2"	SR 20'-1 1/8"	SR 26'-10 7/8"	SR 8'-11 1/4"
DL 12'-9 3/8"	DL 27'-0 1/4"	DL 14'-2 3/8"	DL 27'-8 5/8"
DR 17'-1 7/8"	DR 29'-4 1/4"	DR 10'-9 3/4"	DR 26'-1 3/4"



0' 5' 10'
SCALE

NOTICE

SWIMMING POOLS AND ACCESSORIES (INCLUDING DIVING BOARDS) ARE DANGEROUS WHEN IMPROPERLY USED OR INSTALLED. IT IS THE RESPONSIBILITY OF MUNICIPAL OFFICIALS, BUILDERS AND POOL OWNERS TO ADHERE TO ALL SAFETY RECOMMENDATIONS AND STANDARDS ISSUED BY THE POOL & HOT TUB COUNCIL, LOCAL AUTHORITIES AND EQUIPMENT MANUFACTURERS. PLEASE REFER TO DIVING BOARD MANUFACTURERS FOR CORRECT POSITIONING AND INSTALLATION OF DIVING EQUIPMENT.

HIGHBURY POOLS LTD

NASSAU - LEFT 18 x 36

DRAWING REFERENCE #
30-18-36-1

DRAWN BY: BC
REV. 07 FEB 2007
SHEET 2 OF 2