

MISCELLANEOUS INFORMATION

PERIMETER:-	101' 2"
SURFACE AREA:	628.9 SQ FT
VOLUME:	16997 IMP GALS 77336 L

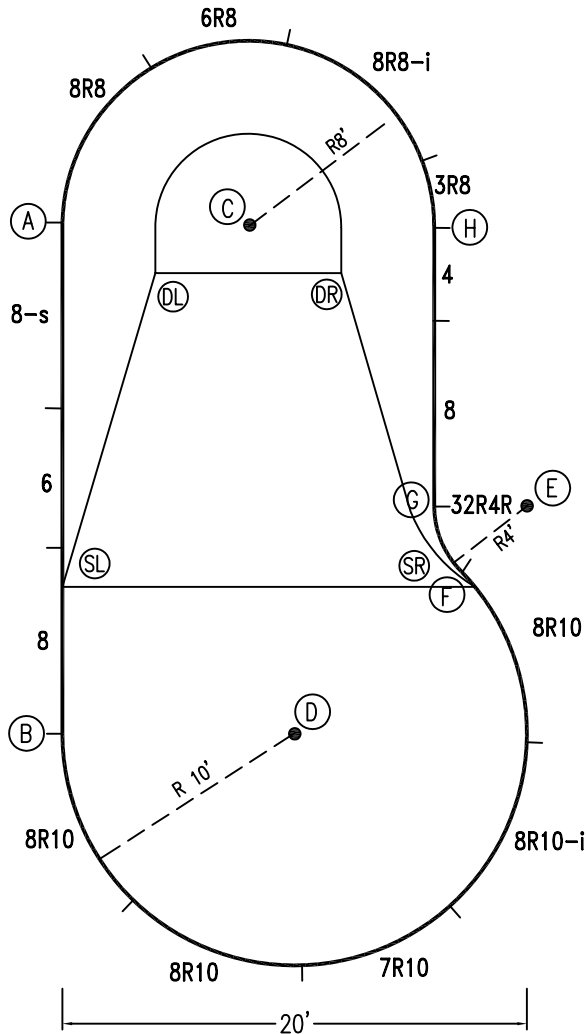
CONCRETE DECK INFO

WIDTH	AREA	NET INCREASES FOR:			
		STEPS	DIVING	SLIDE	ROLLER
2'	216	13	27	24	10
2'6"	273	17	31	20	10
3'	333	20	36	16	10

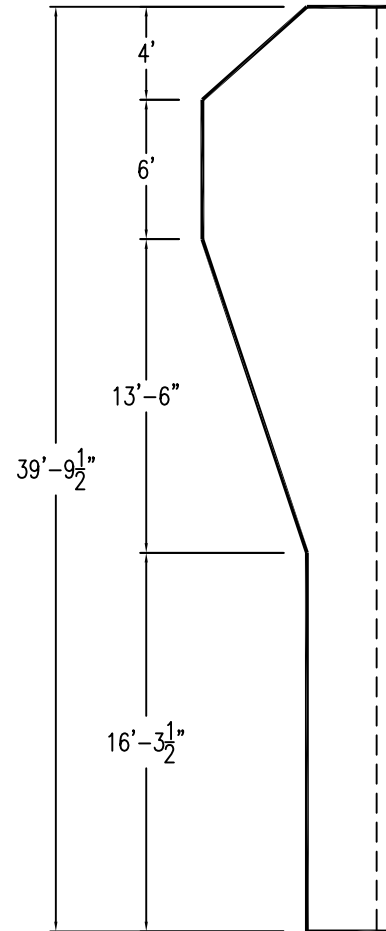
All Figures Represent "Sq Ft"

PARTS LIST

CODE	QTY	DESCRIPTION
8-s	1	8' Skimmer
8R8-i	1	8' Return x 8' Radius
8R10-i	1	8' Return x 10' Radius
8R10	3	8' Plain x 10' Radius
7R10	1	7' Plain x 10' Radius
8R8	1	8' Plain x 8' Radius
6R8	1	6' Plain x 8' Radius
3R8	1	3' Plain x 8' Radius
32R4R	1	3'2 Plain x 4' Reverse Rad
8	2	8' Plain
6	1	6' Plain
4	1	4' Plain
AF	15	A-Frame
S	30	Stake
NB	90	Nuts & Bolts



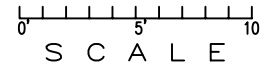
6" WATER LINE - I-I -



INSTALLATION DATA

From Point "A" to:-		From Point "B" to:-	
B	22'-0"	B	23'-3 7/8"
C	8'-0 3/4"	C	10'-0"
D	24'-1 7/8"	D	22'-3 1/4"
E	23'-5 1/8"	E	18'-6 5/8"
F	22'-10 3/8"	F	18'-8 7/8"
G	20'-1 5/8"	G	27'-0 1/4"
H	16'-0"	H	18'-10 1/8"
SR	23'-8 1/4"	SL	6'-3 7/8"
SL	15'-8 1/8"	DR	23'-2 1/8"
DR	12'-2 3/8"	DL	20'-2 5/8"
DL	4'-6 5/8"		

*ALL DIMENSIONS ARE FINISHED

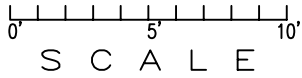
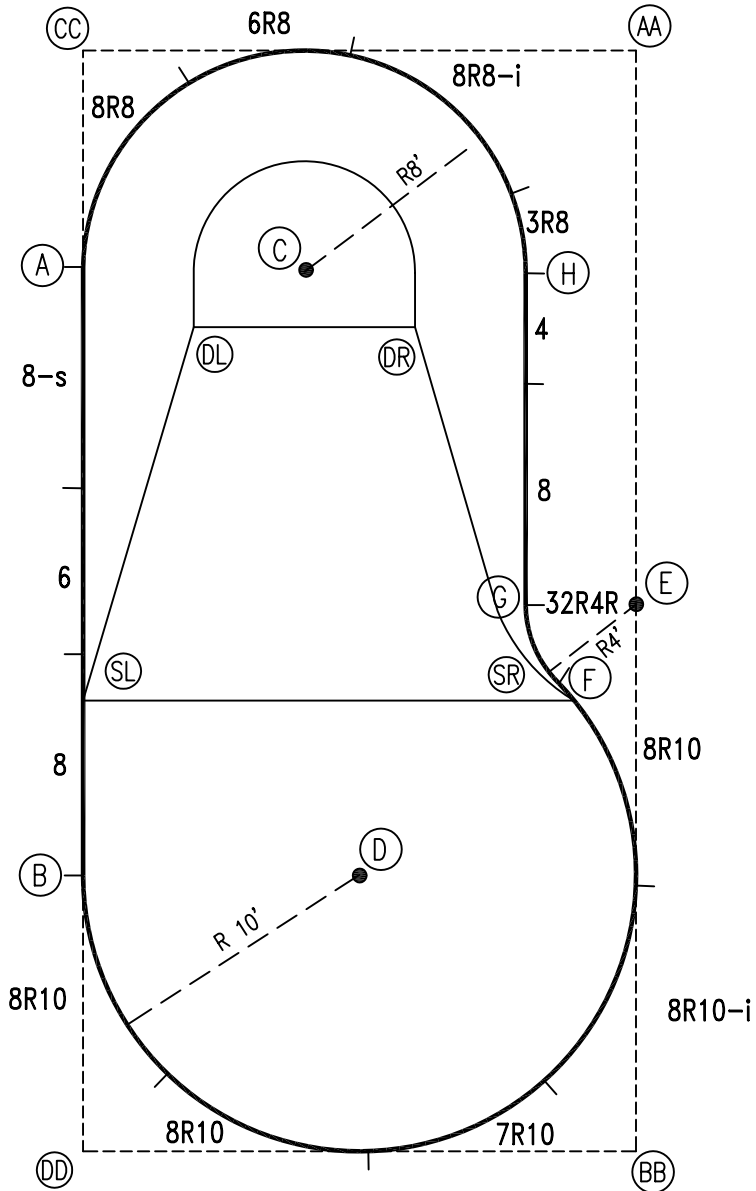


NOTICE

SWIMMING POOLS AND ACCESSORIES (INCLUDING DIVING BOARDS) ARE DANGEROUS WHEN IMPROPERLY USED OR INSTALLED. IT IS THE RESPONSIBILITY OF MUNICIPAL OFFICIALS, BUILDERS AND POOL OWNERS TO ADHERE TO ALL SAFETY RECOMMENDATIONS AND STANDARDS ISSUED BY THE POOL & HOT TUB COUNCIL, LOCAL AUTHORITIES AND EQUIPMENT MANUFACTURERS. PLEASE REFER TO DIVING BOARD MANUFACTURERS FOR CORRECT POSITIONING AND INSTALLATION OF DIVING EQUIPMENT.

EXTERNAL INSTALLATION DATA

AA TO:	BB TO:	CC TO:	DD TO:
AA ---	AA 39'-9 1/2"	AA 19'-11 7/8"	AA 44'-6 3/8"
BB ---	BB ---	BB 44'-6 3/8"	BB 19'-11 7/8"
CC ---	CC ---	CC ---	CC 39'-9 1/2"
A 21'-5 5/8"	A 37'-8 1/2"	A 7'-9 7/8"	A 31'-11 5/8"
B 35'-10 7/8"	B 22'-4"	B 29'-9 7/8"	B 9'-11 5/8"
C 14'-3 7/8"	C 34'-0 1/4"	C 11'-3 3/4"	C 32'-10 3/8"
D 31'-5 3/8"	D 14'-1 3/8"	D 31'-5 1/2"	D 14'-1 1/2"
E 20'-0 1/8"	E 19'-9 3/8"	E 28'-3 1/2"	E 28'-1 1/2"
F 23'-0 1/2"	F 17'-1 3/4"	F 28'-7 1/2"	F 24'-1 1/2"
G 20'-5 1/4"	G 20'-1 3/4"	G 25'-7 3/4"	G 25'-4 7/8"
H 8'-11 3/4"	H 31'-11 7/8"	H 17'-10 7/8"	H 35'-6 5/8"
SR 23'-7 1/4"	SR 16'-5 3/8"	SR 29'-5 1/2"	SR 24'-1 1/8"
SL 30'-10 1/4"	SL 25'-9 1/2"	SL 23'-6"	SL 16'-3 1/2"
DR 12'-9 5/8"	DR 30'-10 1/8"	DR 15'-7 1/2"	DR 32'-1 3/8"
DL 18'-10 1/4"	DL 33'-9 3/4"	DL 10'-9 1/4"	DL 30'-0 3/4"



NOTICE

SWIMMING POOLS AND ACCESSORIES (INCLUDING DIVING BOARDS) ARE DANGEROUS WHEN IMPROPERLY USED OR INSTALLED. IT IS THE RESPONSIBILITY OF MUNICIPAL OFFICIALS, BUILDERS AND POOL OWNERS TO ADHERE TO ALL SAFETY RECOMMENDATIONS AND STANDARDS ISSUED BY THE POOL & HOT TUB COUNCIL, LOCAL AUTHORITIES AND EQUIPMENT MANUFACTURERS. PLEASE REFER TO DIVING BOARD MANUFACTURERS FOR CORRECT POSITIONING AND INSTALLATION OF DIVING EQUIPMENT.