

MISCELLANEOUS INFORMATION

PERIMETER:	68'
SURFACE AREA:	319 SQ FT
VOLUME:	8690 IMP GALS 39540 LITER

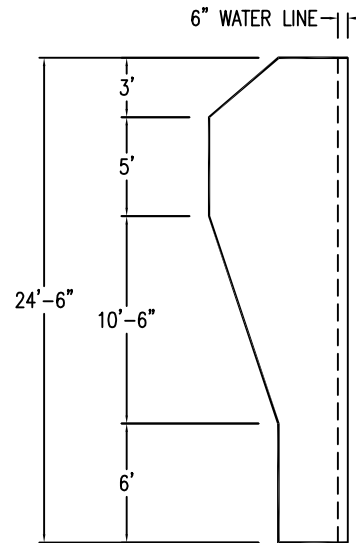
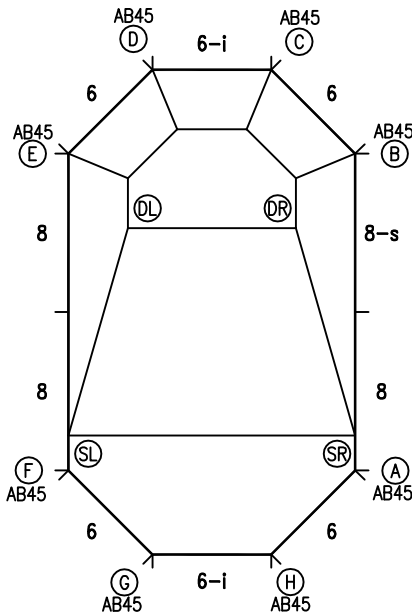
CONCRETE DECK INFO

WIDTH	AREA	NET INCREASES FOR:			
		STEPS	DIVING	SLIDE	ROLLER
2'	149	13	27	24	10
2'6"	190	17	31	20	10
3'	233	20	36	16	10

All Figures Represent "Sq Ft"

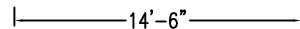
PARTS LIST

CODE	QTY	DESCRIPTION
6	4	6' Plain
AB45	8	45 Degree Angle Bracket
8	3	8' Plain
8-s	1	8' Skimmer
6-i	2	6' Return
AF	2	A-Frame
S	12	Stakes
NB	52	Nuts & Bolts

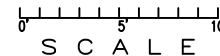


INSTALLATION DATA

From Point "A" to:-		From Point "B" to:-	
B	16'-0"	B	6'-0"
C	20'-8 1/4"	C	6'-0"
D	22'-8 1/4"	D	11'-1"
E	21'-6 3/4"	E	14'-5 3/4"
F	14'-5 3/4"	F	21'-6 3/4"
G	11'-1"	G	22'-8 1/4"
H	6'-0"	H	20'-8 1/4"
SL	14'-7"	SL	20'-3 3/4"
SR	1'-9"	SR	14'-2 3/4"
DL	16'-9 1/2"	DL	12'-1"
DR	12'-7 1/4"	DR	4'-9 3/4"



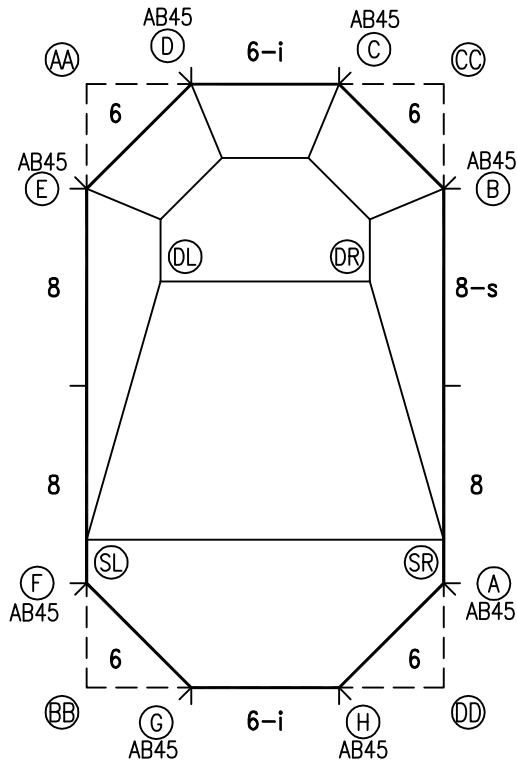
*ALL DIMENSIONS ARE FINISHED



NOTICE

SWIMMING POOLS AND ACCESSORIES (INCLUDING DIVING BOARDS) ARE DANGEROUS WHEN IMPROPERLY USED OR INSTALLED. IT IS THE RESPONSIBILITY OF MUNICIPAL OFFICIALS, BUILDERS AND POOL OWNERS TO ADHERE TO ALL SAFETY RECOMMENDATIONS AND STANDARDS ISSUED BY THE POOL & HOT TUB COUNCIL, LOCAL AUTHORITIES AND EQUIPMENT MANUFACTURERS. PLEASE REFER TO DIVING BOARD MANUFACTURERS FOR CORRECT POSITIONING AND INSTALLATION OF DIVING EQUIPMENT.

PERIMETER: 68'

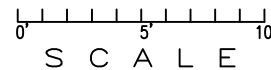


EXTERNAL INSTALLATION DATA

AA TO:	BB TO:	CC TO:	DD TO:
AA --	AA 24'-5 3/4"	AA 14'-5 3/4"	AA 28'-5 1/4"
BB --	BB --	BB 28'-5 1/4"	BB 14'-5 3/4"
CC --	CC --	CC --	CC 24'-5 3/4"
A 24'-10 3/4"	A 15'-1"	A 20'-2 3/4"	A 4'-2 3/4"
B 15'-1"	B 24'-10 3/4"	B 4'-2 3/4"	B 20'-2 3/4"
C 10'-2 3/4"	C 26'-6 1/2"	C 4'-2 3/4"	C 24'-10 1/4"
D 4'-2 3/4"	D 24'-10 1/4"	D 10'-2 3/4"	D 26'-6 1/2"
E 4'-2 3/4"	E 20'-2 3/4"	E 15'-1"	E 24'-10 3/4"
F 20'-2 3/4"	F 4'-2 3/4"	F 24'-10 3/4"	F 15'-1"
G 24'-10 1/4"	G 4'-2 3/4"	G 26'-6 1/2"	G 10'-2 3/4"
H 26'-6 1/2"	H 10'-2 3/4"	H 24'-10 1/4"	H 4'-2 3/4"
SL 18'-5 3/4"	SL 6'-0"	SL 23'-5 3/4"	SL 15'-8"
SR 23'-5 3/4"	SR 15'-8"	SR 18'-5 3/4"	SR 6'-0"
DL 8'-6 1/2"	DL 16'-9"	DL 14'-0"	DL 20'-1"
DR 14'-0"	DR 20'-1"	DR 8'-6 1/2"	DR 16'-9"

NOTICE

SWIMMING POOLS AND ACCESSORIES (INCLUDING DIVING BOARDS) ARE DANGEROUS WHEN IMPROPERLY USED OR INSTALLED. IT IS THE RESPONSIBILITY OF MUNICIPAL OFFICIALS, BUILDERS AND POOL OWNERS TO ADHERE TO ALL SAFETY RECOMMENDATIONS AND STANDARDS ISSUED BY THE POOL & HOT TUB COUNCIL, LOCAL AUTHORITIES AND EQUIPMENT MANUFACTURERS. PLEASE REFER TO DIVING BOARD MANUFACTURERS FOR CORRECT POSITIONING AND INSTALLATION OF DIVING EQUIPMENT.



HIGHBURY POOLS LTD

OCTAGONAL - 14 x 24

DRAWING REFERENCE #
45-14-24-1

DRAWN BY: JK
REV. 16 JUL 13
SHEET 2 OF 2