

MISCELLANEOUS INFORMATION

PERIMETER:	84'
SURFACE AREA:	435 SQ FT
VOLUME:	12811 IMP GALS 58290 LITER

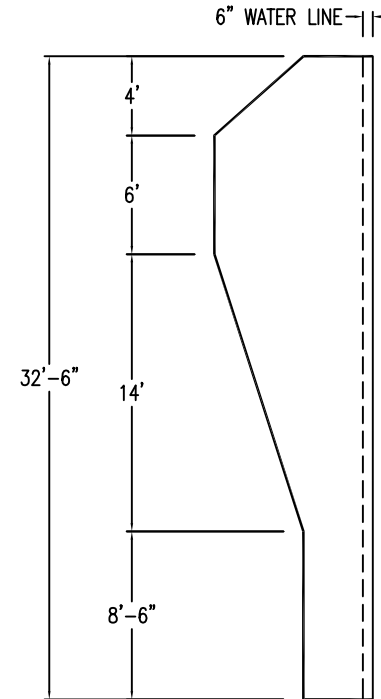
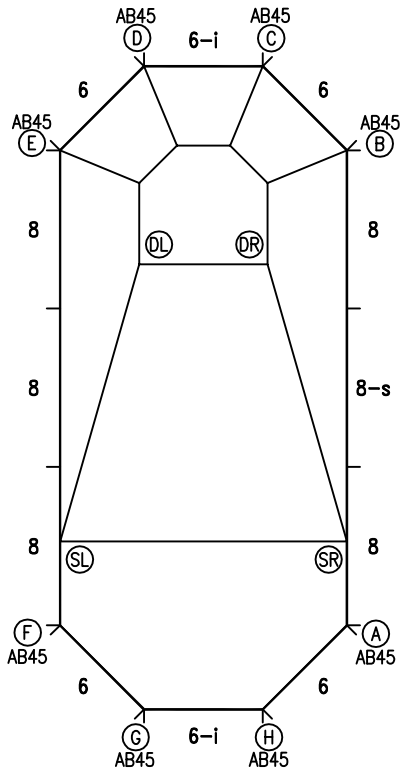
PARTS LIST

CODE	QTY	DESCRIPTION
6	4	6' Plain
AB45	8	45 Degree Angle Bracket
8	5	8' Plain
8-s	1	8' Skimmer
6-i	2	6' Return
AF	4	A-Frame
S	16	Stakes
NB	64	Nuts & Bolts

CONCRETE DECK INFO

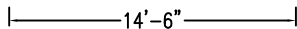
WIDTH	AREA	NET INCREASES FOR:			
		STEPS	DIVING	SLIDE	ROLLER
2'	181	13	27	24	10
2'6"	230	17	31	20	10
3'	281	20	36	16	10

All Figures Represent "Sq Ft"

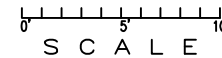


INSTALLATION DATA

From Point "A" to:-		From Point "B" to:-	
B	24'-0"	B	6'-0"
C	28'-6 3/4"	C	6'-0"
D	30'-0 1/2"	D	11'-1"
E	28'-0 1/4"	E	14'-5 3/4"
F	14'-5 3/4"	F	28'-0 1/4"
G	11'-1"	G	30'-0 1/2"
H	6'-0"	H	28'-6 3/4"
SL	15'-1"	SL	24'-5 3/4"
SR	4'-2 3/4"	SR	19'-9"
DL	21'-0 1/2"	DL	11'-11 1/2"
DR	18'-8"	DR	7'-0"



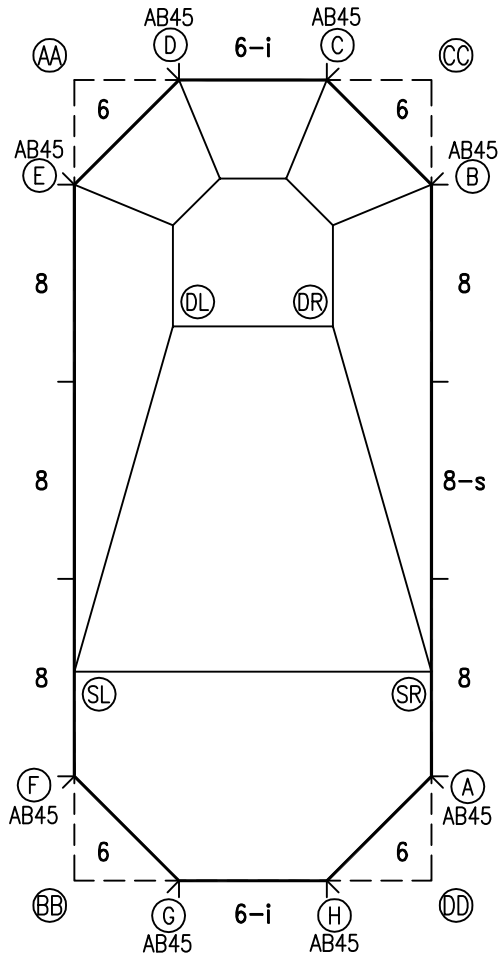
*ALL DIMENSIONS ARE FINISHED



NOTICE

SWIMMING POOLS AND ACCESSORIES (INCLUDING DIVING BOARDS) ARE DANGEROUS WHEN IMPROPERLY USED OR INSTALLED. IT IS THE RESPONSIBILITY OF MUNICIPAL OFFICIALS, BUILDERS AND POOL OWNERS TO ADHERE TO ALL SAFETY RECOMMENDATIONS AND STANDARDS ISSUED BY THE POOL & HOT TUB COUNCIL, LOCAL AUTHORITIES AND EQUIPMENT MANUFACTURERS. PLEASE REFER TO DIVING BOARD MANUFACTURERS FOR CORRECT POSITIONING AND INSTALLATION OF DIVING EQUIPMENT.

PERIMETER: 84'

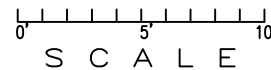


EXTERNAL INSTALLATION DATA

AA TO:	BB TO:	CC TO:	DD TO:
AA ---	AA 32'-5 3/4"	AA 14'-5 3/4"	AA 35'-6 3/4"
BB ---	BB ---	BB 35'-6 3/4"	BB 14'-5 3/4"
CC ---	CC ---	CC ---	CC 32'-5 3/4"
A 31'-8 3/4"	A 15'-1"	A 28'-2 3/4"	A 4'-2 3/4"
B 15'-1"	B 31'-8 3/4"	B 4'-2 3/4"	B 28'-2 3/4"
C 10'-2 3/4"	C 34'-0 3/4"	C 4'-2 3/4"	C 32'-9"
D 4'-2 3/4"	D 32'-9"	D 10'-2 3/4"	D 34'-0 3/4"
E 4'-2 3/4"	E 28'-2 3/4"	E 15'-1"	E 31'-8 3/4"
F 28'-2 3/4"	F 4'-2 3/4"	F 31'-8 3/4"	F 15'-1"
G 32'-9"	G 4'-2 3/4"	G 34'-0 3/4"	G 10'-2 3/4"
H 34'-0 3/4"	H 10'-2 3/4"	H 32'-9"	H 4'-2 3/4"
SL 24'-0"	SL 8'-5 3/4"	SL 28'-0 1/4"	SL 16'-9 1/2"
SR 28'-0 1/4"	SR 16'-9 1/2"	SR 24'-0"	SR 8'-5 3/4"
DL 10'-9 1/4"	DL 22'-10"	DL 14'-5 3/4"	DL 24'-9 3/4"
DR 14'-5 3/4"	DR 24'-9 3/4"	DR 10'-9 1/4"	DR 22'-10"

NOTICE

SWIMMING POOLS AND ACCESSORIES (INCLUDING DIVING BOARDS) ARE DANGEROUS WHEN IMPROPERLY USED OR INSTALLED. IT IS THE RESPONSIBILITY OF MUNICIPAL OFFICIALS, BUILDERS AND POOL OWNERS TO ADHERE TO ALL SAFETY RECOMMENDATIONS AND STANDARDS ISSUED BY THE POOL & HOT TUB COUNCIL, LOCAL AUTHORITIES AND EQUIPMENT MANUFACTURERS. PLEASE REFER TO DIVING BOARD MANUFACTURERS FOR CORRECT POSITIONING AND INSTALLATION OF DIVING EQUIPMENT.



HIGHBURY POOLS LTD

OCTAGONAL - 14 x 32

DRAWING REFERENCE #
45-14-32-1

DRAWN BY: JK
REV. 16 JUL 13
SHEET 2 OF 2