

MISCELLANEOUS INFORMATION

PERIMETER:-	76'0"
SURFACE AREA:	377.3 SQ FT
VOLUME:	9069 IMP GALS 41267 L

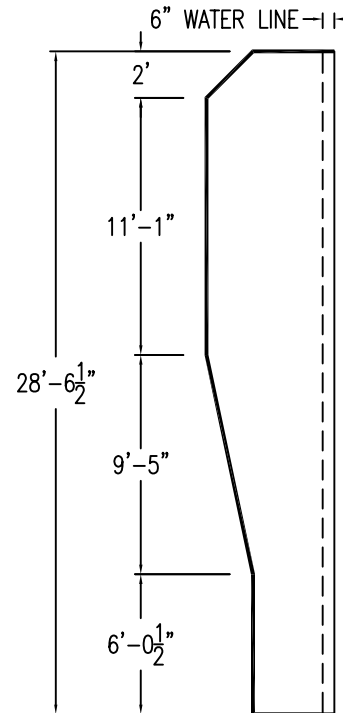
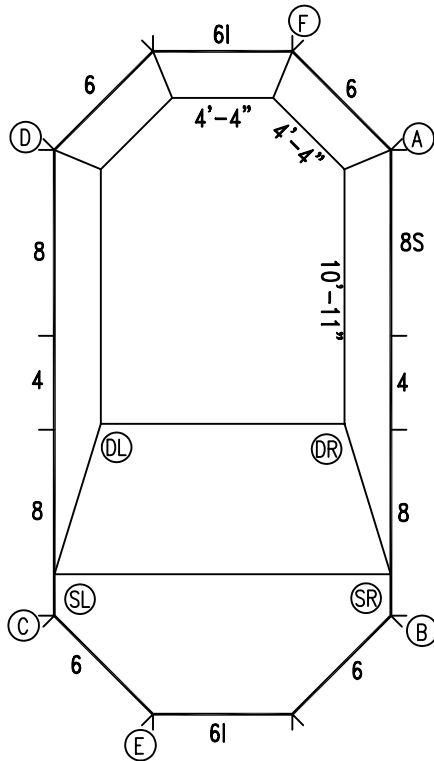
CONCRETE DECK INFO

WIDTH	AREA	NET INCREASES FOR:			
		STEPS	DIVING	SLIDE	ROLLER
2'	166	13	27	24	10
2'6"	211	17	31	20	10
3'	258	20	36	16	10

All Figures Represent "Sq Ft"

PARTS LIST

CODE	QTY	DESCRIPTION
8-s	1	8' Skimmer
6-i	2	6' Return
8	3	8' Panel
6	4	6' Panel
4	2	4' Panel
AB45	8	45 Degree Cnr Angles
AF	4	A-Frame
S	20	Stakes
NB	120	Nuts & Bolts



*ALL DIMENSIONS ARE FINISHED

INSTALLATION DATA

From Point "A" to:-		From Point "B" to:-	
B	20'-0 1/2"	B	14'-5 7/8"
C	24'-8 1/2"	C	24'-8 3/4"
D	14'-5 7/8"	D	11'-1"
E	26'-4 1/4"	E	24'-7 7/8"
F	6'-0"	F	14'-7"
SL	23'-3 5/8"	SR	1'-9 3/8"
SR	18'-3 1/8"	DL	14'-11 5/8"
DL	17'-2"	DR	8'-5 7/8"
DR	11'-11 1/2"		

NOTICE

SWIMMING POOLS AND ACCESSORIES (INCLUDING DIVING BOARDS) ARE DANGEROUS WHEN IMPROPERLY USED OR INSTALLED. IT IS THE RESPONSIBILITY OF MUNICIPAL OFFICIALS, BUILDERS AND POOL OWNERS TO ADHERE TO ALL SAFETY RECOMMENDATIONS AND STANDARDS ISSUED BY THE POOL & HOT TUB COUNCIL, LOCAL AUTHORITIES AND EQUIPMENT MANUFACTURERS. PLEASE REFER TO DIVING BOARD MANUFACTURERS FOR CORRECT POSITIONING AND INSTALLATION OF DIVING EQUIPMENT.

