

**MISCELLANEOUS INFORMATION**

PERIMETER:	80'
SURFACE AREA:	422 SQ FT
VOLUME:	11363 IMP GALS 51702 LITER

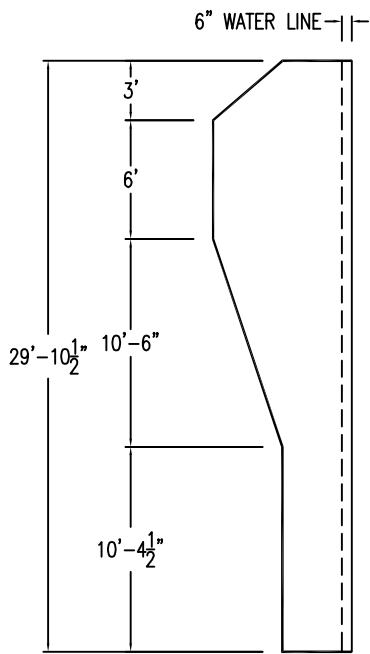
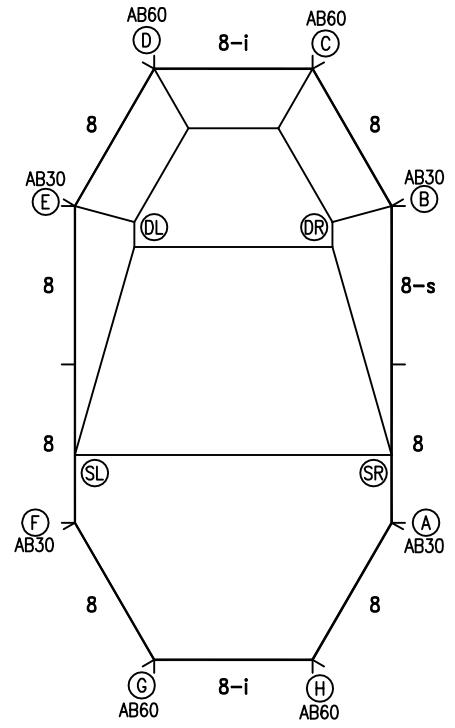
**PARTS LIST**

CODE	QTY	DESCRIPTION
8	7	8' Plain
AB60	4	60 Degree Angle Bracket
AB30	4	30 Degree Angle Bracket
8-s	1	8' Skimmer
8-i	2	8' Return
AF	2	A-Frame
S	12	Stakes
NB	52	Nuts & Bolts

**CONCRETE DECK INFO**

WIDTH	AREA	NET INCREASES FOR:			
		STEPS	DIVING	SLIDE	ROLLER
2'	174	13	27	24	10
2'6"	221	17	31	20	10
3'	271	20	36	16	10

All Figures Represent "Sq Ft"

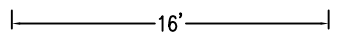


**INSTALLATION DATA**

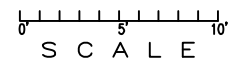
From Point "A" to:-		From Point "B" to:-	
B	16'-0"	B	8'-0"
C	23'-3 1/4"	C	13'-10 1/4"
D	25'-10 1/2"	D	16'-0"
E	22'-7 1/2"	E	22'-7 1/2"
F	16'-0"	F	25'-10 1/2"
G	13'-10 1/4"	G	23'-3 1/4"
H	8'-0"	H	20'-4"
SL	16'-4 1/4"	SL	12'-6 3/4"
SR	3'-5"	DL	13'-1 3/4"
DL	19'-0 1/2"	DR	3'-7 3/4"
DR	14'-2 3/4"		

**NOTICE**

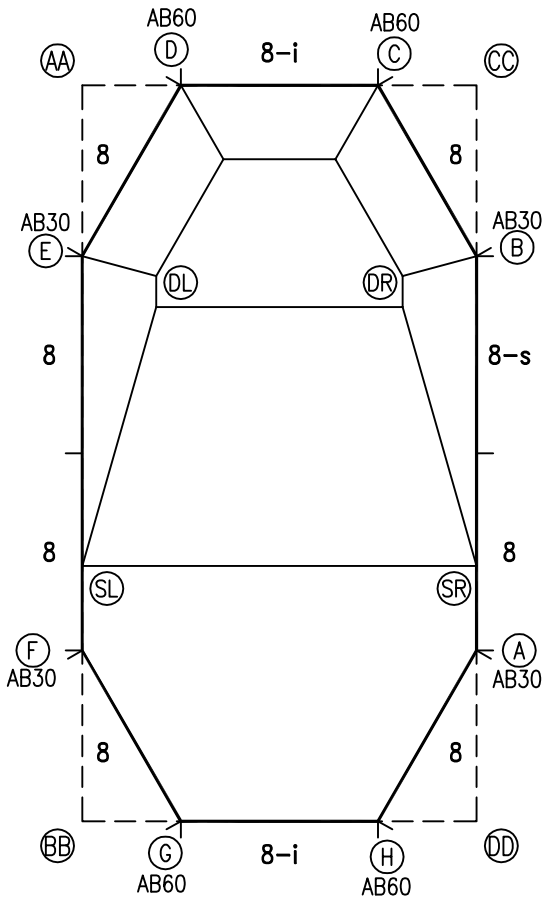
SWIMMING POOLS AND ACCESSORIES (INCLUDING DIVING BOARDS) ARE DANGEROUS WHEN IMPROPERLY USED OR INSTALLED. IT IS THE RESPONSIBILITY OF MUNICIPAL OFFICIALS, BUILDERS AND POOL OWNERS TO ADHERE TO ALL SAFETY RECOMMENDATIONS AND STANDARDS ISSUED BY THE POOL & HOT TUB COUNCIL, LOCAL AUTHORITIES AND EQUIPMENT MANUFACTURERS. PLEASE REFER TO DIVING BOARD MANUFACTURERS FOR CORRECT POSITIONING AND INSTALLATION OF DIVING EQUIPMENT.



\*ALL DIMENSIONS ARE FINISHED



PERIMETER: 80'

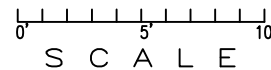


EXTERNAL INSTALLATION DATA

AA TO:	BB TO:	CC TO:	DD TO:
AA ---	AA 29'-10 1/4"	AA 16'-0"	AA 33'-10 1/2"
BB ---	BB ---	BB 33'-10 1/2"	BB 16'-0"
CC ---	CC ---	CC ---	CC 29'-10 1/4"
A 27'-11 1/2"	A 17'-5 1/4"	A 22'-11"	A 6'-11"
B 17'-5 1/4"	B 27'-11 1/2"	B 6'-11"	B 22'-11"
C 12'-0"	C 32'-2"	C 4'-0"	C 30'-1 1/2"
D 4'-0"	D 30'-1 1/2"	D 12'-0"	D 32'-2"
E 6'-11"	E 22'-11"	E 17'-5 1/4"	E 27'-11 1/2"
F 22'-11"	F 6'-11"	F 27'-11 1/2"	F 17'-5 1/4"
G 30'-1 1/2"	G 4'-0"	G 32'-2"	G 12'-0"
H 32'-2"	H 12'-0"	H 30'-1 1/2"	H 4'-0"
SL 19'-6"	SL 10'-4 1/4"	SL 25'-2 3/4"	SL 19'-0 3/4"
SR 25'-2 3/4"	SR 19'-0 3/4"	SR 19'-6"	SR 10'-4 1/4"
DL 9'-5 3/4"	DL 21'-0 3/4"	DL 15'-9 3/4"	DL 24'-6 3/4"
DR 15'-9 3/4"	DR 24'-6 3/4"	DR 9'-5 3/4"	DR 21'-0 3/4"

NOTICE

SWIMMING POOLS AND ACCESSORIES (INCLUDING DIVING BOARDS) ARE DANGEROUS WHEN IMPROPERLY USED OR INSTALLED. IT IS THE RESPONSIBILITY OF MUNICIPAL OFFICIALS, BUILDERS AND POOL OWNERS TO ADHERE TO ALL SAFETY RECOMMENDATIONS AND STANDARDS ISSUED BY THE POOL & HOT TUB COUNCIL, LOCAL AUTHORITIES AND EQUIPMENT MANUFACTURERS. PLEASE REFER TO DIVING BOARD MANUFACTURERS FOR CORRECT POSITIONING AND INSTALLATION OF DIVING EQUIPMENT.



HIGHBURY POOLS LTD

OCTAGONAL - 16 x 30

DRAWING REFERENCE #  
45-16-30-1

DRAWN BY: JK  
REV. 16 JUL 13  
SHEET 2 OF 2