

MISCELLANEOUS INFORMATION

PERIMETER:	88'
SURFACE AREA:	486 SQ FT
VOLUME:	14448 IMP GALS 65738 LITER

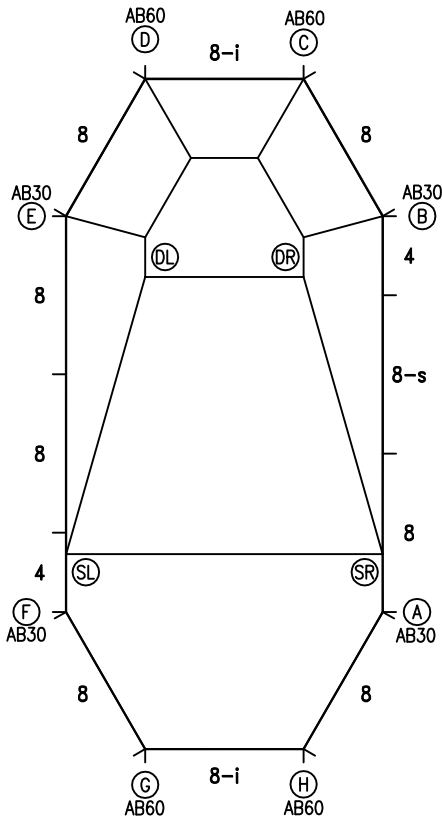
CONCRETE DECK INFO

WIDTH	AREA	NET INCREASES FOR:			
		STEPS	DIVING	SLIDE	ROLLER
2'	190	13	27	24	10
2'6"	241	17	31	20	10
3'	295	20	36	16	10

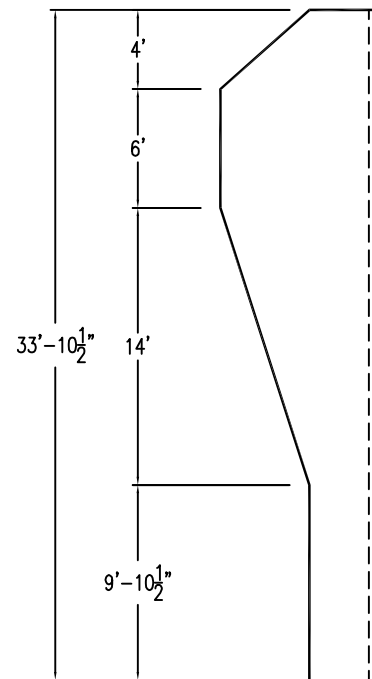
All Figures Represent "Sq Ft"

PARTS LIST

CODE	QTY	DESCRIPTION
8	7	8' Plain
AB60	4	60 Degree Angle Bracket
AB30	4	30 Degree Angle Bracket
8-s	1	8' Skimmer
4	2	4' Plain
8-i	2	8' Return
AF	4	A-Frame
S	16	Stakes
NB	64	Nuts & Bolts



6" WATER LINE



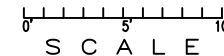
INSTALLATION DATA

From Point "A" to:-		From Point "B" to:-	
B	20'-0"	B	8'-0"
C	27'-2 1/2"	C	8'-0"
D	29'-5 3/4"	D	13'-10 1/4"
E	25'-7 1/4"	E	16'-0"
F	16'-0"	F	25'-7 1/4"
G	13'-10 1/4"	G	29'-5 3/4"
H	8'-0"	H	27'-2 1/2"
SL	16'-3 1/4"	SL	23'-4 3/4"
SR	2'-11"	SR	17'-0 3/4"
DL	20'-9"	DL	12'-4 1/2"
DR	17'-4 3/4"	DR	5'-0 1/2"

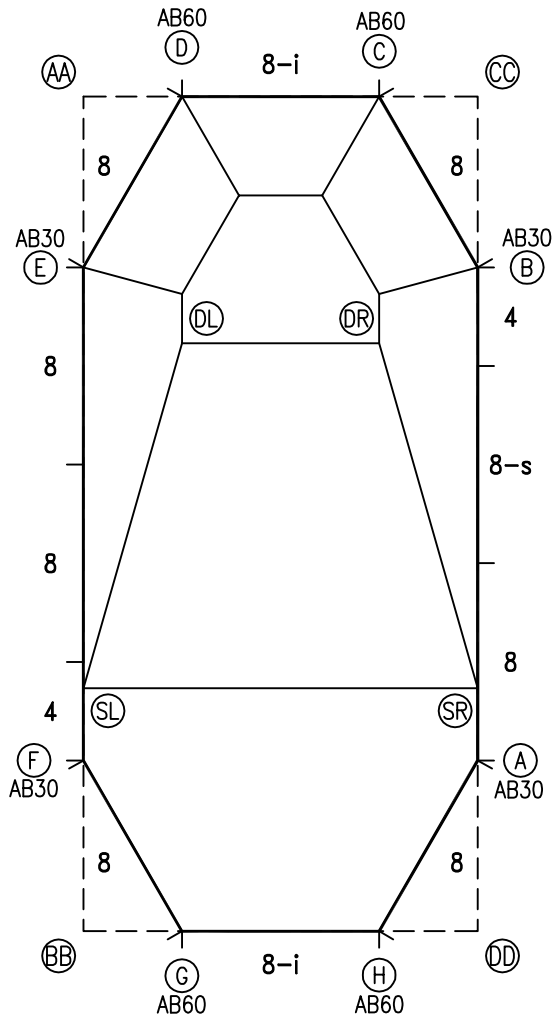
NOTICE

SWIMMING POOLS AND ACCESSORIES (INCLUDING DIVING BOARDS) ARE DANGEROUS WHEN IMPROPERLY USED OR INSTALLED. IT IS THE RESPONSIBILITY OF MUNICIPAL OFFICIALS, BUILDERS AND POOL OWNERS TO ADHERE TO ALL SAFETY RECOMMENDATIONS AND STANDARDS ISSUED BY THE POOL & HOT TUB COUNCIL, LOCAL AUTHORITIES AND EQUIPMENT MANUFACTURERS. PLEASE REFER TO DIVING BOARD MANUFACTURERS FOR CORRECT POSITIONING AND INSTALLATION OF DIVING EQUIPMENT.

*ALL DIMENSIONS ARE FINISHED

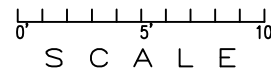


PERIMETER: 88'



EXTERNAL INSTALLATION DATA

AA TO:	BB TO:	CC TO:	DD TO:
AA ---	AA 33'-10 1/4"	AA 16'-0"	AA 37'-5 1/4"
BB ---	BB ---	BB 37'-5 1/4"	BB 16'-0"
CC ---	CC ---	CC ---	CC 33'-10 1/4"
A 31'-3 3/4"	A 17'-5 1/4"	A 26'-11"	A 6'-11"
B 17'-5 1/4"	B 31'-3 3/4"	B 6'-11"	B 26'-11"
C 12'-0"	C 35'-11"	C 4'-0"	C 34'-1"
D 4'-0"	D 34'-1"	D 12'-0"	D 35'-11"
E 6'-11"	E 26'-11"	E 17'-5 1/4"	E 31'-3 3/4"
F 26'-11"	F 6'-11"	F 31'-3 3/4"	F 17'-5 1/4"
G 34'-1"	G 4'-0"	G 35'-11"	G 12'-0"
H 35'-11"	H 12'-0"	H 34'-1"	H 4'-0"
SL 24'-0"	SL 9'-10 1/4"	SL 28'-10"	SL 18'-9 1/2"
SR 28'-10"	SR 18'-9 1/2"	SR 24'-0"	SR 9'-10 1/4"
DL 10'-9 1/4"	DL 24'-2 1/4"	DL 15'-7 1/2"	DL 26'-8 1/2"
DR 15'-7 1/2"	DR 26'-8 1/2"	DR 10'-9 1/4"	DR 24'-2 1/4"



NOTICE

SWIMMING POOLS AND ACCESSORIES (INCLUDING DIVING BOARDS) ARE DANGEROUS WHEN IMPROPERLY USED OR INSTALLED. IT IS THE RESPONSIBILITY OF MUNICIPAL OFFICIALS, BUILDERS AND POOL OWNERS TO ADHERE TO ALL SAFETY RECOMMENDATIONS AND STANDARDS ISSUED BY THE POOL & HOT TUB COUNCIL, LOCAL AUTHORITIES AND EQUIPMENT MANUFACTURERS. PLEASE REFER TO DIVING BOARD MANUFACTURERS FOR CORRECT POSITIONING AND INSTALLATION OF DIVING EQUIPMENT.

HIGHBURY POOLS LTD

OCTAGONAL - 16 x 34

DRAWING REFERENCE #
45-16-34-1

DRAWN BY: JK
REV. 16 JUL 13
SHEET 2 OF 2