

MISCELLANEOUS INFORMATION

PERIMETER:-	94
SURFACE AREA:	567.2 SQ FT
VOLUME:	17373 IMP GALS 78979 L

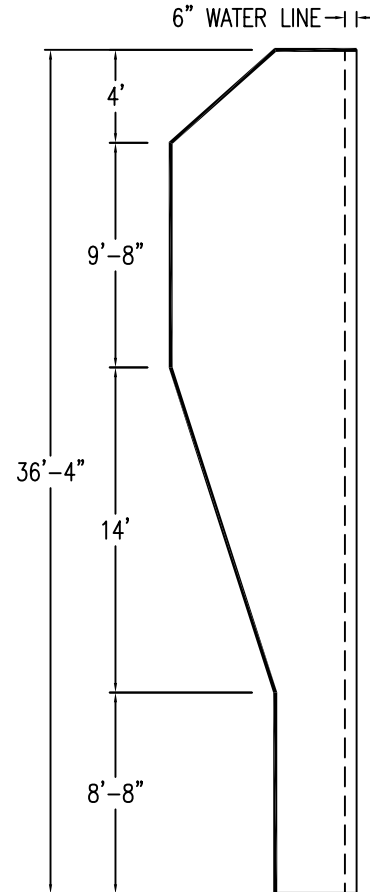
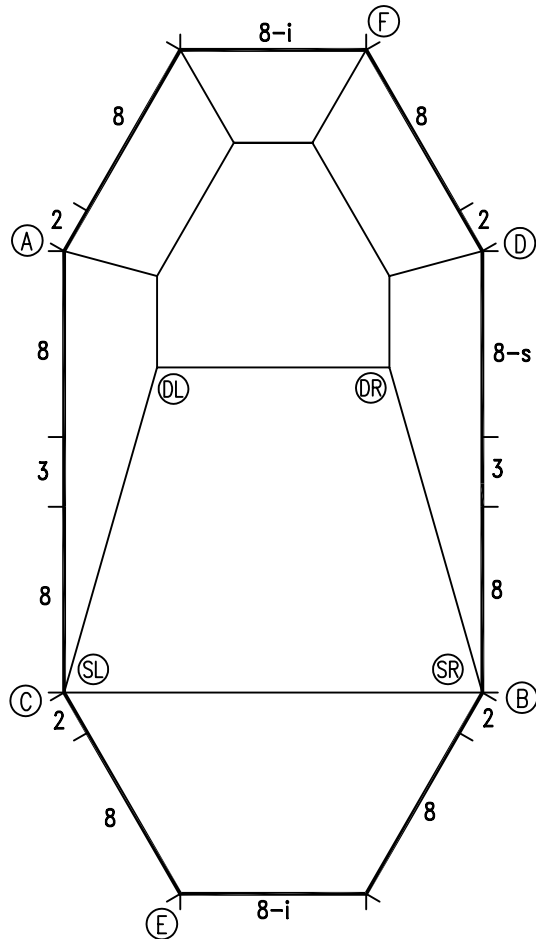
PARTS LIST

CODE	QTY	DESCRIPTION
8-s	1	8' Skimmer
8-i	2	8' Return
8	7	8' Plain
3	2	3' Plain
2	4	2' Plain
AB30	4	30 Degree Cnr Angle
AB60	4	60 Degree Cnr Angle
AF	8	A-Frame
S	24	Stake
NB	144	Nuts & Bolts

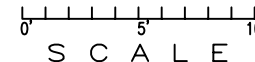
CONCRETE DECK INFO

WIDTH	AREA	NET INCREASES FOR:			
		STEPS	DIVING	SLIDE	ROLLER
2'	202	13	27	24	10
2'6"	256	17	31	20	10
3'	313	20	36	16	10

All Figures Represent "Sq Ft"



*ALL DIMENSIONS ARE FINISHED



INSTALLATION DATA

From Point "A" to:-		From Point "B" to:-	
B	26'-2 1/8"	B	18'-0"
C	19'-0"	C	18'-0"
D	18'-0"	D	19'-0"
E	28'-1 1/4"	E	15'-7 1/2"
F	15'-7 1/2"	F	28'-1 1/4"
SL	19'-0"	SL	18'-0"
SR	26'-2 1/8"	SR	0'-0"
DL	6'-4 7/8"	DL	19'-9 1/2"
DR	14'-10 3/8"	DR	14'-6 5/8"

NOTICE

SWIMMING POOLS AND ACCESSORIES (INCLUDING DIVING BOARDS) ARE DANGEROUS WHEN IMPROPERLY USED OR INSTALLED. IT IS THE RESPONSIBILITY OF MUNICIPAL OFFICIALS, BUILDERS AND POOL OWNERS TO ADHERE TO ALL SAFETY RECOMMENDATIONS AND STANDARDS ISSUED BY THE POOL & HOT TUB COUNCIL, LOCAL AUTHORITIES AND EQUIPMENT MANUFACTURERS. PLEASE REFER TO DIVING BOARD MANUFACTURERS FOR CORRECT POSITIONING AND INSTALLATION OF DIVING EQUIPMENT.

HIGHBURY POOLS LTD

OCTAGONAL

18 x 36

DRAWING REFERENCE #
45-18-36-1

DRAWN BY: BC
REV. 14 DEC 2006
SHEET 1 OF 1