

MISCELLANEOUS INFORMATION

PERIMETER:	106'
SURFACE AREA:	720 SQ FT
VOLUME:	20709 IMP GALS 94226 LITER

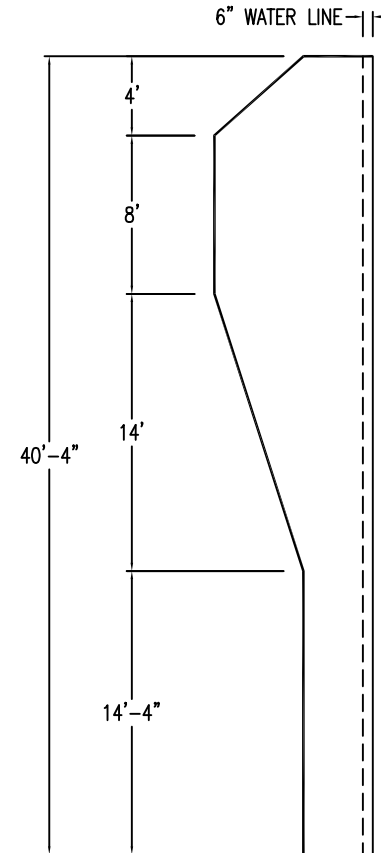
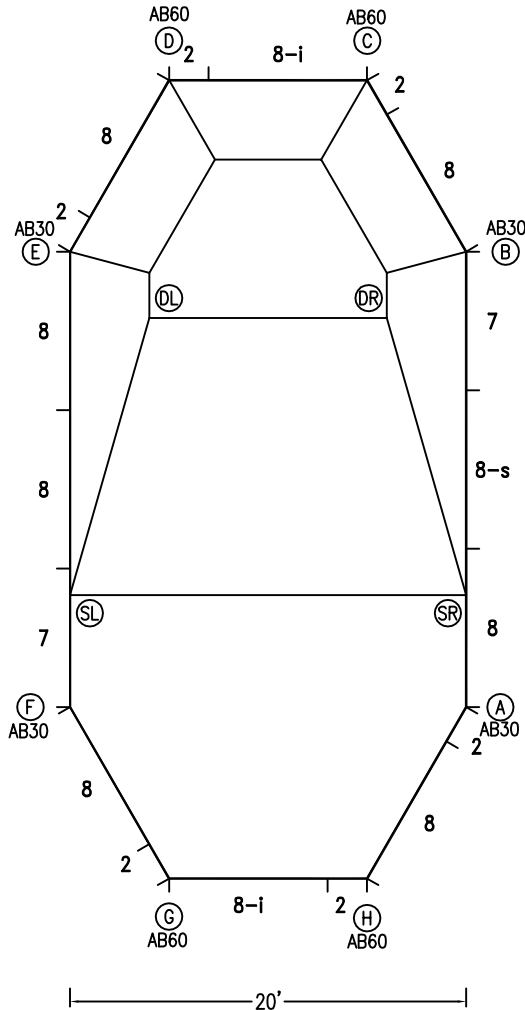
CONCRETE DECK INFO

WIDTH	AREA	NET INCREASES FOR:			
		STEPS	DIVING	SLIDE	ROLLER
2'	225	13	27	24	10
2'6"	286	17	31	20	10
3'	348	20	36	16	10

All Figures Represent "Sq Ft"

PARTS LIST

CODE	QTY	DESCRIPTION
8	7	8' Plain
2	6	2' Plain
AB60	4	60 Degree Angle Bracket
AB30	4	30 Degree Angle Bracket
8-s	1	8' Skimmer
7	2	7' Plain
8-i	2	8' Return
AF	10	A-Frame
S	28	Stakes
NB	100	Nuts & Bolts



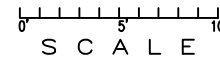
INSTALLATION DATA

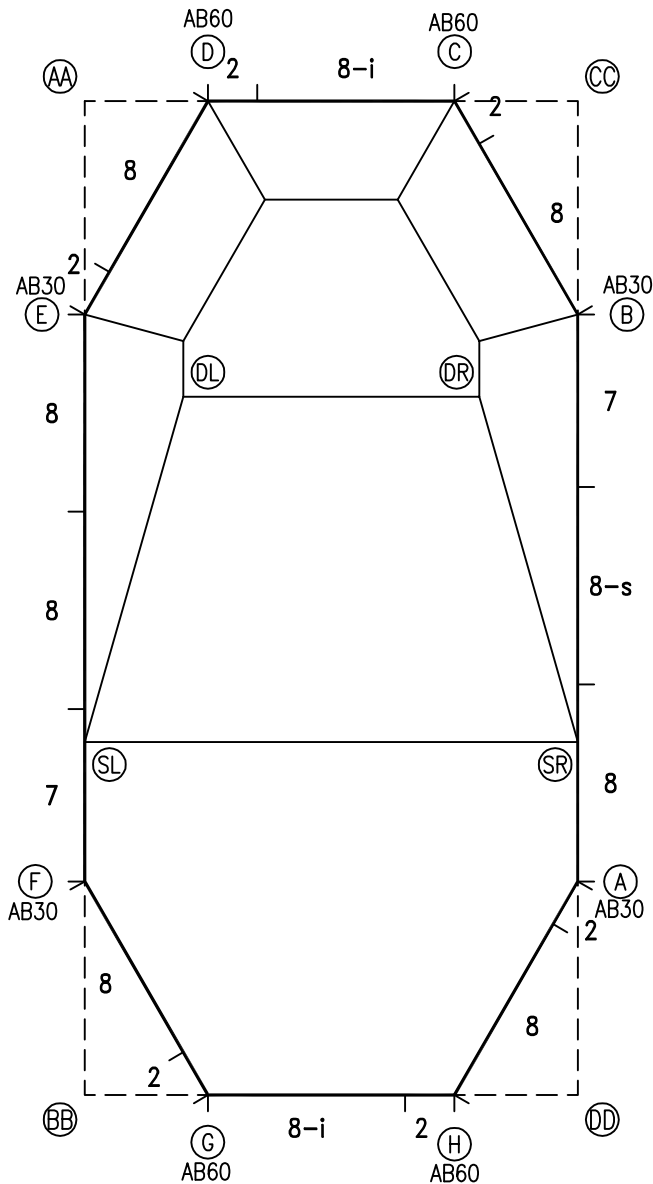
From Point "A" to:-		From Point "B" to:-	
B	23'-0"	B	10'-0"
C	32'-0 1/2"	C	17'-3 3/4"
D	35'-0 1/4"	D	17'-3 3/4"
E	30'-5 3/4"	E	20'-0"
F	20'-0"	F	30'-5 3/4"
G	17'-3 3/4"	G	35'-0 1/4"
H	10'-0"	H	32'-0 1/2"
SL	20'-9 1/4"	SL	26'-5 1/2"
SR	5'-7 3/4"	SR	17'-4"
DL	25'-4"	DL	16'-4"
DR	20'-0 3/4"	DR	5'-2 1/2"

NOTICE

SWIMMING POOLS AND ACCESSORIES (INCLUDING DIVING BOARDS) ARE DANGEROUS WHEN IMPROPERLY USED OR INSTALLED. IT IS THE RESPONSIBILITY OF MUNICIPAL OFFICIALS, BUILDERS AND POOL OWNERS TO ADHERE TO ALL SAFETY RECOMMENDATIONS AND STANDARDS ISSUED BY THE POOL & HOT TUB COUNCIL, LOCAL AUTHORITIES AND EQUIPMENT MANUFACTURERS. PLEASE REFER TO DIVING BOARD MANUFACTURERS FOR CORRECT POSITIONING AND INSTALLATION OF DIVING EQUIPMENT.

*ALL DIMENSIONS ARE FINISHED





EXTERNAL INSTALLATION DATA

AA TO:	BB TO:	CC TO:	DD TO:
AA ---	AA 40'-3 3/4"	AA 20'-0"	AA 45'-0"
BB ---	BB ---	BB 45'-0"	BB 20'-0"
CC ---	CC ---	CC ---	CC 40'-3 3/4"
A 37'-5 1/4"	A 21'-9 1/2"	A 31'-7 3/4"	A 8'-7 3/4"
B 21'-9 1/2"	B 37'-5 1/4"	B 8'-7 3/4"	B 31'-7 3/4"
C 15'-0"	C 43'-0 1/4"	C 5'-0"	C 40'-7 1/2"
D 5'-0"	D 40'-7 1/2"	D 15'-0"	D 43'-0 1/4"
E 8'-7 3/4"	E 31'-7 3/4"	E 21'-9 1/2"	E 37'-5 1/4"
F 31'-7 3/4"	F 8'-7 3/4"	F 37'-5 1/4"	F 21'-9 1/2"
G 40'-7 1/2"	G 5'-0"	G 43'-0 1/4"	G 15'-0"
H 43'-0 1/4"	H 15'-0"	H 40'-7 1/2"	H 5'-0"
SL 26'-0"	SL 14'-3 3/4"	SL 32'-9 1/2"	SL 24'-7"
SR 32'-9 1/2"	SR 24'-7"	SR 26'-0"	SR 14'-3 3/4"
DL 12'-7 3/4"	DL 28'-7 1/4"	DL 20'-0"	DL 32'-6 1/4"
DR 20'-0"	DR 32'-6 1/4"	DR 12'-7 3/4"	DR 28'-7 1/4"

NOTICE

SWIMMING POOLS AND ACCESSORIES (INCLUDING DIVING BOARDS) ARE DANGEROUS WHEN IMPROPERLY USED OR INSTALLED. IT IS THE RESPONSIBILITY OF MUNICIPAL OFFICIALS, BUILDERS AND POOL OWNERS TO ADHERE TO ALL SAFETY RECOMMENDATIONS AND STANDARDS ISSUED BY THE POOL & HOT TUB COUNCIL, LOCAL AUTHORITIES AND EQUIPMENT MANUFACTURERS. PLEASE REFER TO DIVING BOARD MANUFACTURERS FOR CORRECT POSITIONING AND INSTALLATION OF DIVING EQUIPMENT.

