

MISCELLANEOUS INFORMATION

PERIMETER:	85'
SURFACE AREA:	443 SQ FT
VOLUME:	13646 IMP GALS 62089 LITER

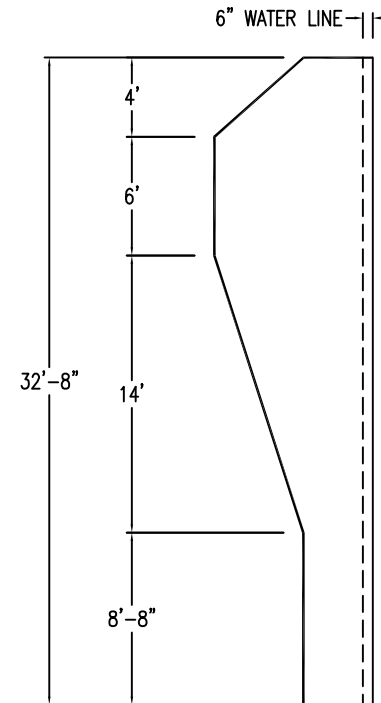
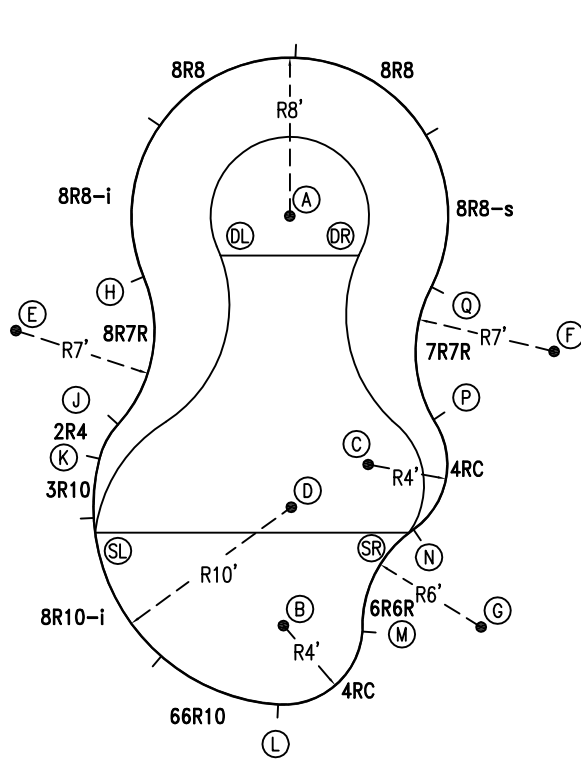
CONCRETE DECK INFO

WIDTH	AREA	NET INCREASES FOR:			
		STEPS	DIVING	SLIDE	ROLLER
2'	183	13	27	24	10
2'6"	232	17	31	20	10
3'	284	20	36	16	10

All Figures Represent "Sq Ft"

PARTS LIST

CODE	QTY	DESCRIPTION
8R8-s	1	8' Skimmer x 8' Radius
8R8	2	8' Plain x 8' Radius
8R8-i	1	8' Return x 8' Radius
8R7R	1	8' Plain x 7' Reverse Radius
2R4	1	2' Plain x 4' Radius
3R10	1	3' Plain x 10' Radius
8R10-i	1	8' Return x 10' Radius
66R10	1	6'6" Plain x 10' Radius
4RC	2	6'3" Plain x 4' Rad Cnr
6R6R	1	6' Plain x 6' Reverse Radius
7R7R	1	7' Plain x 7' Reverse Radius
AF	13	A-Frame
S	26	Stakes
NB	78	Nuts & Bolts



INSTALLATION DATA

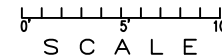
From Point "A" to:-		From Point "B" to:-	
B	20'-8 1/4"	B	9'-2 1/4"
C	13'-1 3/4"	C	9'-11 3/4"
D	14'-8 1/2"	D	5'-11 3/4"
E	15'-0"	E	20'-1 1/4"
F	15'-0"	F	19'-5 1/2"
G	22'-10 3/4"	G	9'-11 3/4"
H	8'-0"	H	18'-11 3/4"
J	13'-7 3/4"	J	13'-1 3/4"
K	15'-7"	K	12'-6 1/2"
L	24'-8 1/4"	L	4'-0"
M	21'-3 1/2"	M	4'-0"
N	17'-0 1/4"	N	8'-1 3/4"
P	12'-7"	P	12'-10 1/4"
Q	8'-0"	Q	18'-7 3/4"
SL	18'-9 1/4"	SL	10'-7 1/4"
SR	17'-1"	SR	7'-10 1/2"
DL	4'-0 1/2"	DL	18'-11 1/2"
DR	4'-0"	DR	19'-0 3/4"

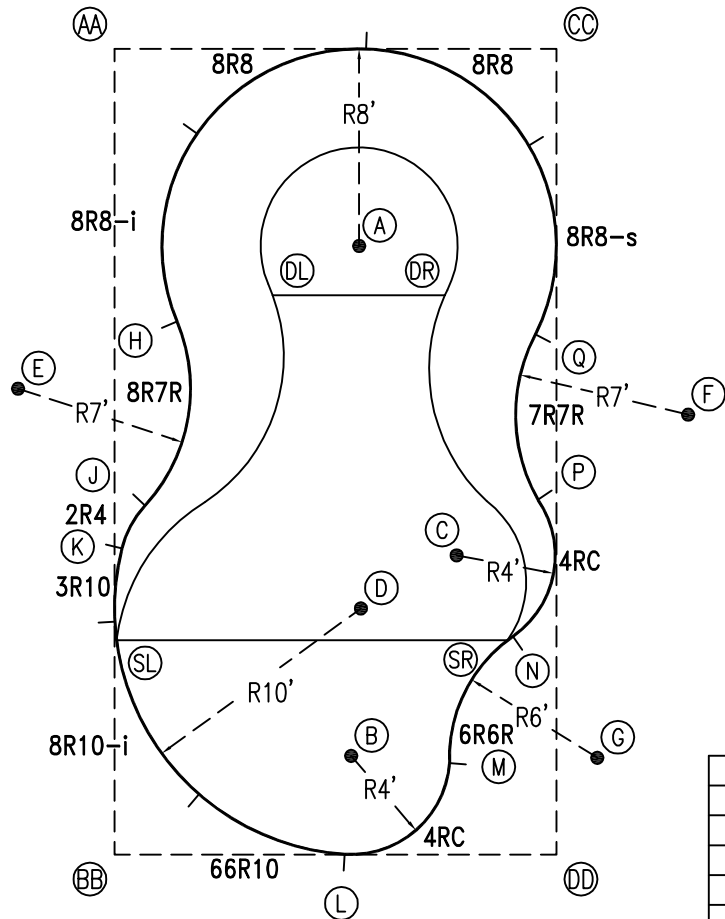
NOTICE

SWIMMING POOLS AND ACCESSORIES (INCLUDING DIVING BOARDS) ARE DANGEROUS WHEN IMPROPERLY USED OR INSTALLED. IT IS THE RESPONSIBILITY OF MUNICIPAL OFFICIALS, BUILDERS AND POOL OWNERS TO ADHERE TO ALL SAFETY RECOMMENDATIONS AND STANDARDS ISSUED BY THE POOL & HOT TUB COUNCIL, LOCAL AUTHORITIES AND EQUIPMENT MANUFACTURERS. PLEASE REFER TO DIVING BOARD MANUFACTURERS FOR CORRECT POSITIONING AND INSTALLATION OF DIVING EQUIPMENT.

17'-11"

*ALL DIMENSIONS ARE FINISHED



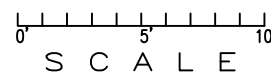


EXTERNAL INSTALLATION DATA

AA TO:	BB TO:	CC TO:	DD TO:
AA ---	AA 32'-8 3/4"	AA 17'-11 3/4"	AA 37'-3 1/4"
BB ---	BB ---	BB 37'-3 1/4"	BB 17'-11 3/4"
CC ---	CC ---	CC ---	CC 32'-8 3/4"
A 12'-8 3/2"	A 26'-8 1/4"	A 11'-3 3/4"	A 25'-11 3/4"
B 30'-3 1/4"	B 10'-4 3/4"	B 29'-10 1/2"	B 9'-2 3/4"
C 24'-9 3/4"	C 18'-5 1/2"	C 20'-11 1/4"	C 12'-9 1/2"
D 24'-9 3/4"	D 14'-1 1/2"	D 20'-8 3/2"	D 12'-8 3/4"
E 14'-4"	E 19'-3 1/2"	E 25'-9 3/4"	E 28'-10 1/2"
F 27'-7 1/4"	F 29'-3 3/4"	F 15'-9 1/4"	F 18'-9 1/2"
G 34'-9 1/2"	G 19'-11 1/2"	G 28'-9 3/4"	G 4'-5 1/4"
H 11'-4 1/4"	H 21'-9 1/4"	H 18'-11 1/2"	H 26'-6 3/2"
J 18'-6 3/4"	J 14'-2 1/2"	J 24'-11"	J 21'-10 1/2"
K 20'-3 1/4"	K 12'-5"	K 26'-10 1/4"	K 21'-8 1/2"
L 33'-11 3/4"	L 9'-4"	L 33'-9 1/2"	L 8'-8 1/2"
M 32'-0"	M 14'-1"	M 29'-3 1/2"	M 5'-8 1/4"
N 28'-9 1/2"	N 18'-5"	N 23'-10 3/4"	N 9'-0 1/2"
P 25'-1"	P 22'-4 3/4"	P 18'-3 3/4"	P 14'-8 3/4"
Q 20'-7 1/2"	Q 27'-1 3/4"	Q 11'-7 1/4"	Q 21'-1 3/4"
SL 24'-0"	SL 8'-8 1/4"	SL 29'-10 3/4"	SL 19'-10"
SR 28'-9 3/4"	SR 18'-1 3/4"	SR 24'-0 3/4"	SR 8'-0 1/4"
DL 11'-10 1/2"	DL 23'-6 3/4"	DL 15'-2 3/4"	DL 25'-5 3/4"
DR 16'-8 1/2"	DR 26'-4"	DR 10'-11 3/4"	DR 23'-2 1/2"

DIAGONALS

From Point "H" to:-	From Point "J" to:-
J 7'-6 7/8"	J
K 9'-5 5/8"	K 1'-11 3/4"
L 22'-7 7/8"	L 16'-3 3/4"
M 21'-0 5/8"	M 16'-2 1/8"
N 18'-8 1/8"	N 15'-10"
P 16'-3 7/8"	P 15'-11 1/4"
Q 14'-6 5/8"	Q 17'-3 1/2"



NOTICE

SWIMMING POOLS AND ACCESSORIES (INCLUDING DIVING BOARDS) ARE DANGEROUS WHEN IMPROPERLY USED OR INSTALLED. IT IS THE RESPONSIBILITY OF MUNICIPAL OFFICIALS, BUILDERS AND POOL OWNERS TO ADHERE TO ALL SAFETY RECOMMENDATIONS AND STANDARDS ISSUED BY THE POOL & HOT TUB COUNCIL, LOCAL AUTHORITIES AND EQUIPMENT MANUFACTURERS. PLEASE REFER TO DIVING BOARD MANUFACTURERS FOR CORRECT POSITIONING AND INSTALLATION OF DIVING EQUIPMENT.