

MISCELLANEOUS INFORMATION

PERIMETER:	99'6"
SURFACE AREA:	611 SQ FT
VOLUME:	17444 IMP GALS 79370 LITER

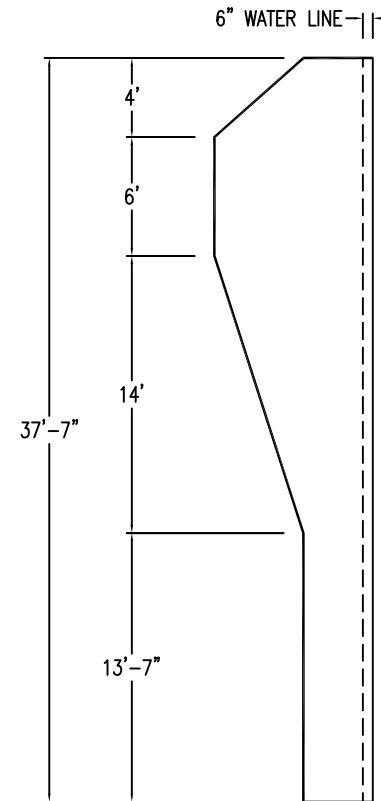
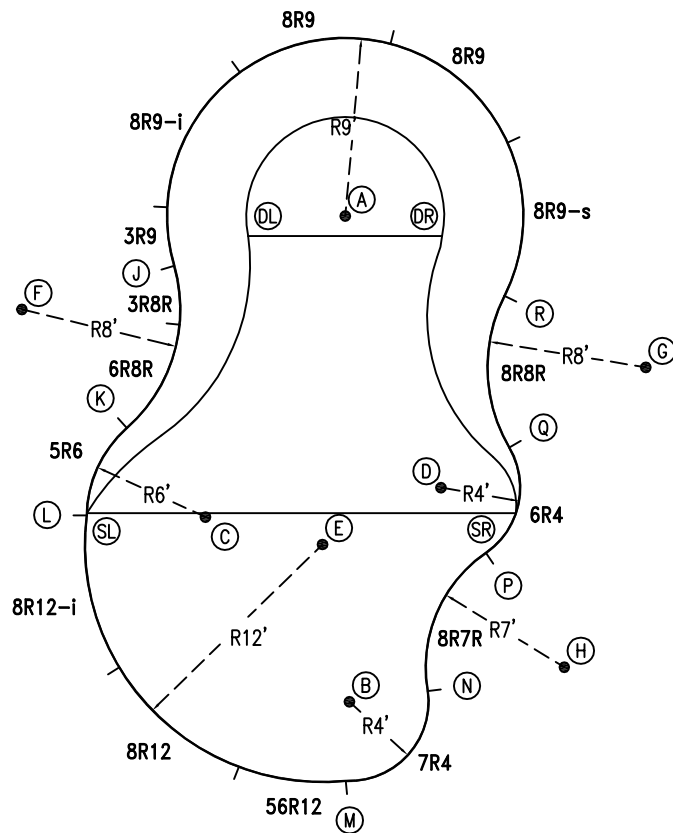
CONCRETE DECK INFO

WIDTH	AREA	NET INCREASES FOR:			
		STEPS	DIVING	SLIDE	ROLLER
2'	211	13	27	24	10
2'6"	268	17	31	20	10
3'	327	20	36	16	10

All Figures Represent "Sq Ft"

PARTS LIST

CODE	QTY	DESCRIPTION
8R9-s	1	8' Skimmer x 9' Radius
8R9	2	8' Plain x 9' Radius
8R9-i	1	8' Return x 9' Radius
3R9	1	3' Plain x 9' Radius
3R8R	1	3' Plain x 8' Reverse Radius
6R8R	1	6' Plain x 8' Reverse Radius
5R6	1	5' Plain x 6' Radius
8R12-i	1	8' Return x 12' Radius
8R12	1	8' Plain x 12' Radius
56R12	1	5'6" Plain x 12' Radius
7R4	1	7' Plain x 4' Radius
8R7R	1	8' Plain x 7' Reverse Radius
6R4	1	6' Plain x 4' Radius
8R8R	1	8' Plain x 8' Reverse Radius
AF	15	A-Frame
S	30	Stakes
NB	90	Nuts & Bolts



INSTALLATION DATA

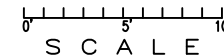
From Point "A" to:-		From Point "B" to:-	
B	24'-6 1/4"	B	11'-9 3/4"
C	16'-9"	C	11'-9"
D	14'-6 1/2"	D	11'-9"
E	16'-7 1/2"	E	8'-0 3/4"
F	17'-0"	F	25'-9 3/4"
G	17'-0"	G	22'-6 3/4"
H	25'-3 3/4"	H	11'-0"
J	9'-0"	J	23'-8 3/4"
K	15'-4 1/2"	K	17'-9 3/4"
L	19'-11 3/4"	L	16'-3 1/4"
M	28'-6 1/4"	M	4'-0"
N	24'-4 1/4"	N	4'-0"
P	18'-5 1/4"	P	10'-2 1/4"
Q	14'-3 3/4"	Q	15'-2"
R	9'-0"	R	21'-11 1/2"
SL	19'-10 1/2"	SL	16'-4"
SR	17'-3 1/2"	SR	12'-8 1/2"
DL	5'-0"	DL	24'-0 3/4"
DR	5'-0"	DR	24'-0"

NOTICE

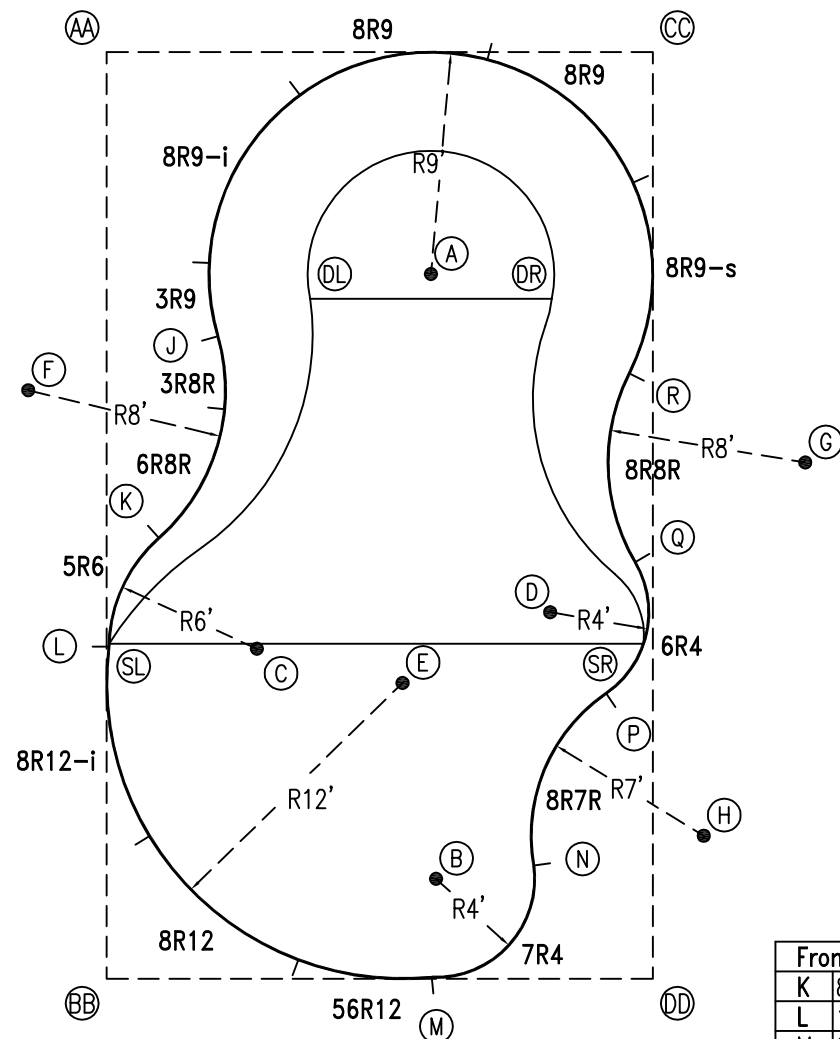
SWIMMING POOLS AND ACCESSORIES (INCLUDING DIVING BOARDS) ARE DANGEROUS WHEN IMPROPERLY USED OR INSTALLED. IT IS THE RESPONSIBILITY OF MUNICIPAL OFFICIALS, BUILDERS AND POOL OWNERS TO ADHERE TO ALL SAFETY RECOMMENDATIONS AND STANDARDS ISSUED BY THE POOL & HOT TUB COUNCIL, LOCAL AUTHORITIES AND EQUIPMENT MANUFACTURERS. PLEASE REFER TO DIVING BOARD MANUFACTURERS FOR CORRECT POSITIONING AND INSTALLATION OF DIVING EQUIPMENT.

22'-2"

*ALL DIMENSIONS ARE FINISHED



PERIMETER: 99'6"

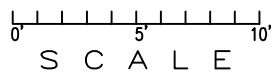


EXTERNAL INSTALLATION DATA

AA TO:	BB TO:	CC TO:	DD TO:
AA ---	AA 37'-7"	AA 22'-1 3/4"	AA 43'-7 1/2"
BB ---	BB ---	BB 43'-7 1/2"	BB 22'-1 3/4"
CC ---	CC ---	CC ---	CC 37'-7"
A 15'-11 1/4"	A 31'-5 1/2"	A 12'-8 3/4"	A 29'-11 1/2"
B 36'-1"	B 13'-11 1/2"	B 34'-8"	B 9'-8"
C 24'-11 1/2"	C 14'-8 1/2"	C 29'-0 1/2"	C 20'-10 3/4"
D 28'-11 3/4"	D 23'-4"	D 23'-1"	D 15'-5 1/4"
E 28'-3"	E 16'-11 1/2"	E 27'-6 1/4"	E 15'-8 1/2"
F 14'-0 3/4"	F 24'-1"	F 28'-9 1/2"	F 34'-9 3/4"
G 32'-10 1/4"	G 35'-2 3/4"	G 17'-9"	G 21'-10"
H 39'-11 1/2"	H 24'-10 3/4"	H 31'-10 1/4"	H 6'-1 3/4"
J 12'-4 1/4"	J 26'-5 1/2"	J 21'-0 3/4"	J 31'-5 3/4"
K 19'-9 3/4"	K 18'-0"	K 28'-1 1/4"	K 26'-10 1/4"
L 24'-1 1/2"	L 13'-5 1/2"	L 32'-8 1/4"	L 25'-10"
M 39'-9 1/4"	M 13'-2"	M 38'-7"	M 8'-11 1/2"
N 37'-3 1/4"	N 17'-11"	N 33'-4 1/4"	N 6'-7 3/4"
P 32'-11 1/2"	P 23'-3 3/4"	P 26'-1"	P 11'-8 3/4"
Q 29'-9 1/2"	Q 27'-3 1/2"	Q 20'-8 1/2"	Q 16'-10 3/4"
R 24'-10 1/2"	R 32'-5 1/4"	R 13'-0 3/4"	R 24'-6 3/4"
SL 24'-0"	SL 13'-7"	SL 32'-7"	SL 25'-10 3/4"
SR 32'-4 3/4"	SR 25'-8"	SR 24'-0"	SR 13'-7"
DL 12'-11 1/2"	DL 28'-9 1/2"	DL 17'-1 1/2"	DL 30'-10 3/4"
DR 20'-7 1/2"	DR 32'-11 1/2"	DR 10'-9 3/4"	DR 27'-10 3/4"

DIAGONALS

From Point "J" to:-	From Point "K" to:-
K 8'-6 3/8"	K 4'-10 1/4"
L 13'-4 1/4"	M 20'-11 3/4"
M 27'-5"	N 20'-2 3/8"
N 25'-0 1/8"	P 19'-2 3/8"
P 21'-4 7/8"	Q 19'-4 1/8"
Q 19'-3 1/8"	R 20'-2 5/8"
R 16'-9 1/8"	



NOTICE

SWIMMING POOLS AND ACCESSORIES (INCLUDING DIVING BOARDS) ARE DANGEROUS WHEN IMPROPERLY USED OR INSTALLED. IT IS THE RESPONSIBILITY OF MUNICIPAL OFFICIALS, BUILDERS AND POOL OWNERS TO ADHERE TO ALL SAFETY RECOMMENDATIONS AND STANDARDS ISSUED BY THE POOL & HOT TUB COUNCIL, LOCAL AUTHORITIES AND EQUIPMENT MANUFACTURERS. PLEASE REFER TO DIVING BOARD MANUFACTURERS FOR CORRECT POSITIONING AND INSTALLATION OF DIVING EQUIPMENT.

HIGHBURY POOLS LTD

ODYSEE I - LEFT 18 x 22 x 38

DRAWING REFERENCE #
49-18-38-1

DRAWN BY: JK
REV. 26 AUG 13
SHEET 2 OF 2