

MISCELLANEOUS INFORMATION

PERIMETER:-	107'
SURFACE AREA:	697.7 SQ FT
VOLUME:	20529 IMP GALS 93410 L

CONCRETE DECK INFO

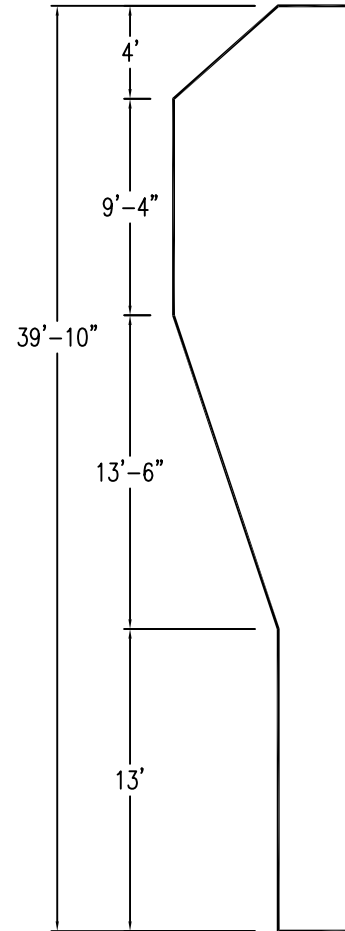
WIDTH	AREA	NET INCREASES FOR:			
		STEPS	DIVING	SLIDE	ROLLER
2'	227	13	27	24	10
2'6"	287	17	31	20	10
3'	349	20	36	16	10

All Figures Represent "Sq Ft"

PARTS LIST

CODE	QTY	DESCRIPTION
8R10-s	1	8' Skimmer x 10' Radius
8R10-i	1	8' Return x 10' Radius
8R13-i	1	8' Return x 13' Radius
8R10	3	8' Plain x 10' Radius
7R8R	1	7' Plain x 8' Reverse Radius
5R4	1	5' Plain x 4' Radius
8R7R	1	8' Plain x 7' Reverse Radius
8R5	1	8' Plain x 5' Radius
8R13	2	8' Plain x 13' Radius
4R4	1	4' Plain x 4 Radius
3R8R	1	3' Plain x 8' Reverse Radius
8R8R	1	8' Plain x 8' Reverse Radius
AF	15	A-Frame
S	30	Stake
NB	90	Nuts & Bolts

6" WATER LINE - I - I



*ALL DIMENSIONS ARE FINISHED



INSTALLATION DATA

From Point "A" to:-		From Point "B" to:-	
B	16'-11 3/8"	B	7'-5 1/2"
C	13'-9 7/8"	C	8'-0"
D	24'-7 5/8"	D	9'-0"
E	19'-8 3/8"	E	19'-4 3/4"
F	18'-0"	F	14'-2 5/8"
G	24'-5 1/4"	G	18'-6 1/4"
H	18'-0"	H	16'-0 1/4"
J	10'-0"	J	11'-5 1/8"
K	14'-3 1/8"	K	9'-0"
L	17'-7 1/2"	L	9'-3 3/4"
M	23'-10"	M	13'-0"
N	29'-6 1/4"	N	13'-0"
P	22'-0 3/8"	P	11'-8 1/8"
Q	18'-3 1/2"	Q	15'-4 3/8"
R	10'-0"	R	12'-11"
SR	21'-2 1/2"	SR	7'-8 3/8"
SL	18'-5 7/8"	SL	14'-6 7/8"
DR	6'-1 3/8"	DL	14'-6 7/8"
DL	6'-1 3/8"		

NOTICE

SWIMMING POOLS AND ACCESSORIES (INCLUDING DIVING BOARDS) ARE DANGEROUS WHEN IMPROPERLY USED OR INSTALLED. IT IS THE RESPONSIBILITY OF MUNICIPAL OFFICIALS, BUILDERS AND POOL OWNERS TO ADHERE TO ALL SAFETY RECOMMENDATIONS AND STANDARDS ISSUED BY THE POOL & HOT TUB COUNCIL, LOCAL AUTHORITIES AND EQUIPMENT MANUFACTURERS. PLEASE REFER TO DIVING BOARD MANUFACTURERS FOR CORRECT POSITIONING AND INSTALLATION OF DIVING EQUIPMENT.

DRAWING REFERENCE #

49-20-40-2

DRAWN BY: BC

REV. 16 FEB 2007

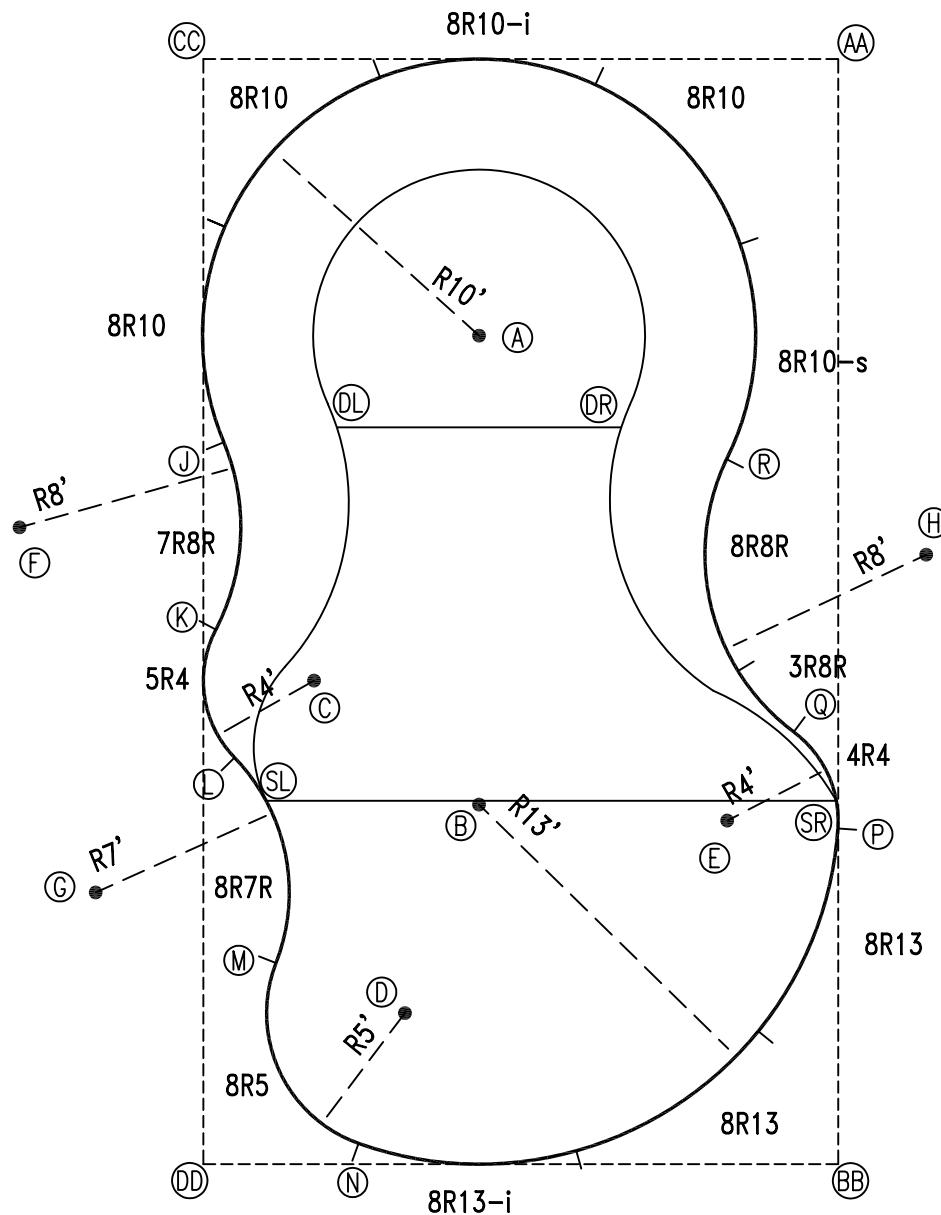
SHEET 1 OF 2

HIGHBURY POOLS LTD

ODYSEE I - RIGHT 20 x 40

EXTERNAL INSTALLATION DATA

AA TO:	BB TO:	CC TO:	DD TO:
AA ---	AA 39'-11 3/8"	AA 22'-11 3/8"	AA 46'-0 7/8"
BB ---	BB ---	BB 46'-0 7/8"	BB 22'-11 3/8"
CC ---	CC ---	CC ---	CC 39'-11 3/8"
A 16'-4 5/8"	A 32'-7 3/4"	A 14'-1 3/8"	A 31'-6 3/4"
B 29'-10 7/8"	B 18'-4 1/2"	B 28'-8 7/8"	B 16'-4 5/8"
C 29'-4 3/4"	C 25'-9 3/8"	C 22'-9 7/8"	C 17'-11 1/4"
D 37'-10 1/2"	D 16'-7"	D 35'-3"	D 9'-1 1/4"
E 27'-9 7/8"	E 13'-0 5/8"	E 33'-5"	E 22'-7 7/8"
F 34'-1 1/8"	F 37'-5 7/8"	F 18'-2 1/4"	F 23'-11 1/2"
G 40'-4 1/4"	G 28'-6 7/8"	G 30'-4 5/8"	G 10'-6 3/4"
H 18'-2 3/8"	H 22'-3 1/8"	H 31'-8 1/4"	H 34'-2 1/8"
J 26'-2 1/8"	J 34'-3 1/4"	J 13'-10 1/2"	J 26'-1 3/8"
K 30'-6 1/4"	K 29'-7 7/8"	K 20'-7 1/2"	K 19'-4"
L 33'-4 1/2"	L 26'-3 5/8"	L 25'-3 3/8"	L 14'-8 7/8"
M 38'-5 3/4"	M 21'-7"	M 32'-9 3/8"	M 7'-8 3/4"
N 42'-10 3/8"	N 17'-4 1/4"	N 39'-7 1/4"	N 5'-7 7/8"
P 27'-9 3/4"	P 12'-1 5/8"	P 36'-0 5/8"	P 25'-11 3/8"
Q 24'-4 1/2"	Q 15'-8 1/2"	Q 32'-4 3/8"	Q 26'-5 3/8"
R 15'-0 1/4"	R 25'-9 5/8"	R 23'-9 3/4"	R 31'-8 7/8"
SR 26'-9 3/4"	SR 13'-1 5/8"	SR 35'-3"	SR 26'-4 5/8"
SL 33'-10 3/8"	SL 24'-5 7/8"	SL 26'-10 7/8"	SL 13'-3 7/8"
DR 15'-5 1/2"	DR 27'-9 1/8"	DR 20'-1 5/8"	DR 30'-7 3/8"
DL 22'-5 7/8"	DL 32'-2 5/8"	DL 14'-1 7/8"	DL 27'-0 7/8"



NOTICE

SWIMMING POOLS AND ACCESSORIES (INCLUDING DIVING BOARDS) ARE DANGEROUS WHEN IMPROPERLY USED OR INSTALLED. IT IS THE RESPONSIBILITY OF MUNICIPAL OFFICIALS, BUILDERS AND POOL OWNERS TO ADHERE TO ALL SAFETY RECOMMENDATIONS AND STANDARDS ISSUED BY THE POOL & HOT TUB COUNCIL, LOCAL AUTHORITIES AND EQUIPMENT MANUFACTURERS. PLEASE REFER TO DIVING BOARD MANUFACTURERS FOR CORRECT POSITIONING AND INSTALLATION OF DIVING EQUIPMENT.

HIGHBURY POOLS LTD

ODYSEE I - RIGHT 20 x 40

DRAWING REFERENCE #

49-20-40-2

DRAWN BY: BC

REV. 16 FEB 2007

SHEET 2 OF 2