

**MISCELLANEOUS INFORMATION**

PERIMETER:	84'
SURFACE AREA:	456 SQ FT
VOLUME:	13888 IMP GALS 63190 LITER

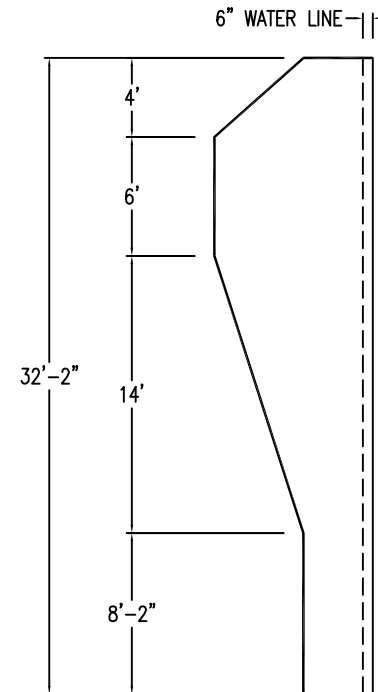
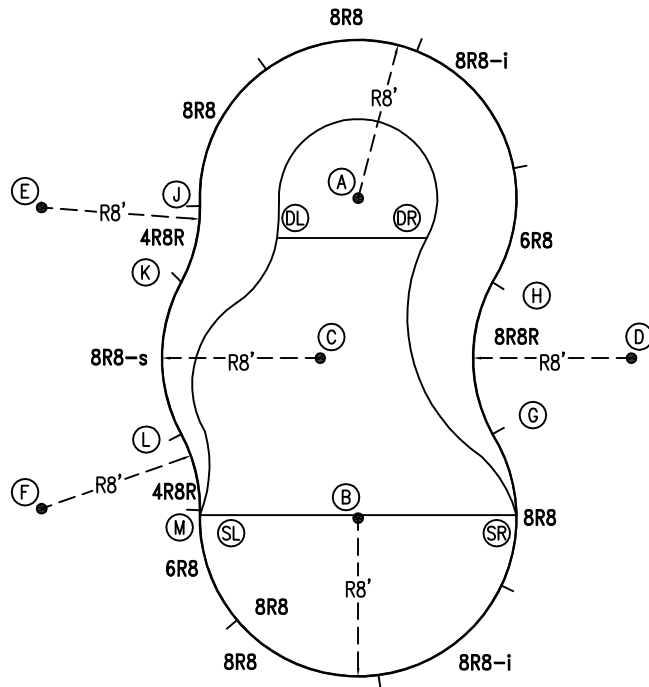
**CONCRETE DECK INFO**

WIDTH	AREA	NET INCREASES FOR:			
		STEPS	DIVING	SLIDE	ROLLER
2'	181	13	27	24	10
2'6"	230	17	31	20	10
3'	281	20	36	16	10

All Figures Represent "Sq Ft"

**PARTS LIST**

CODE	QTY	DESCRIPTION
8R8	4	8' Plain x 8' Radius
8R8-i	2	8' Return x 8' Radius
6R8	2	6' Plain x 8' Radius
8R8R	1	8' Plain x 8' Reverse Radius
4R8R	2	4' Plain x 8' Reverse Radius
8R8-s	1	8' Skimmer x 8' Radius
AF	11	A-Frame
S	22	Stakes
NB	66	Nuts & Bolts

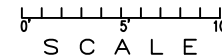


**INSTALLATION DATA**

From Point "A" to:-		From Point "B" to:-	
B	16'-1 3/4"	B	8'-3 1/2"
C	8'-3 1/2"	C	8'-3 1/2"
D	16'-0 1/2"	D	16'-0 1/2"
E	16'-0"	E	22'-4 3/4"
F	22'-4 3/4"	F	16'-0"
G	13'-8 1/2"	G	8'-0"
H	8'-0"	H	13'-8 1/2"
J	8'-0"	J	17'-8"
K	9'-10 1/2"	K	14'-10 1/2"
L	14'-10 1/2"	L	9'-10 1/2"
M	17'-8"	M	8'-0"
SL	17'-10 1/2"	SL	8'-0"
SR	17'-10 1/2"	SR	8'-0"
DL	4'-6 1/2"	DL	14'-8 3/4"
DR	4'-0"	DR	14'-6 3/4"

17'-11"

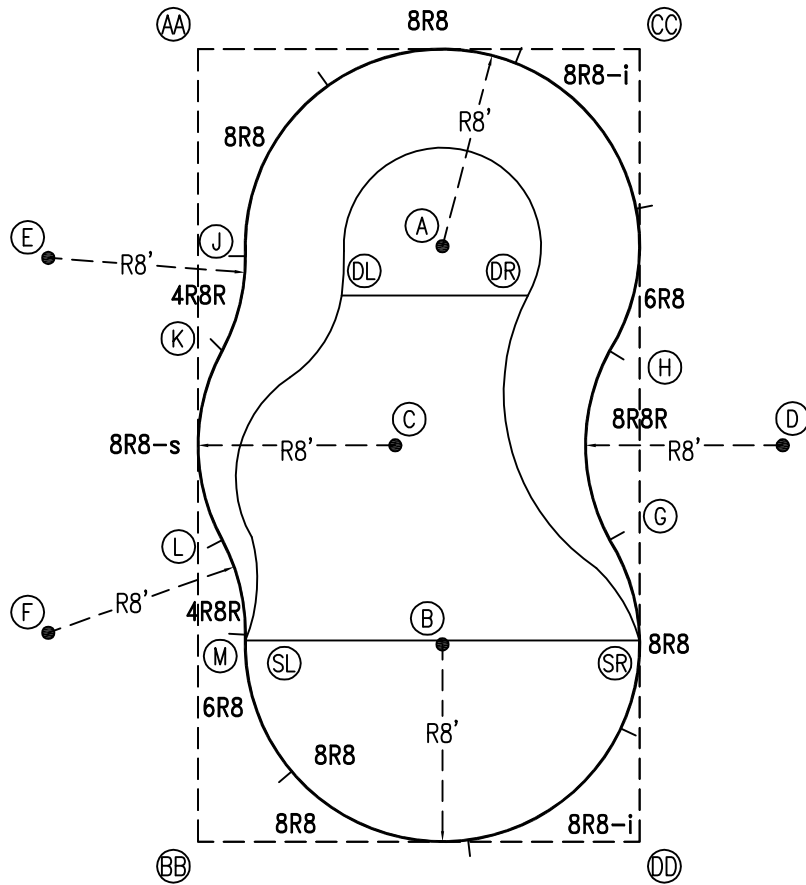
\*ALL DIMENSIONS ARE FINISHED



**NOTICE**

SWIMMING POOLS AND ACCESSORIES (INCLUDING DIVING BOARDS) ARE DANGEROUS WHEN IMPROPERLY USED OR INSTALLED. IT IS THE RESPONSIBILITY OF MUNICIPAL OFFICIALS, BUILDERS AND POOL OWNERS TO ADHERE TO ALL SAFETY RECOMMENDATIONS AND STANDARDS ISSUED BY THE POOL & HOT TUB COUNCIL, LOCAL AUTHORITIES AND EQUIPMENT MANUFACTURERS. PLEASE REFER TO DIVING BOARD MANUFACTURERS FOR CORRECT POSITIONING AND INSTALLATION OF DIVING EQUIPMENT.

PERIMETER: 84'



EXTERNAL INSTALLATION DATA

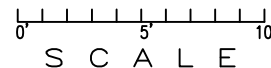
AA TO:	BB TO:	CC TO:	DD TO:
AA ---	AA 32'-1 3/4"	AA 17'-10 3/4"	AA 36'-9 1/2"
BB ---	BB ---	BB 36'-9 1/2"	BB 17'-10 3/4"
CC ---	CC ---	CC ---	CC 32'-1 3/4"
A 12'-8 3/4"	A 26'-1 1/4"	A 11'-3 3/4"	A 25'-5 1/4"
B 26'-1 1/4"	B 12'-8 3/4"	B 25'-5 1/4"	B 11'-3 3/4"
C 17'-11 1/2"	C 17'-11 1/2"	C 18'-10 1/2"	C 18'-10 1/2"
D 28'-8 1/2"	D 28'-8 1/2"	D 17'-1 1/4"	D 17'-1 1/4"
E 10'-5"	E 24'-5 1/4"	E 25'-5 1/4"	E 33'-8 1/2"
F 24'-5 1/4"	F 10'-5"	F 33'-8 1/2"	F 25'-5 1/4"
G 25'-11 3/4"	G 20'-8 1/4"	G 19'-11 1/4"	G 12'-3 1/2"
H 20'-8 1/4"	H 25'-11 3/4"	H 12'-3 1/2"	H 19'-11 1/4"
J 8'-7 1/4"	J 23'-10"	J 18'-0 3/4"	J 28'-7 1/2"
K 12'-3 1/4"	K 19'-11 1/4"	K 20'-10 3/4"	K 26'-1 1/2"
L 19'-11 1/4"	L 12'-3 1/4"	L 26'-1 1/2"	L 20'-10 3/4"
M 23'-10"	M 8'-7 1/4"	M 28'-7 1/2"	M 18'-0 3/4"
SL 24'-0 3/4"	SL 8'-4 1/2"	SL 28'-10"	SL 17'-11 1/2"
SR 29'-11 1/4"	SR 19'-8"	SR 24'-0"	SR 8'-1 3/4"
DL 11'-6 3/4"	DL 22'-10 3/4"	DL 15'-8 1/4"	DL 25'-2 3/4"
DR 16'-8 1/4"	DR 25'-10 1/2"	DR 10'-11 3/4"	DR 22'-7 1/4"

DIAGONALS

From Point "G" to:-	From Point "H" to:-
H 7'-8"	H
J 18'-8 3/4"	J 15'-3 1/8"
K 17'-5 7/8"	K 15'-8 5/8"
L 15'-8 5/8"	L 17'-5 7/8"
M 15'-3 1/8"	M 18'-8 3/4"

NOTICE

SWIMMING POOLS AND ACCESSORIES (INCLUDING DIVING BOARDS) ARE DANGEROUS WHEN IMPROPERLY USED OR INSTALLED. IT IS THE RESPONSIBILITY OF MUNICIPAL OFFICIALS, BUILDERS AND POOL OWNERS TO ADHERE TO ALL SAFETY RECOMMENDATIONS AND STANDARDS ISSUED BY THE POOL & HOT TUB COUNCIL, LOCAL AUTHORITIES AND EQUIPMENT MANUFACTURERS. PLEASE REFER TO DIVING BOARD MANUFACTURERS FOR CORRECT POSITIONING AND INSTALLATION OF DIVING EQUIPMENT.



HIGHBURY POOLS LTD

ODYSSEY II - RIGHT 16 x 18 x 32

DRAWING REFERENCE #  
50-16-32-2

DRAWN BY: JK  
REV. 22 JUL 13  
SHEET 2 OF 2