

MISCELLANEOUS INFORMATION

PERIMETER:	115'6"
SURFACE AREA:	867 SQ FT
VOLUME:	25420 IMP GALS 11566 LITER

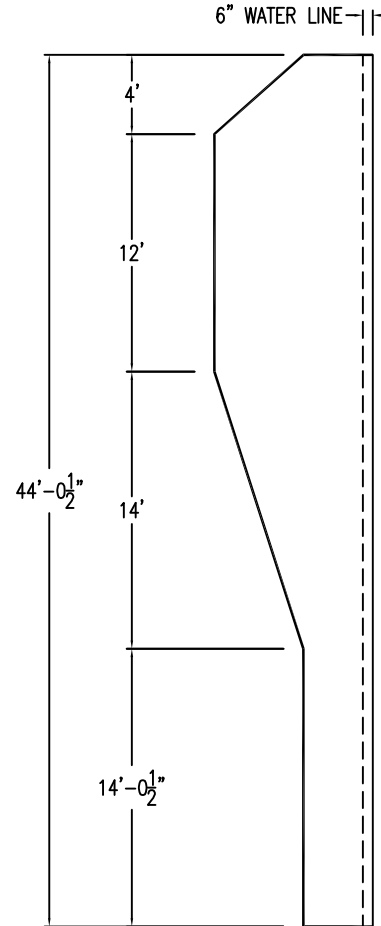
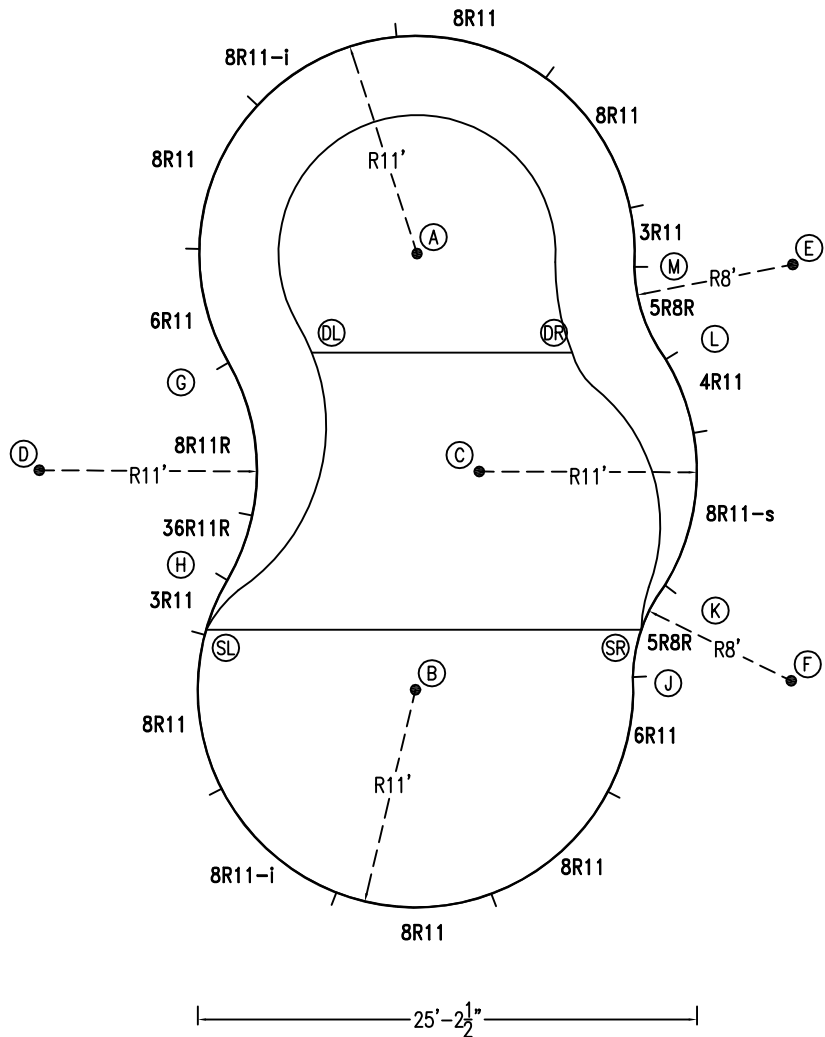
CONCRETE DECK INFO

WIDTH	AREA	NET INCREASES FOR:			
		STEPS	DIVING	SLIDE	ROLLER
2'	244	13	27	24	10
2'6"	309	17	31	20	10
3'	375	20	36	16	10

All Figures Represent "Sq Ft"

PARTS LIST

CODE	QTY	DESCRIPTION
3R11	2	3' Plain x 11' Radius
8R11	6	8' Plain x 11' Radius
8R11-i	2	8' Return x 11' Radius
6R11	2	6' Plain x 11' Radius
8R11R	1	8' Plain x 11' Reverse Radius
36R11R	1	3'6" Plain x 11' Reverse Radius
5R8R	2	5' Plain x 8' Reverse Radius
8R11-s	1	8' Skimmer x 11' Radius
4R11	1	4' Plain x 11' Radius
AF	18	A-Frame
S	36	Stakes
NB	108	Nuts & Bolts



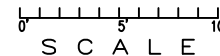
INSTALLATION DATA

From Point "A" to:-		From Point "B" to:-	
B	22'-0 1/4"	B	11'-5 3/4"
C	11'-5 1/4"	C	11'-5 3/4"
D	21'-11 3/4"	D	21'-11 3/4"
E	18'-11 3/4"	E	28'-8 1/2"
F	28'-8 1/4"	F	18'-11 3/4"
G	11'-0"	G	19'-0 1/4"
H	19'-0 3/4"	H	11'-0"
J	24'-0"	J	11'-0"
K	20'-10 3/4"	K	13'-7 3/4"
L	13'-7 3/4"	L	20'-11 1/4"
M	11'-0"	M	24'-0 1/2"
SL	21'-9 1/4"	SL	11'-0"
SR	22'-1 1/4"	SR	11'-9 1/2"
DL	7'-3 1/2"	DL	17'-9 3/4"
DR	9'-3 1/2"	DR	18'-9 1/4"

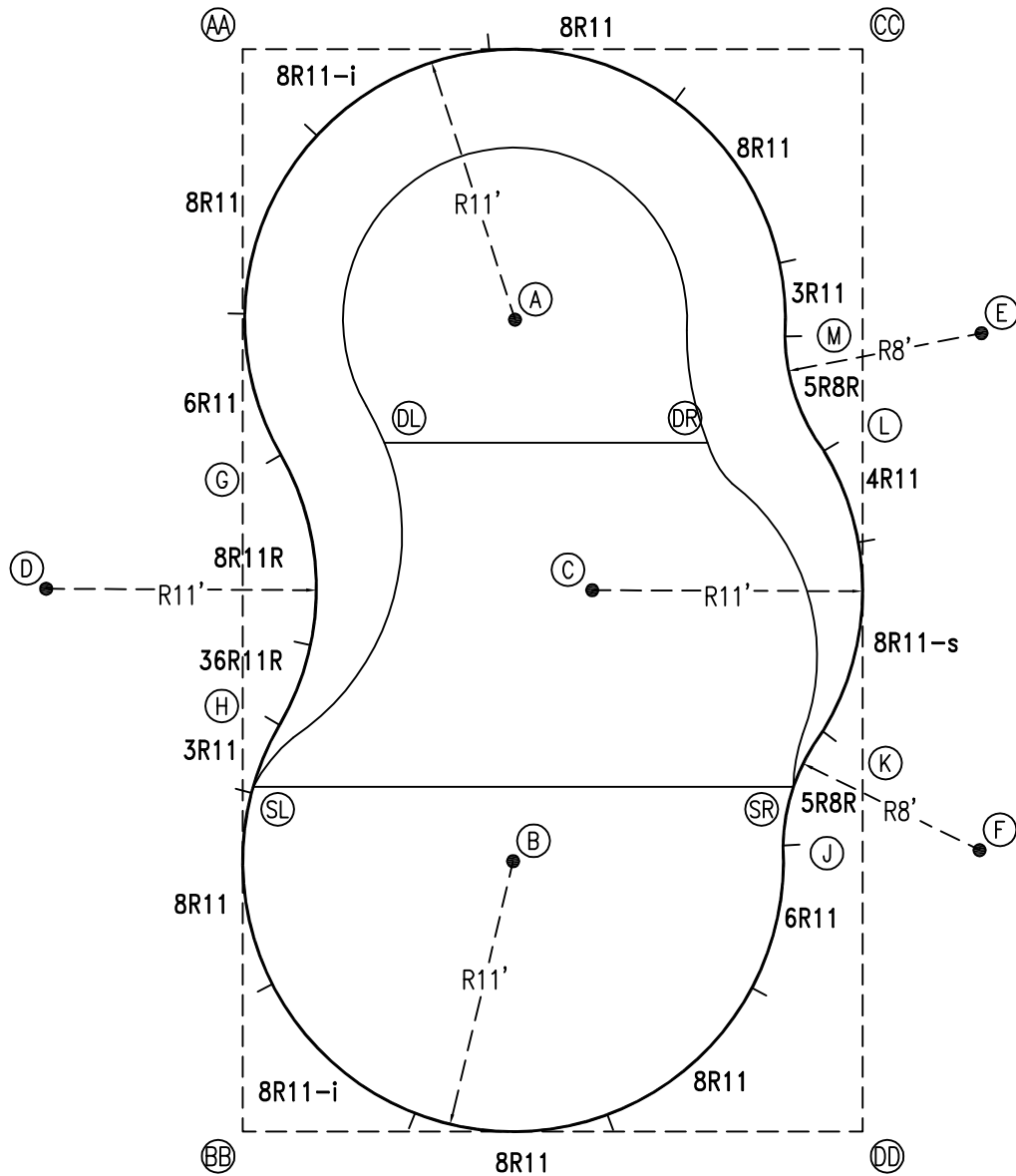
NOTICE

SWIMMING POOLS AND ACCESSORIES (INCLUDING DIVING BOARDS) ARE DANGEROUS WHEN IMPROPERLY USED OR INSTALLED. IT IS THE RESPONSIBILITY OF MUNICIPAL OFFICIALS, BUILDERS AND POOL OWNERS TO ADHERE TO ALL SAFETY RECOMMENDATIONS AND STANDARDS ISSUED BY THE POOL & HOT TUB COUNCIL, LOCAL AUTHORITIES AND EQUIPMENT MANUFACTURERS. PLEASE REFER TO DIVING BOARD MANUFACTURERS FOR CORRECT POSITIONING AND INSTALLATION OF DIVING EQUIPMENT.

*ALL DIMENSIONS ARE FINISHED



PERIMETER: 115'6"



EXTERNAL INSTALLATION DATA

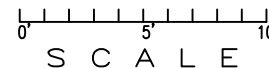
AA TO:	BB TO:	CC TO:	DD TO:
AA ---	AA 44'-0 1/4"	AA 25'-2 1/2"	AA 50'-8 3/4"
BB ---	BB ---	BB 50'-8 3/4"	BB 25'-2 1/2"
CC ---	CC ---	CC ---	CC 44'-0 1/4"
A 15'-7 1/4"	A 34'-10"	A 17'-10 3/4"	A 35'-11"
B 34'-9 3/4"	B 15'-6 1/2"	B 35'-11 1/2"	B 17'-11 3/4"
C 26'-2 1/4"	C 26'-2 1/2"	C 24'-7 1/4"	C 24'-7 1/4"
D 23'-4 1/4"	D 23'-5 3/4"	D 39'-9 3/4"	D 39'-10 1/2"
E 32'-2 1/4"	E 44'-3"	E 12'-6 1/4"	E 32'-10"
F 44'-3 1/4"	F 32'-1"	F 32'-11"	F 12'-4 3/4"
G 16'-6 3/4"	G 27'-6 3/4"	G 28'-10 1/4"	G 36'-3 1/2"
H 27'-6 1/4"	H 16'-7 1/4"	H 36'-3 3/4"	H 28'-11"
J 39'-1 3/4"	J 24'-10 1/2"	J 32'-6 1/2"	J 12'-0 3/4"
K 36'-5"	K 28'-8"	K 27'-9 1/2"	K 16'-4 1/4"
L 28'-8 3/4"	L 36'-4 3/4"	L 16'-4 3/4"	L 27'-8 3/4"
M 24'-11 1/2"	M 39'-1 3/4"	M 12'-1"	M 32'-6"
SL 30'-0"	SL 14'-0 1/4"	SL 38'-11"	SL 28'-5 3/4"
SR 37'-5 1/4"	SR 26'-5 1/4"	SR 30'-1 1/2"	SR 14'-3 1/2"
DL 17'-0"	DL 28'-7 1/4"	DL 25'-2 1/4"	DL 34'-1 1/4"
DR 24'-9 1/4"	DR 33'-9 3/4"	DR 17'-2 1/4"	DR 28'-8 3/4"

DIAGONALS

From Point "G" to:-	From Point "H" to:-
H 10'-11 3/4"	H
J 25'-10 1/2"	J 21'-0 3/4"
K 24'-8 7/8"	K 22'-1 1/4"
L 22'-1 1/8"	L 24'-9 5/8"
M 21'-0 3/4"	M 25'-11 1/4"

NOTICE

SWIMMING POOLS AND ACCESSORIES (INCLUDING DIVING BOARDS) ARE DANGEROUS WHEN IMPROPERLY USED OR INSTALLED. IT IS THE RESPONSIBILITY OF MUNICIPAL OFFICIALS, BUILDERS AND POOL OWNERS TO ADHERE TO ALL SAFETY RECOMMENDATIONS AND STANDARDS ISSUED BY THE POOL & HOT TUB COUNCIL, LOCAL AUTHORITIES AND EQUIPMENT MANUFACTURERS. PLEASE REFER TO DIVING BOARD MANUFACTURERS FOR CORRECT POSITIONING AND INSTALLATION OF DIVING EQUIPMENT.



HIGHBURY POOLS LTD

ODYSEE II - LEFT 22 x 25 x 44

DRAWING REFERENCE #
50-22-44-1

DRAWN BY: JK
REV. 26 AUG 13
SHEET 2 OF 2