

MISCELLANEOUS INFORMATION

PERIMETER:	82'
SURFACE AREA:	455 SQ FT
VOLUME:	13863 IMP GALS 63077 LITER

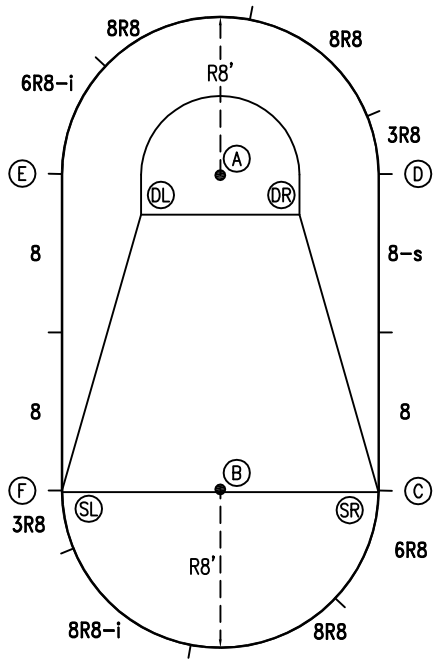
CONCRETE DECK INFO

WIDTH	AREA	NET INCREASES FOR:			
		STEPS	DIVING	SLIDE	ROLLER
2'	176	13	27	24	10
2'6"	225	17	31	20	10
3'	274	20	36	16	10

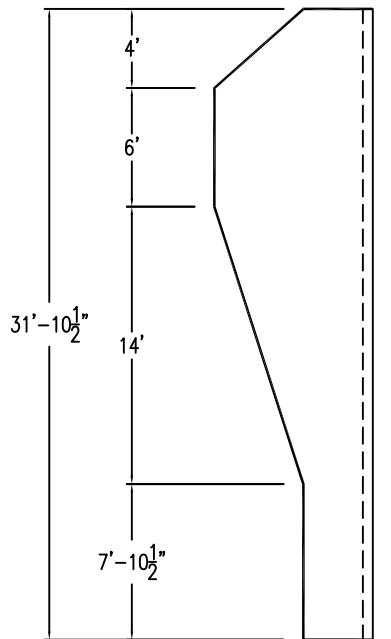
All Figures Represent "Sq Ft"

PARTS LIST

CODE	QTY	DESCRIPTION
3R8	2	3' Plain x 8' Radius
8R8-i	1	8' Return x 8' Radius
8R8	3	8' Plain x 8' Radius
6R8	1	6' Plain x 8' Radius
8	3	8' Plain
8-s	1	8' Skimmer
6R8-i	1	6' Return x 8' Radius
AF	12	A-Frame
S	24	Stakes
NB	72	Nuts & Bolts



6" WATER LINE



INSTALLATION DATA

From Point "A" to:-		From Point "B" to:-	
B	15'-10 1/4"	B	8'-0"
C	17'-9 3/4"	C	8'-0"
D	8'-0"	D	17'-9 3/4"
E	8'-0"	E	17'-9 3/4"
F	17'-9 3/4"	F	8'-0"
SL	17'-9 3/4"	SL	8'-0"
SR	17'-10 1/2"	SR	8'-0"
DL	4'-5 1/2"	DL	14'-5 1/4"
DR	4'-5 1/2"	DR	14'-5 1/4"

NOTICE

SWIMMING POOLS AND ACCESSORIES (INCLUDING DIVING BOARDS) ARE DANGEROUS WHEN IMPROPERLY USED OR INSTALLED. IT IS THE RESPONSIBILITY OF MUNICIPAL OFFICIALS, BUILDERS AND POOL OWNERS TO ADHERE TO ALL SAFETY RECOMMENDATIONS AND STANDARDS ISSUED BY THE POOL & HOT TUB COUNCIL, LOCAL AUTHORITIES AND EQUIPMENT MANUFACTURERS. PLEASE REFER TO DIVING BOARD MANUFACTURERS FOR CORRECT POSITIONING AND INSTALLATION OF DIVING EQUIPMENT.

*ALL DIMENSIONS ARE FINISHED

