

MISCELLANEOUS INFORMATION

PERIMETER:	86'
SURFACE AREA:	504 SQ FT
VOLUME:	15114 IMP GALS 68769 LITER

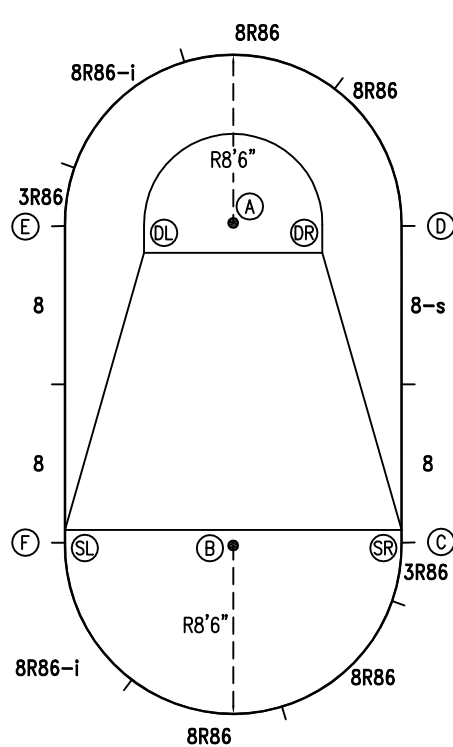
PARTS LIST

CODE	QTY	DESCRIPTION
8R86-i	2	8' Return x 8'6" Radius
8R86	4	8' Plain x 8'6" Radius
3R86	2	3' Plain x 8'6" Radius
8	3	8' Plain
8-s	1	8' Skimmer
AF	12	A-Frame
S	24	Stakes
NB	72	Nuts & Bolts

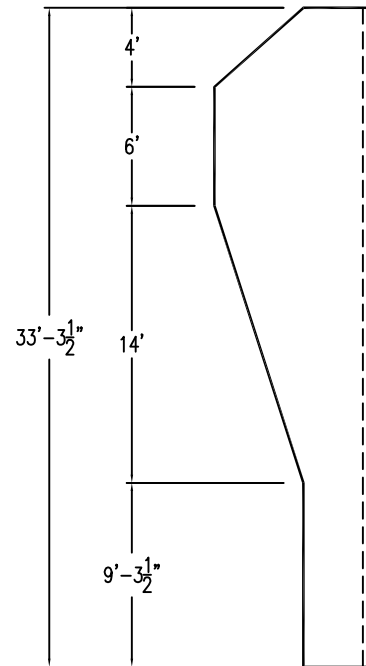
CONCRETE DECK INFO

WIDTH	AREA	NET INCREASES FOR:			
		STEPS	DIVING	SLIDE	ROLLER
2'	185	13	27	24	10
2'6"	235	17	31	20	10
3'	286	20	36	16	10

All Figures Represent "Sq Ft"

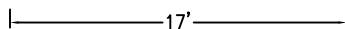


6" WATER LINE

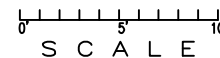


INSTALLATION DATA

From Point "A" to:-		From Point "B" to:-	
B	16'-3 1/2"	B	8'-5 3/4"
C	18'-2 3/4"	C	8'-5 3/4"
D	8'-5 3/4"	D	18'-2 3/4"
E	8'-5 3/4"	E	18'-2 3/4"
F	18'-2 3/4"	F	8'-5 3/4"
SL	17'-8"	SL	8'-6 1/4"
SR	17'-8"	SR	8'-6 1/4"
DL	4'-8 3/4"	DL	15'-5 1/2"
DR	4'-8 3/4"	DR	15'-5 1/2"



*ALL DIMENSIONS ARE FINISHED



NOTICE

SWIMMING POOLS AND ACCESSORIES (INCLUDING DIVING BOARDS) ARE DANGEROUS WHEN IMPROPERLY USED OR INSTALLED. IT IS THE RESPONSIBILITY OF MUNICIPAL OFFICIALS, BUILDERS AND POOL OWNERS TO ADHERE TO ALL SAFETY RECOMMENDATIONS AND STANDARDS ISSUED BY THE POOL & HOT TUB COUNCIL, LOCAL AUTHORITIES AND EQUIPMENT MANUFACTURERS. PLEASE REFER TO DIVING BOARD MANUFACTURERS FOR CORRECT POSITIONING AND INSTALLATION OF DIVING EQUIPMENT.

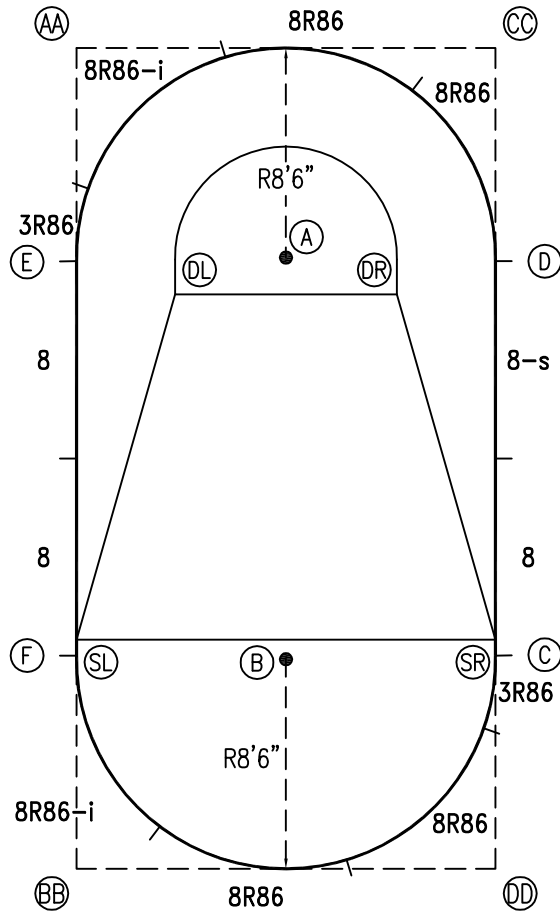
HIGHBURY POOLS LTD

OVAL - 17 x 33

DRAWING REFERENCE #
53-17-33-1

DRAWN BY: JK
REV. 29 JUL 13
SHEET 1 OF 2

PERIMETER: 86'



EXTERNAL INSTALLATION DATA

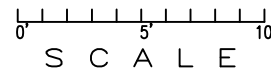
AA TO:	BB TO:	CC TO:	DD TO:
AA --	AA 33'-3 1/2"	AA 17'-0"	AA 37'-4 1/2"
BB --	BB --	BB 37'-4 1/2"	BB 17'-0"
CC --	CC --	CC --	CC 33'-3 1/2"
A 12'-0 1/4"	A 26'-2 1/2"	A 12'-0 1/4"	A 26'-2 1/2"
B 26'-2 1/2"	B 12'-0 1/4"	B 26'-2 1/2"	B 12'-0 1/4"
C 29'-11 1/4"	C 19'-0 3/4"	C 24'-7 3/4"	C 8'-7 3/4"
D 19'-0 3/4"	D 29'-11 1/4"	D 8'-7 3/4"	D 24'-7 3/4"
E 8'-7 3/4"	E 24'-7 3/4"	E 19'-0 3/4"	E 29'-11 1/4"
F 24'-7 3/4"	F 8'-7 3/4"	F 29'-11 1/4"	F 19'-0 3/4"
SL 24'-0"	SL 9'-3 1/2"	SL 29'-4 3/4"	SL 19'-4 1/2"
SR 29'-4 3/4"	SR 19'-4 1/2"	SR 24'-0"	SR 9'-3 1/2"
DL 10'-9 1/4"	DL 23'-7 1/2"	DL 16'-4 3/4"	DL 26'-8"
DR 16'-4 3/4"	DR 26'-8"	DR 10'-9 1/4"	DR 23'-7 1/2"

DIAGONALS

From Point "C" to:-	From Point "D" to:-
D 16'-0"	D
E 23'-4 1/8"	E 17'-0"
F 17'-0"	F 23'-4 1/8"

NOTICE

SWIMMING POOLS AND ACCESSORIES (INCLUDING DIVING BOARDS) ARE DANGEROUS WHEN IMPROPERLY USED OR INSTALLED. IT IS THE RESPONSIBILITY OF MUNICIPAL OFFICIALS, BUILDERS AND POOL OWNERS TO ADHERE TO ALL SAFETY RECOMMENDATIONS AND STANDARDS ISSUED BY THE POOL & HOT TUB COUNCIL, LOCAL AUTHORITIES AND EQUIPMENT MANUFACTURERS. PLEASE REFER TO DIVING BOARD MANUFACTURERS FOR CORRECT POSITIONING AND INSTALLATION OF DIVING EQUIPMENT.



HIGHBURY POOLS LTD

OVAL - 17 x 33

DRAWING REFERENCE #
53-17-33-1

DRAWN BY:JK
REV. 29 JUL 13
SHEET 2 OF 2