

MISCELLANEOUS INFORMATION

PERIMETER:	101'
SURFACE AREA:	731 SQ FT
VOLUME:	21643 IMP GALS 98476 LITER

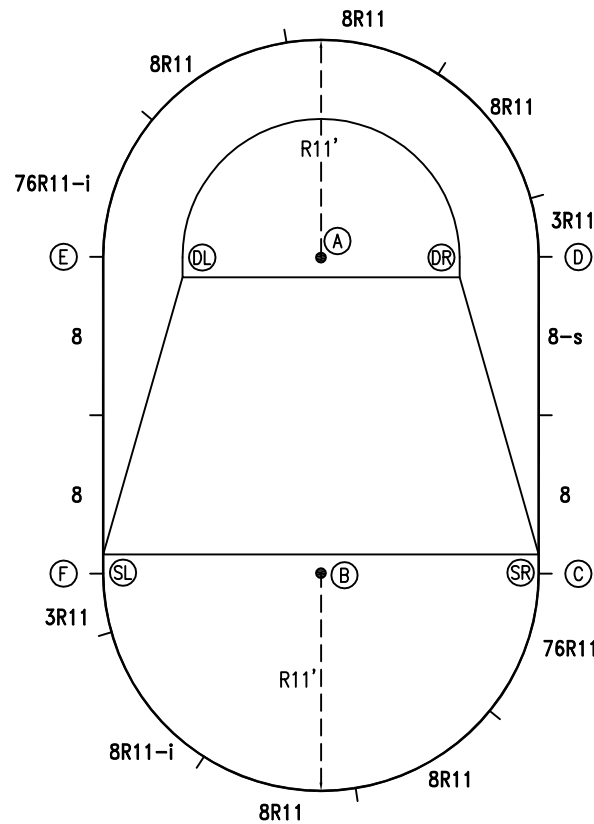
CONCRETE DECK INFO

WIDTH	AREA	NET INCREASES FOR:			
		STEPS	DIVING	SLIDE	ROLLER
2'	214	13	27	24	10
2'6"	272	17	31	20	10
3'	331	20	36	16	10

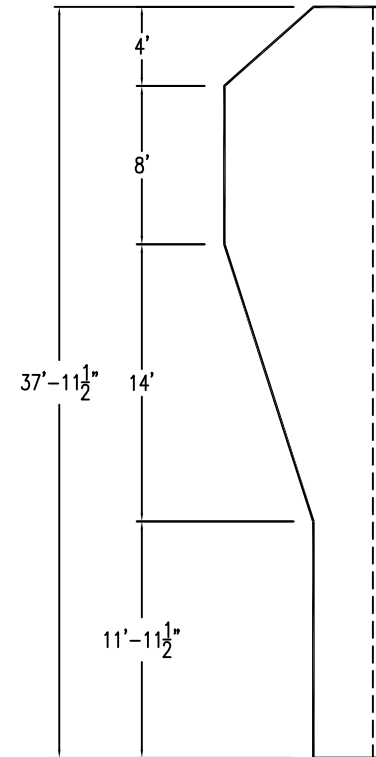
All Figures Represent "Sq Ft"

PARTS LIST

CODE	QTY	DESCRIPTION
3R11	2	3' Plain x 11' Radius
8R11-i	1	8' Return x 11' Radius
8R11	5	8' Plain x 11' Radius
76R11	1	7'6" Plain x 11' Radius
8	3	8' Plain
8-s	1	8' Skimmer
76R11-i	1	7'6" Return x 11' Radius
AF	14	A-Frame
S	28	Stakes
NB	84	Nuts & Bolts



6" WATER LINE

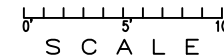


INSTALLATION DATA

From Point "A" to:-		From Point "B" to:-	
B	15'-11 1/4"	B	11'-0"
C	19'-4 3/4"	C	19'-4 3/4"
D	11'-0"	D	19'-4 3/4"
E	11'-0"	E	19'-4 3/4"
F	19'-4 3/4"	F	11'-0"
SL	18'-7 1/4"	SL	11'-0 1/2"
SR	18'-7 1/4"	SR	11'-0 1/2"
DL	7'-0 3/4"	DL	16'-6"
DR	7'-0 3/4"	DR	16'-6"

22'

*ALL DIMENSIONS ARE FINISHED



NOTICE

SWIMMING POOLS AND ACCESSORIES (INCLUDING DIVING BOARDS) ARE DANGEROUS WHEN IMPROPERLY USED OR INSTALLED. IT IS THE RESPONSIBILITY OF MUNICIPAL OFFICIALS, BUILDERS AND POOL OWNERS TO ADHERE TO ALL SAFETY RECOMMENDATIONS AND STANDARDS ISSUED BY THE POOL & HOT TUB COUNCIL, LOCAL AUTHORITIES AND EQUIPMENT MANUFACTURERS. PLEASE REFER TO DIVING BOARD MANUFACTURERS FOR CORRECT POSITIONING AND INSTALLATION OF DIVING EQUIPMENT.

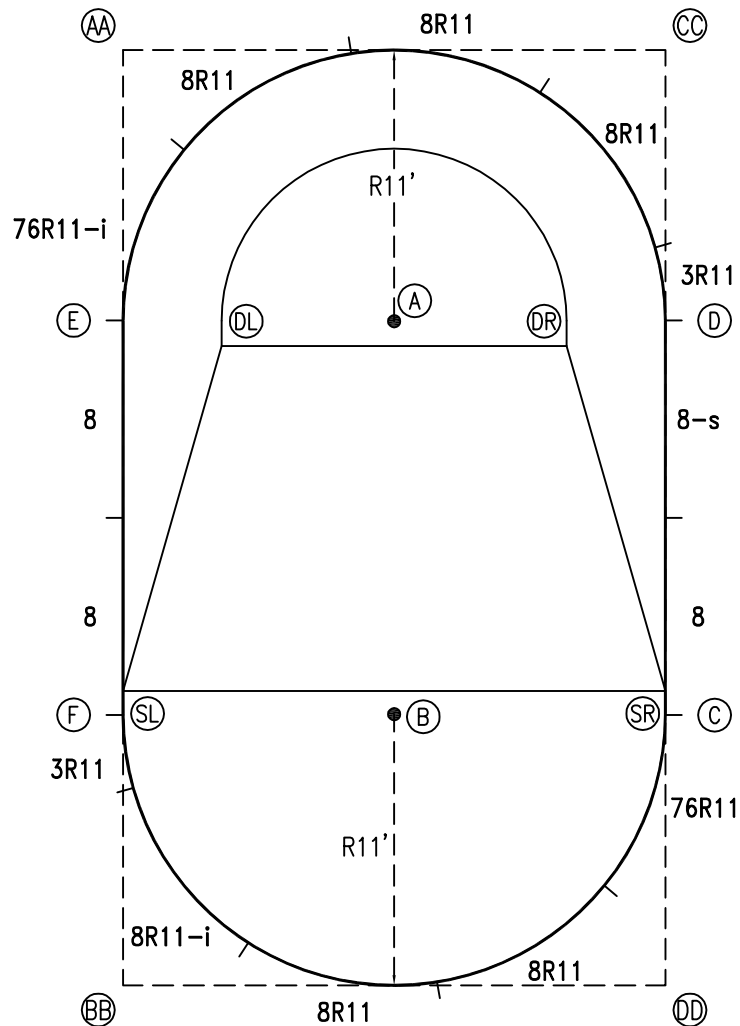
HIGHBURY POOLS LTD

OVAL - 22 x 38

DRAWING REFERENCE #
53-22-38-1

DRAWN BY: JK
REV. 29 JUL 13
SHEET 1 OF 2

PERIMETER: 101'

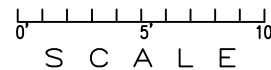


EXTERNAL INSTALLATION DATA

AA TO:	BB TO:	CC TO:	DD TO:
AA --	AA 37'-11 1/4"	AA 22'-0"	AA 43'-10 1/4"
BB --	BB --	BB 43'-10 1/4"	BB 22'-0"
CC --	CC --	CC --	CC 37'-11 1/4"
A 15'-6 1/2"	A 29'-1 1/4"	A 15'-6 1/2"	A 29'-1 1/4"
B 29'-1 1/4"	B 15'-6 1/2"	B 29'-1 1/4"	B 15'-6 1/2"
C 34'-9 1/2"	C 24'-7"	C 26'-11 1/2"	C 10'-11 1/2"
D 24'-7"	D 34'-9 1/2"	D 10'-11 1/2"	D 26'-11 1/2"
E 10'-11 1/2"	E 26'-11 1/2"	E 24'-7"	E 34'-9 1/2"
F 26'-11 1/2"	F 10'-11 1/2"	F 34'-9 1/2"	F 24'-7"
SL 26'-0"	SL 11'-11 1/4"	SL 34'-0 3/4"	SL 25'-0 1/4"
SR 34'-0 3/4"	SR 25'-0 1/4"	SR 26'-0"	SR 11'-11 1/4"
DL 12'-7 3/4"	DL 26'-2 3/4"	DL 21'-7 1/2"	DL 31'-6 3/4"
DR 21'-7 1/2"	DR 31'-6 3/4"	DR 12'-7 3/4"	DR 26'-2 3/4"

DIAGONALS

From Point "C" to:-	From Point "D" to:-
D 16'-0"	D 16'-0"
E 27'-2 3/8"	E 22'-0"
F 22'-0"	F 27'-2 3/8"



NOTICE

SWIMMING POOLS AND ACCESSORIES (INCLUDING DIVING BOARDS) ARE DANGEROUS WHEN IMPROPERLY USED OR INSTALLED. IT IS THE RESPONSIBILITY OF MUNICIPAL OFFICIALS, BUILDERS AND POOL OWNERS TO ADHERE TO ALL SAFETY RECOMMENDATIONS AND STANDARDS ISSUED BY THE POOL & HOT TUB COUNCIL, LOCAL AUTHORITIES AND EQUIPMENT MANUFACTURERS. PLEASE REFER TO DIVING BOARD MANUFACTURERS FOR CORRECT POSITIONING AND INSTALLATION OF DIVING EQUIPMENT.

HIGHBURY POOLS LTD

OVAL - 22 x 38

DRAWING REFERENCE #
53-22-38-1

DRAWN BY: JK
REV. 29 JUL 13
SHEET 2 OF 2