

MISCELLANEOUS INFORMATION

PERIMETER:	64'10"
SURFACE AREA:	252 SQ FT
VOLUME:	6315 IMP GALS 28733 LITER

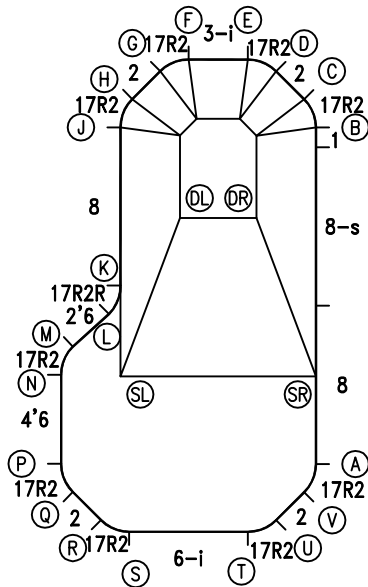
CONCRETE DECK INFO

WIDTH	AREA	NET INCREASES FOR:			
		STEPS	DIVING	SLIDE	ROLLER
2'	142	13	27	24	10
2'6"	181	17	31	20	10
3'	0	20	36	16	10

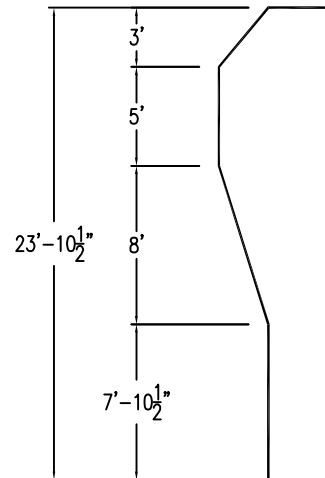
All Figures Represent "Sq Ft"

PARTS LIST

CODE	QTY	DESCRIPTION
17R2	9	1'7" Plain x 2' Radius
8	2	8' Plain
8-s	1	8' Skimmer
1	1	1' Plain
2	4	2' Plain
3-i	1	3' Return
17R2R	1	1'7" Plain x 2' Reverse Radius
2'6"	1	2'6" Plain
4'6"	1	4'6" Plain
6-i	1	6' Return
AF	22	A-Frame
S	44	Stakes
NB	132	Nuts & Bolts



6" WATER LINE



INSTALLATION DATA

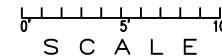
From Point "A" to:-		From Point "B" to:-	
B	17'-0"	B	1'-6 1/2"
C	18'-5 1/4"	C	3'-5 3/4"
D	19'-11 1/4"	D	4'-10 1/4"
E	20'-8 1/2"	E	7'-3 1/2"
F	21'-5"	F	8'-4 1/4"
G	21'-4"	G	9'-4 1/2"
H	20'-7 1/2"	H	9'-10 1/4"
J	19'-7 3/4"	J	12'-8 1/4"
K	13'-4 1/4"	K	14'-0 3/4"
L	12'-10 3/4"	L	16'-6 1/2"
M	13'-7 1/2"	M	17'-11 1/4"
N	13'-7 1/2"	N	21'-3 3/4"
P	12'-10 1/4"	P	22'-1 1/2"
Q	12'-4 1/4"	Q	22'-7 1/4"
R	11'-2 1/2"	R	22'-5 3/4"
S	10'-0 1/2"	S	20'-8 1/2"
T	4'-10 1/4"	T	19'-11 1/4"
U	3'-5 3/4"	U	18'-5 1/4"
V	1'-6 1/2"	V	15'-11 3/4"
SL	10'-9 3/4"	SL	12'-6 3/4"
SR	4'-5 1/4"	SR	8'-2 3/4"
DL	14'-2 1/2"	DL	5'-5 1/2"
DR	12'-9 1/2"	DR	

NOTICE

SWIMMING POOLS AND ACCESSORIES (INCLUDING DIVING BOARDS) ARE DANGEROUS WHEN IMPROPERLY USED OR INSTALLED. IT IS THE RESPONSIBILITY OF MUNICIPAL OFFICIALS, BUILDERS AND POOL OWNERS TO ADHERE TO ALL SAFETY RECOMMENDATIONS AND STANDARDS ISSUED BY THE POOL & HOT TUB COUNCIL, LOCAL AUTHORITIES AND EQUIPMENT MANUFACTURERS. PLEASE REFER TO DIVING BOARD MANUFACTURERS FOR CORRECT POSITIONING AND INSTALLATION OF DIVING EQUIPMENT.

12'-10 1/2"

*ALL DIMENSIONS ARE FINISHED



HIGHBURY POOLS LTD

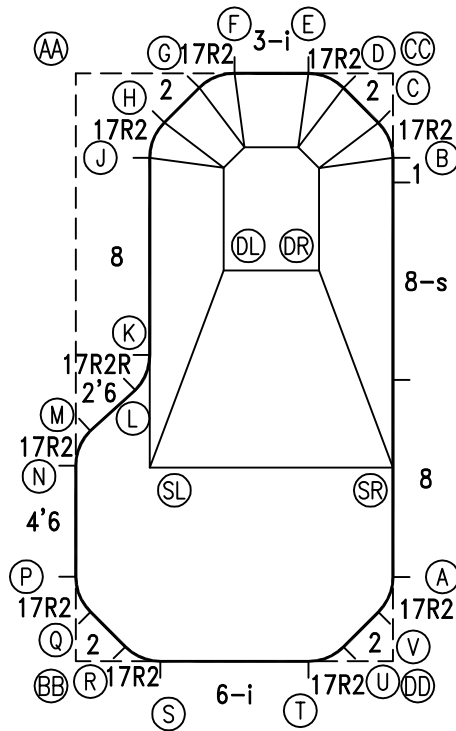
PARADISE - LEFT 10 x 13 x 24

DRAWING REFERENCE #
57-10-24-1

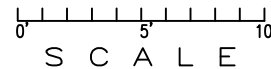
DRAWN BY: JK
REV. 29 JUL 13
SHEET 1 OF 2

PERIMETER: 64'10"

EXTERNAL INSTALLATION DATA



AA TO:	BB TO:	CC TO:	DD TO:
AA --	AA 23'-10 1/4"	AA 12'-10 1/4"	AA 27'-1 1/4"
BB --	BB --	BB 27'-1 1/4"	BB 12'-10 1/4"
CC --	CC --	CC --	CC 23'-10 1/4"
A 24'-1 3/4"	A 13'-3 3/4"	A 20'-5 1/4"	A 3'-5"
B 13'-3 3/4"	B 24'-1 1/2"	B 3'-5 1/4"	B 20'-5"
C 12'-5 1/4"	C 25'-0 3/4"	C 2'-1"	C 21'-10 1/4"
D 10'-10 1/2"	D 25'-8"	D 2'-1"	D 23'-4"
E 9'-5 1/4"	E 25'-7 3/4"	E 3'-5 1/4"	E 24'-1 1/4"
F 6'-5 1/4"	F 24'-8 1/2"	F 6'-5 1/4"	F 24'-8 1/2"
G 5'-0 1/2"	G 23'-9 1/2"	G 7'-10 1/2"	G 24'-6 3/4"
H 4'-1 1/4"	H 22'-1 3/4"	H 9'-5 3/4"	H 23'-8 3/4"
J 4'-6 1/2"	J 20'-7 3/4"	J 10'-5 1/4"	J 22'-8 1/4"
K 11'-9 3/4"	K 12'-9 1/2"	K 15'-1"	K 15'-10 1/2"
L 13'-0 3/4"	L 11'-3 1/4"	L 16'-6 3/4"	L 15'-2"
M 14'-6 1/4"	M 9'-4 1/4"	M 19'-0"	M 15'-5 1/4"
N 15'-11"	N 7'-11 1/4"	N 20'-5 1/2"	N 15'-1 1/4"
P 20'-5"	P 3'-5 1/4"	P 24'-1 1/2"	P 13'-3 3/4"
Q 21'-10 1/4"	Q 2'-1"	Q 25'-0 3/4"	Q 12'-5 1/4"
R 23'-4"	R 2'-1"	R 25'-8"	R 10'-10 1/2"
S 24'-1 1/4"	S 3'-5 1/4"	S 25'-7 3/4"	S 9'-5 1/4"
T 25'-7 3/4"	T 9'-5 1/4"	T 24'-1 1/4"	T 3'-5 1/4"
U 25'-8"	U 10'-10 1/2"	U 23'-4 1/4"	U 2'-1"
V 25'-0 3/4"	V 12'-5 1/4"	V 21'-10 1/4"	V 2'-1"
SL 16'-3 1/4"	SL 8'-4 3/4"	SL 18'-9 1/2"	SL 12'-7 1/4"
SR 20'-6 1/4"	SR 15'-0 3/4"	SR 16'-0"	SR 7'-10 1/4"
DL 10'-0"	DL 16'-11 1/2"	DL 10'-6 1/2"	DL 17'-3 1/4"
DR 12'-8 1/2"	DR 18'-8"	DR 8'-6 1/2"	DR 16'-1 1/2"



NOTICE

SWIMMING POOLS AND ACCESSORIES (INCLUDING DIVING BOARDS) ARE DANGEROUS WHEN IMPROPERLY USED OR INSTALLED. IT IS THE RESPONSIBILITY OF MUNICIPAL OFFICIALS, BUILDERS AND POOL OWNERS TO ADHERE TO ALL SAFETY RECOMMENDATIONS AND STANDARDS ISSUED BY THE POOL & HOT TUB COUNCIL, LOCAL AUTHORITIES AND EQUIPMENT MANUFACTURERS. PLEASE REFER TO DIVING BOARD MANUFACTURERS FOR CORRECT POSITIONING AND INSTALLATION OF DIVING EQUIPMENT.

HIGHBURY POOLS LTD

PARADISE - LEFT 10 x 13 x 24

DRAWING REFERENCE #
57-10-24-1

DRAWN BY: JK
REV. 29 JUL 13
SHEET 2 OF 2