

**MISCELLANEOUS INFORMATION**

PERIMETER:	84'10"
SURFACE AREA:	419 SQ FT
VOLUME:	10423 IMP GALS 47425 LITER

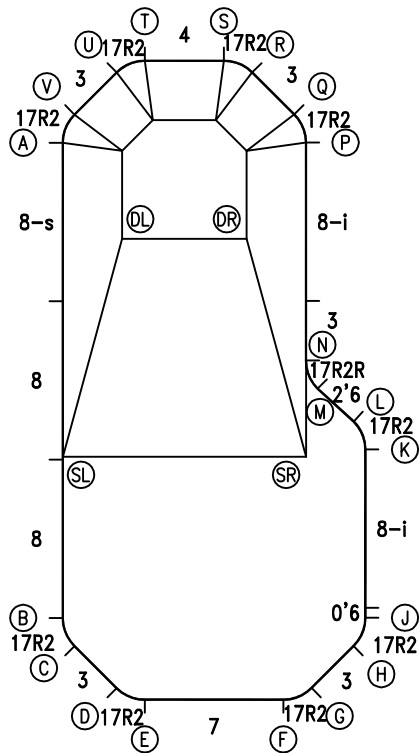
**CONCRETE DECK INFO**

WIDTH	AREA	NET INCREASES FOR:			
		STEPS	DIVING	SLIDE	ROLLER
2'	182	13	27	24	10
2'6"	231	17	31	20	10
3'	0	20	36	16	10

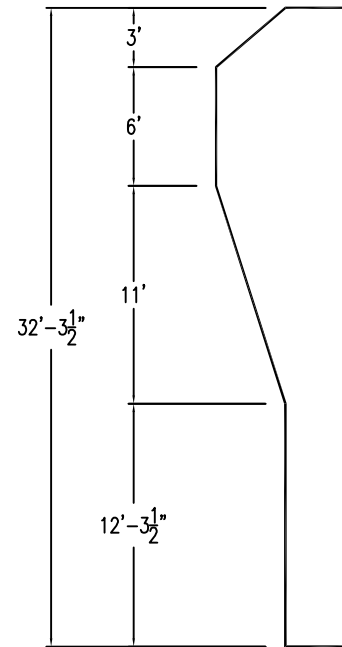
All Figures Represent "Sq Ft"

**PARTS LIST**

CODE	QTY	DESCRIPTION
17R2	9	1'7" Plain x 2' Radius
8	2	8' Plain
8-s	1	8' Skimmer
3	5	3' Plain
4	1	4' Plain
8-i	2	8' Return
17R2R	1	1'7" Plain x 2' Reverse Radius
2'6"	1	2'6" Plain
0'6"	1	0'6" Plain
7	1	7' Plain
AF	24	A-Frame
S	48	Stakes
NB	144	Nuts & Bolts



6" WATER LINE

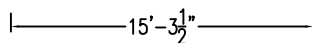


**INSTALLATION DATA**

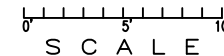
From Point "A" to:-		From Point "B" to:-	
B	24'-0"	B	1'-6 1/2"
C	25'-5 1/4"	C	4'-5 1/2"
D	27'-8 1/4"	D	5'-10"
E	28'-5 1/4"	E	11'-10 1/2"
F	30'-3"	F	13'-0 1/2"
G	30'-3 1/4"	G	14'-9"
H	29'-4 1/4"	H	15'-3 1/4"
J	28'-5 1/4"	J	17'-5 3/4"
K	21'-9"	K	17'-8 3/4"
L	20'-4 1/4"	L	17'-3 3/4"
M	17'-10 1/2"	M	17'-10 3/4"
N	16'-5 3/4"	N	26'-11 1/2"
P	12'-3 1/4"	P	28'-0"
Q	11'-9 1/4"	Q	29'-2"
R	10'-2 1/2"	R	29'-3 1/2"
S	9'-1 3/4"	S	27'-8 1/4"
T	5'-10 1/4"	T	25'-5 1/4"
U	4'-5 1/2"	U	8'-1 3/4"
V	1'-6 1/2"	V	14'-8 3/4"
SL	15'-10 1/4"	DL	19'-4 1/2"
SR	20'-0 3/4"	DR	21'-3 1/4"

**NOTICE**

SWIMMING POOLS AND ACCESSORIES (INCLUDING DIVING BOARDS) ARE DANGEROUS WHEN IMPROPERLY USED OR INSTALLED. IT IS THE RESPONSIBILITY OF MUNICIPAL OFFICIALS, BUILDERS AND POOL OWNERS TO ADHERE TO ALL SAFETY RECOMMENDATIONS AND STANDARDS ISSUED BY THE POOL & HOT TUB COUNCIL, LOCAL AUTHORITIES AND EQUIPMENT MANUFACTURERS. PLEASE REFER TO DIVING BOARD MANUFACTURERS FOR CORRECT POSITIONING AND INSTALLATION OF DIVING EQUIPMENT.



\*ALL DIMENSIONS ARE FINISHED

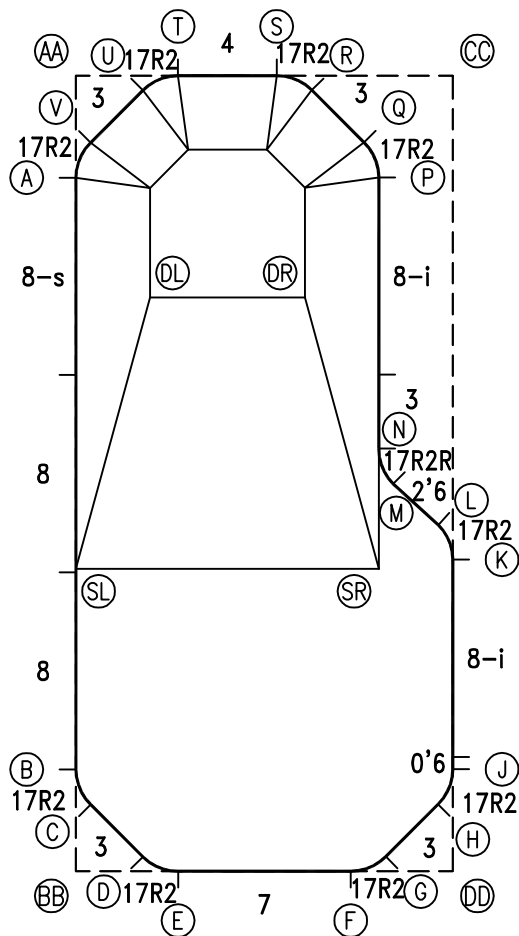


**HIGHBURY POOLS LTD**

PARADISE - RIGHT 12 x 15 x 32

DRAWING REFERENCE #  
57-12-32-2

DRAWN BY: JK  
REV. 30 JUL 13  
SHEET 1 OF 2



EXTERNAL INSTALLATION DATA

AA TO:	BB TO:	CC TO:	DD TO:
AA ---	AA 32'-3 1/4"	AA 15'-3 1/4"	AA 35'-8 1/2"
BB ---	BB ---	BB 35'-8 1/2"	BB 15'-3 1/4"
CC ---	CC ---	CC ---	CC 32'-3 1/4"
A 4'-1 1/2"	A 28'-1 1/2"	A 15'-10"	A 32'-0 1/4"
B 28'-1 3/4"	B 4'-1 1/2"	B 32'-0 1/4"	B 15'-9 3/4"
C 29'-6 3/4"	C 2'-9 1/4"	C 33'-0 1/4"	C 14'-11 1/4"
D 31'-9 1/2"	D 2'-9 1/4"	D 34'-1"	D 12'-6 3/4"
E 32'-6 1/2"	E 4'-1 1/2"	E 34'-1 3/4"	E 11'-1 3/4"
F 34'-1 3/4"	F 11'-1 3/4"	F 32'-6 1/2"	F 4'-1 1/2"
G 34'-0 3/4"	G 12'-6 3/4"	G 31'-9 1/2"	G 2'-9 1/4"
H 33'-0"	H 14'-11 1/4"	H 29'-6 3/4"	H 2'-9 1/4"
J 32'-0 1/4"	J 15'-10"	J 28'-1 1/2"	J 4'-1 1/2"
K 24'-10 1/2"	K 19'-9 3/4"	K 19'-7 1/2"	K 12'-7 1/2"
L 23'-4 3/4"	L 20'-4"	L 18'-2 3/4"	L 14'-0 3/4"
M 20'-11 1/2"	M 20'-3 3/4"	M 16'-8 3/4"	M 15'-10 3/4"
N 19'-5 3/4"	N 21'-1"	N 15'-5"	N 17'-4 3/4"
P 12'-11 1/2"	P 30'-8 1/2"	P 5'-1 1/4"	P 28'-3 1/2"
Q 12'-0"	Q 31'-9 1/2"	Q 4'-6"	Q 29'-9 1/2"
R 9'-7"	R 33'-1 1/4"	R 5'-8 3/4"	R 32'-2 1/4"
S 8'-1 3/4"	S 33'-3 1/2"	S 7'-1 1/2"	S 33'-0 1/2"
T 4'-1 1/2"	T 32'-6 1/2"	T 11'-1 3/4"	T 34'-1 3/4"
U 2'-9 1/4"	U 31'-9 1/2"	U 12'-6 3/4"	U 34'-0 3/4"
V 2'-9 1/4"	V 29'-6 3/4"	V 14'-11 1/4"	V 33'-0"
SL 20'-0"	SL 12'-3 1/4"	SL 25'-2"	SL 19'-7 1/4"
SR 23'-5 1/2"	SR 17'-4 1/4"	SR 20'-2 1/2"	SR 12'-7 1/2"
DL 9'-5 3/4"	DL 23'-5 1/2"	DL 15'-2 3/4"	DL 26'-3 3/4"
DR 12'-11"	DR 25'-0 3/4"	DR 10'-9 3/4"	DR 24'-0 1/2"

NOTICE

SWIMMING POOLS AND ACCESSORIES (INCLUDING DIVING BOARDS) ARE DANGEROUS WHEN IMPROPERLY USED OR INSTALLED. IT IS THE RESPONSIBILITY OF MUNICIPAL OFFICIALS, BUILDERS AND POOL OWNERS TO ADHERE TO ALL SAFETY RECOMMENDATIONS AND STANDARDS ISSUED BY THE POOL & HOT TUB COUNCIL, LOCAL AUTHORITIES AND EQUIPMENT MANUFACTURERS. PLEASE REFER TO DIVING BOARD MANUFACTURERS FOR CORRECT POSITIONING AND INSTALLATION OF DIVING EQUIPMENT.

