

MISCELLANEOUS INFORMATION

PERIMETER:-	64'-7 1/2"
SURFACE AREA:	251.8 SQ FT
VOLUME:	5840 IMP GALS 26575 L

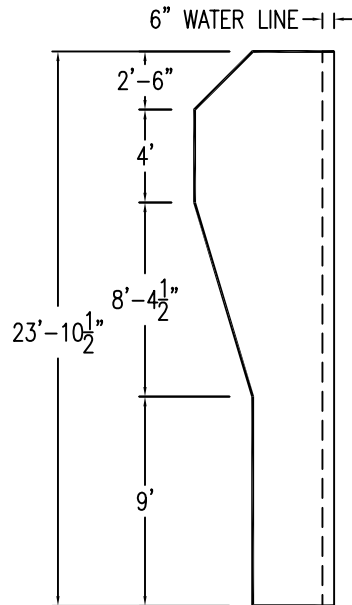
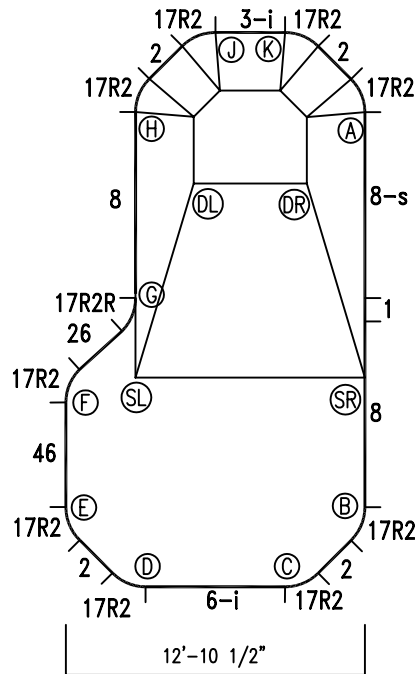
CONCRETE DECK INFO

WIDTH	AREA	NET INCREASES FOR:			
		STEPS	DIVING	SLIDE	ROLLER
2'	142	13	27	24	10
2'6"	182	17	31	20	10
3'	223	20	36	16	10

All Figures Represent "Sq Ft"

PARTS LIST

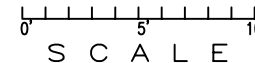
CODE	QTY	DESCRIPTION
8-s	1	8' Skimmer
6-i	1	6' Return
3-i	1	3' Return
8	2	8' Plain
46	1	4'6" Plain
26	1	2'6" Plain
2	4	2' Plain
1	1	1' Plain
17R2	9	1'7" Plain x 2' Radius
17R2R	1	1'7" Plain x 2' Reverse Rad
AF	22	A-Frame
S	44	Stake
NB	132	Nuts & Bolts



INSTALLATION DATA

From Point "A" to:-		From Point "B" to:-	
B	17'-0"	B	4'-10 1/4"
C	20'-8 1/2"	C	10'-0 1/2"
D	22'-5 7/8"	D	12'-10 3/8"
E	21'-3 3/4"	E	13'-7 5/8"
F	17'-11 1/4"	F	13'-4 1/8"
G	12'-8 5/8"	G	19'-7 7/8"
H	9'-10 3/8"	H	21'-5"
J	7'-3 1/2"	J	20'-8 5/8"
K	4'-10 1/4"	SL	11'-4"
SL	15'-1 1/8"	SR	5'-6 7/8"
SR	11'-5 1/8"	DL	15'-9 1/8"
DL	7'-11 3/4"	DR	14'-1 7/8"
DR	3'-11 1/2"		

*ALL DIMENSIONS ARE FINISHED

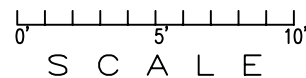
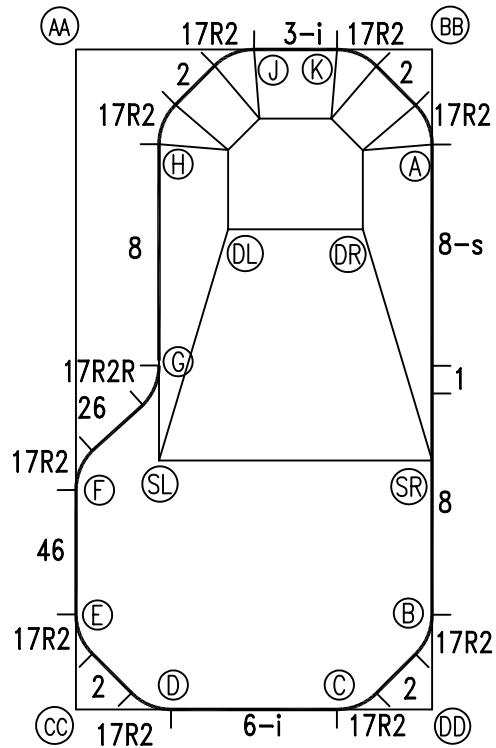


NOTICE

SWIMMING POOLS AND ACCESSORIES (INCLUDING DIVING BOARDS) ARE DANGEROUS WHEN IMPROPERLY USED OR INSTALLED. IT IS THE RESPONSIBILITY OF MUNICIPAL OFFICIALS, BUILDERS AND POOL OWNERS TO ADHERE TO ALL SAFETY RECOMMENDATIONS AND STANDARDS ISSUED BY THE POOL & HOT TUB COUNCIL, LOCAL AUTHORITIES AND EQUIPMENT MANUFACTURERS. PLEASE REFER TO DIVING BOARD MANUFACTURERS FOR CORRECT POSITIONING AND INSTALLATION OF DIVING EQUIPMENT.

EXTERNAL INSTALLATION DATA

AA TO:		BB TO:		CC TO:		DD TO:	
AA	--	AA	12'-10 3/8"	AA	23'-10 1/4"	AA	27'-1 1/4"
BB	--	BB	--	BB	27'-1 1/4"	BB	23'-10 1/4"
CC	--	CC	--	CC	--	CC	12'-10 3/8"
A	13'-3 7/8"	A	3'-5 1/4"	A	24'-1 5/8"	A	20'-5 1/8"
B	24'-1 3/4"	B	20'-5 1/4"	B	13'-3 3/4"	B	3'-5 1/8"
C	25'-7 7/8"	C	24'-1 1/8"	C	9'-5 1/2"	C	3'-4 7/8"
D	24'-1 1/4"	D	25'-7 7/8"	D	3'-5 1/4"	D	9'-5 1/4"
E	20'-5 1/8"	E	24'-1 5/8"	E	3'-5 1/4"	E	13'-3 7/8"
F	15'-11 1/8"	F	20'-5 5/8"	F	7'-11 1/4"	F	15'-1 3/8"
G	11'-9 3/4"	G	15'-1 1/8"	G	12'-9 1/2"	G	15'-10 1/2"
H	4'-6 5/8"	H	10'-5 3/8"	H	20'-7 7/8"	H	22'-8 1/4"
J	6'-5 1/4"	J	6'-5 1/4"	J	24'-8 1/2"	J	24'-8 1/2"
K	9'-5 1/4"	K	3'-5 1/4"	K	25'-7 7/8"	K	24'-1 1/4"
SL	15'-1 7/8"	SL	17'-10"	SL	9'-5 7/8"	SL	13'-4 1/4"
SR	19'-7 7/8"	SR	14'-10 1/4"	SR	15'-8 1/2"	SR	9'-0"
DL	8'-6 1/8"	DL	9'-9 7/8"	DL	18'-2 1/2"	DL	18'-10 1/4"
DR	12'-2 7/8"	DR	6'-11 5/8"	DR	20'-2 5/8"	DR	17'-6 3/8"



NOTICE

SWIMMING POOLS AND ACCESSORIES (INCLUDING DIVING BOARDS) ARE DANGEROUS WHEN IMPROPERLY USED OR INSTALLED. IT IS THE RESPONSIBILITY OF MUNICIPAL OFFICIALS, BUILDERS AND POOL OWNERS TO ADHERE TO ALL SAFETY RECOMMENDATIONS AND STANDARDS ISSUED BY THE POOL & HOT TUB COUNCIL, LOCAL AUTHORITIES AND EQUIPMENT MANUFACTURERS. PLEASE REFER TO DIVING BOARD MANUFACTURERS FOR CORRECT POSITIONING AND INSTALLATION OF DIVING EQUIPMENT.

HIGHBURY POOLS LTD

PARADISE-LEFT 10 x 13 x 24

DRAWING REFERENCE #
57-13-24-1

DRAWN BY: BC
REV. 14 DEC 2006
SHEET 2 OF 2