

MISCELLANEOUS INFORMATION

PERIMETER:	88'10"
SURFACE AREA:	483 SQ FT
VOLUME:	12367 IMP GALS 56270 LITER

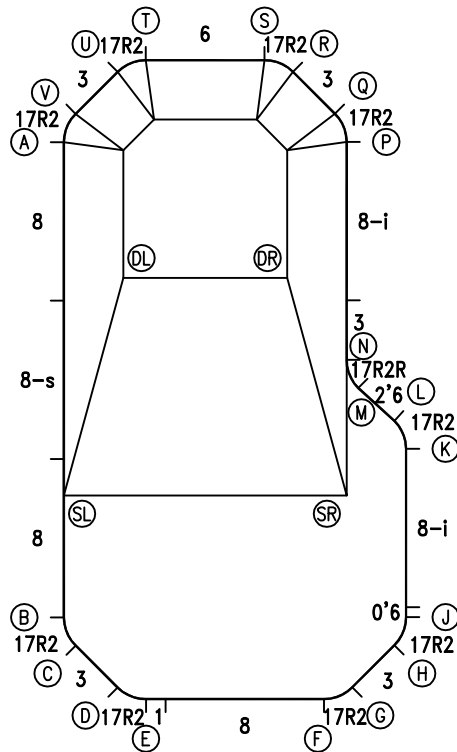
CONCRETE DECK INFO

WIDTH	AREA	NET INCREASES FOR:			
		STEPS	DIVING	SLIDE	ROLLER
2'	190	13	27	24	10
2'6"	242	17	31	20	10
3'	0	20	36	16	10

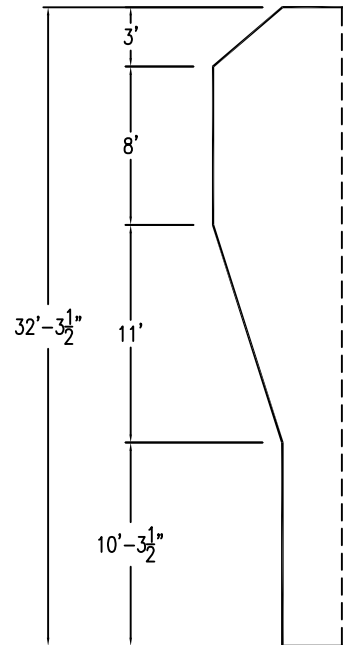
All Figures Represent "Sq Ft"

PARTS LIST

CODE	QTY	DESCRIPTION
17R2	9	1'7" Plain x 2' Radius
8	3	8' Plain
8-s	1	8' Skimmer
3	5	3' Plain
6	1	6' Plain
8-i	2	8' Return
17R2R	1	1'7" Plain x 2' Reverse Radius
2'6"	1	2'6" Plain
0'6"	1	0'6" Plain
1	1	1' Plain
AF	25	A-Frame
S	50	Stakes
NB	150	Nuts & Bolts



6" WATER LINE

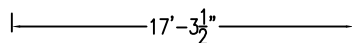


INSTALLATION DATA

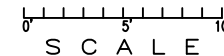
From Point "A" to:-		From Point "B" to:-	
B	24'-0"	B	1'-6 1/2"
C	25'-5 1/4"	C	4'-5 1/2"
D	27'-8 1/4"	D	5'-10 1/4"
E	28'-5 1/4"	E	13'-9 1/4"
F	31'-0 1/2"	F	14'-11 3/4"
G	31'-1 3/4"	G	16'-8 3/4"
H	30'-4 3/4"	H	17'-3 1/4"
J	29'-6 3/4"	J	19'-3"
K	23'-2 1/2"	K	19'-5"
L	21'-10"	L	18'-10 1/4"
M	19'-4 1/2"	M	19'-3 1/2"
N	18'-0 1/2"	N	27'-11 1/4"
P	14'-3 1/4"	P	28'-10 1/2"
Q	13'-9"	Q	29'-10 3/4"
R	12'-1 1/4"	R	27'-8 1/4"
S	10'-11 1/4"	S	25'-5 1/4"
T	5'-10 1/4"	T	6'-1 3/4"
U	4'-5 1/2"	U	15'-6 1/2"
V	1'-6 1/2"	V	17'-4 3/4"
SL	17'-10 1/4"	DL	20'-6 1/4"
SR	22'-10 1/4"		
DL	7'-5 3/4"		
DR	13'-2 1/2"		

NOTICE

SWIMMING POOLS AND ACCESSORIES (INCLUDING DIVING BOARDS) ARE DANGEROUS WHEN IMPROPERLY USED OR INSTALLED. IT IS THE RESPONSIBILITY OF MUNICIPAL OFFICIALS, BUILDERS AND POOL OWNERS TO ADHERE TO ALL SAFETY RECOMMENDATIONS AND STANDARDS ISSUED BY THE POOL & HOT TUB COUNCIL, LOCAL AUTHORITIES AND EQUIPMENT MANUFACTURERS. PLEASE REFER TO DIVING BOARD MANUFACTURERS FOR CORRECT POSITIONING AND INSTALLATION OF DIVING EQUIPMENT.



*ALL DIMENSIONS ARE FINISHED

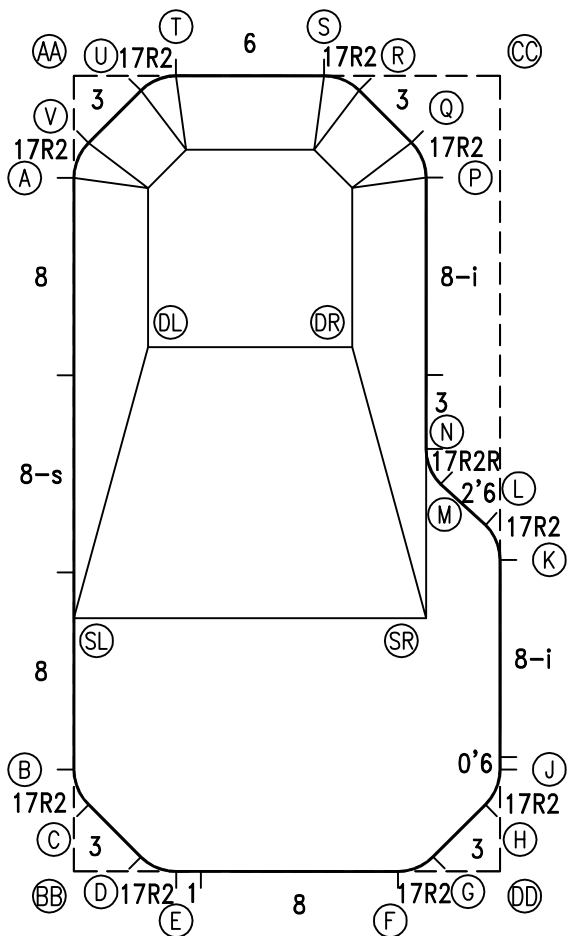


HIGHBURY POOLS LTD

PARADISE - RIGHT 14 x 17 x 32

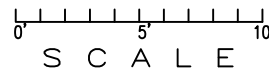
DRAWING REFERENCE #
57-14-32-2

DRAWN BY: JK
REV. 30 JUL 13
SHEET 1 OF 2



EXTERNAL INSTALLATION DATA

AA TO:	BB TO:	CC TO:	DD TO:
AA ---	AA 32'-3 1/4"	AA 17'-3 1/4"	AA 36'-7 1/4"
BB ---	BB ---	BB 36'-7 1/4"	BB 17'-3 1/4"
CC ---	CC ---	CC ---	CC 32'-3 1/4"
A 4'-1 1/2"	A 28'-1 1/2"	A 17'-9 1/4"	A 33'-0 1/4"
B 28'-1 3/4"	B 4'-1 1/2"	B 33'-0 1/4"	B 17'-9 1/4"
C 29'-6 3/4"	C 2'-9 1/4"	C 33'-11 1/4"	C 16'-10 3/4"
D 31'-9 1/2"	D 2'-9 1/4"	D 34'-10 1/2"	D 14'-6 3/4"
E 32'-6 1/2"	E 4'-1 3/4"	E 34'-10"	E 13'-1 1/2"
F 34'-10 1/4"	F 13'-1 3/4"	F 32'-6 1/2"	F 4'-1 1/2"
G 34'-10 1/4"	G 14'-6 3/4"	G 31'-9 1/2"	G 2'-9 1/4"
H 33'-11 1/4"	H 16'-10 3/4"	H 29'-6 3/4"	H 2'-9 1/4"
J 33'-0 1/4"	J 17'-9 1/4"	J 28'-1 1/2"	J 4'-1 1/2"
K 26'-1 3/4"	K 21'-4 3/4"	K 19'-7 1/2"	K 12'-7 1/2"
L 24'-8 1/2"	L 21'-9 3/4"	L 18'-2 3/4"	L 14'-0 3/4"
M 22'-3"	M 21'-7 1/2"	M 16'-8 3/4"	M 15'-10 3/4"
N 20'-9 3/4"	N 22'-3 1/2"	N 15'-5 1/2"	N 17'-4 1/2"
P 14'-10 1/4"	P 31'-6 3/4"	P 5'-1 1/4"	P 28'-3 1/2"
Q 13'-11 1/2"	Q 32'-7"	Q 4'-6"	Q 29'-9 1/2"
R 11'-6 3/4"	R 33'-8 3/4"	R 5'-8 3/4"	R 32'-2 1/4"
S 10'-1 1/2"	S 33'-9 3/4"	S 7'-1 3/4"	S 33'-0 1/2"
T 4'-1 1/2"	T 32'-6 1/2"	T 13'-1 3/4"	T 34'-10 1/4"
U 2'-9 1/4"	U 31'-9 1/2"	U 14'-6 3/4"	U 34'-10 1/4"
V 2'-9 1/4"	V 29'-6 3/4"	V 16'-10 3/4"	V 33'-11 1/4"
SL 22'-0"	SL 10'-3 1/4"	SL 27'-11 3/4"	SL 20'-1 1/4"
SR 26'-2 3/4"	SR 17'-7"	SR 22'-2 1/2"	SR 10'-8 1/2"
DL 11'-4 3/4"	DL 21'-5 3/4"	DL 18'-0 1/4"	DL 25'-7 1/2"
DR 15'-9"	DR 24'-0 3/4"	DR 12'-6 1/4"	DR 22'-1 1/4"



NOTICE

SWIMMING POOLS AND ACCESSORIES (INCLUDING DIVING BOARDS) ARE DANGEROUS WHEN IMPROPERLY USED OR INSTALLED. IT IS THE RESPONSIBILITY OF MUNICIPAL OFFICIALS, BUILDERS AND POOL OWNERS TO ADHERE TO ALL SAFETY RECOMMENDATIONS AND STANDARDS ISSUED BY THE POOL & HOT TUB COUNCIL, LOCAL AUTHORITIES AND EQUIPMENT MANUFACTURERS. PLEASE REFER TO DIVING BOARD MANUFACTURERS FOR CORRECT POSITIONING AND INSTALLATION OF DIVING EQUIPMENT.