

MISCELLANEOUS INFORMATION

PERIMETER:-	104'-9 1/2"
SURFACE AREA:	651.7 SQ FT
VOLUME:	18616 IMP GALS 84704 L

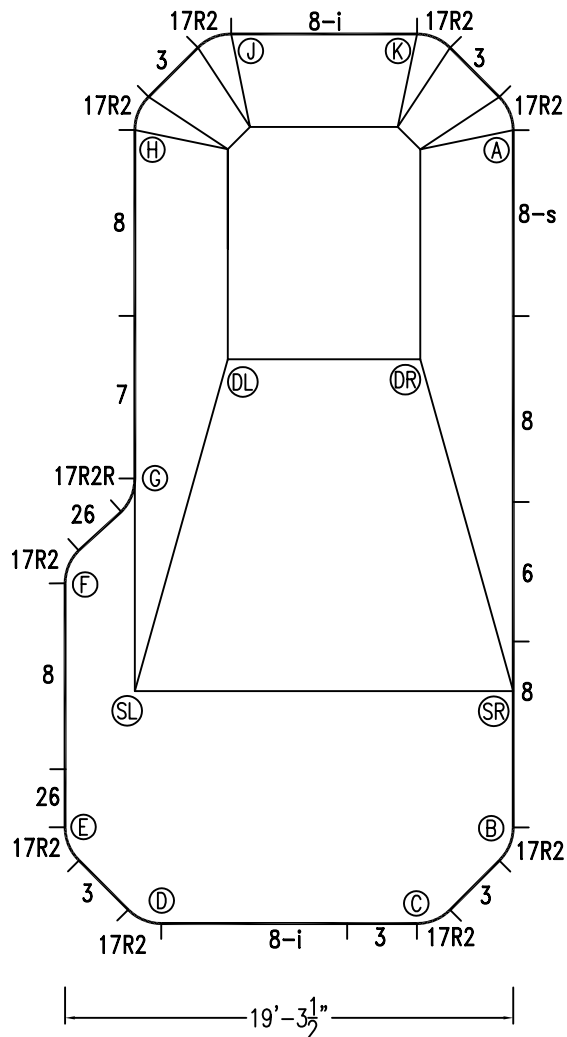
CONCRETE DECK INFO

WIDTH	AREA	NET INCREASES FOR:			
		STEPS	DIVING	SLIDE	ROLLER
2'	223	13	27	24	10
2'6"	282	17	31	20	10
3'	343	20	36	16	10

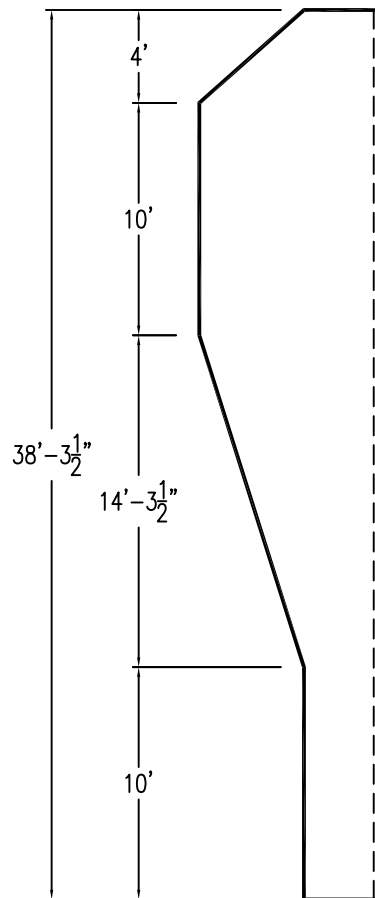
All Figures Represent "Sq Ft"

PARTS LIST

CODE	QTY	DESCRIPTION
8-s	1	8' Skimmer
8-i	2	8' Return
8	4	8' Plain
7	1	7' Plain
6	1	6' Plain
3	5	3' Plain
26	2	2'6" Plain
17R2	9	1'7" Plain x 2' Radius
17R2R	1	1'7" Plain x 2' Reverse Rad
AF	26	A-Frame
S	52	Stake
NB	156	Nuts & Bolts



6" WATER LINE - - -

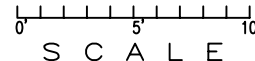


INSTALLATION DATA

From Point "A" to:-		From Point "B" to:-	
B	30'-0 1/8"	B	5'-10 1/4"
C	34'-4 3/4"	C	5'-8 3/8"
D	37'-4 1/4"	D	15'-8 3/8"
E	35'-7 7/8"	E	19'-3 3/8"
F	27'-5 1/8"	F	21'-11 1/2"
G	22'-1 7/8"	G	22'-1 1/2"
H	16'-3 3/8"	H	34'-1 3/4"
J	12'-9 7/8"	J	36'-2 7/8"
K	5'-10 1/4"	K	34'-4 3/4"
SL	29'-1 3/8"	SL	17'-3 5/8"
SR	24'-1 3/4"	SR	5'-10 3/8"
DL	15'-9"	DL	23'-7 1/8"
DR	10'-7 3/4"	DR	20'-6 1/2"

DRAUGHTING NOTE:  
The Panel Coded  
26 as noted, is  
drawn at  
2'5-23/32"

\*ALL DIMENSIONS ARE FINISHED



NOTICE

SWIMMING POOLS AND ACCESSORIES (INCLUDING DIVING BOARDS) ARE DANGEROUS WHEN IMPROPERLY USED OR INSTALLED. IT IS THE RESPONSIBILITY OF MUNICIPAL OFFICIALS, BUILDERS AND POOL OWNERS TO ADHERE TO ALL SAFETY RECOMMENDATIONS AND STANDARDS ISSUED BY THE POOL & HOT TUB COUNCIL, LOCAL AUTHORITIES AND EQUIPMENT MANUFACTURERS. PLEASE REFER TO DIVING BOARD MANUFACTURERS FOR CORRECT POSITIONING AND INSTALLATION OF DIVING EQUIPMENT.

HIGHBURY POOLS LTD

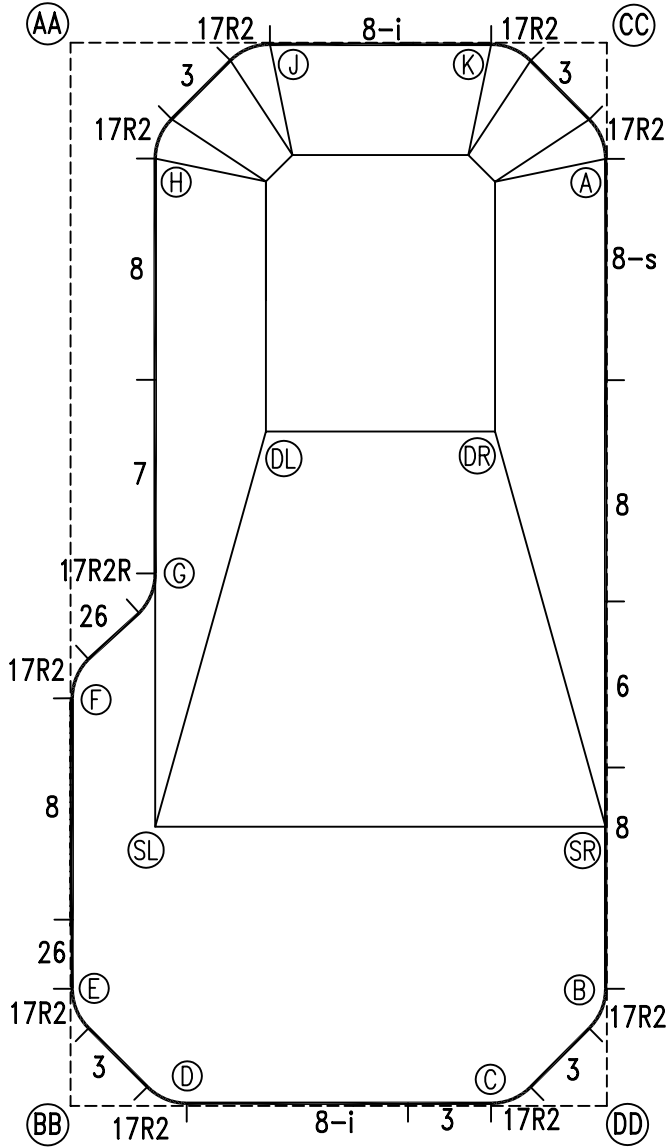
PARADISE-LEFT 17 x 20 x 38

DRAWING REFERENCE #  
57-20-38-1

DRAWN BY: BC  
REV. 15 DEC 2006  
SHEET 1 OF 2

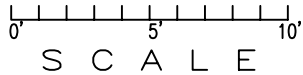
EXTERNAL INSTALLATION DATA

AA TO:	BB TO:	CC TO:	DD TO:
AA ---	AA 38'-5 1/8"	AA 19'-4 5/8"	AA 43'-0 1/2"
BB ---	BB ---	BB 43'-0 1/2"	BB 19'-4 5/8"
CC ---	CC ---	CC ---	CC 38'-5 1/8"
A 19'-9 1/2"	A 39'-3 7/8"	A 4'-2 3/8"	A 34'-2 7/8"
B 39'-3 3/4"	B 19'-10 1/8"	B 34'-2 3/8"	B 4'-2 3/4"
C 41'-2 7/8"	C 15'-2 1/2"	C 38'-6 3/4"	C 4'-2 1/4"
D 38'-7 7/8"	D 4'-2 3/8"	D 41'-3 7/8"	D 15'-2 1/4"
E 34'-2 3/8"	E 4'-2 7/8"	E 39'-3 3/8"	E 19'-9 3/8"
F 23'-10"	F 14'-7 1/8"	F 30'-8 3/4"	F 24'-3 1/4"
G 19'-5 1/2"	G 19'-5 1/2"	G 25'-2 5/8"	G 25'-2 1/2"
H 5'-2 1/4"	H 34'-4 5/8"	H 16'-10 1/4"	H 37'-11 1/4"
J 7'-2 1/2"	J 39'-0 1/2"	J 12'-2 1/8"	J 40'-3 1/8"
K 15'-2 1/2"	K 41'-3 3/8"	K 4'-2 1/8"	K 38'-7 1/4"
SL 28'-6"	SL 10'-6 5/8"	SL 32'-8 3/8"	SL 19'-2 3/8"
SR 34'-3 3/4"	SR 21'-9 7/8"	SR 28'-4"	SR 10'-1 1/8"
DL 15'-8 3/4"	DL 25'-4 1/2"	DL 18'-8 3/8"	DL 27'-3 3/4"
DR 20'-9 3/4"	DR 28'-9 5/8"	DR 14'-7 1/2"	DR 24'-8 1/2"



NOTICE

SWIMMING POOLS AND ACCESSORIES (INCLUDING DIVING BOARDS) ARE DANGEROUS WHEN IMPROPERLY USED OR INSTALLED. IT IS THE RESPONSIBILITY OF MUNICIPAL OFFICIALS, BUILDERS AND POOL OWNERS TO ADHERE TO ALL SAFETY RECOMMENDATIONS AND STANDARDS ISSUED BY THE POOL & HOT TUB COUNCIL, LOCAL AUTHORITIES AND EQUIPMENT MANUFACTURERS. PLEASE REFER TO DIVING BOARD MANUFACTURERS FOR CORRECT POSITIONING AND INSTALLATION OF DIVING EQUIPMENT.



HIGHBURY POOLS LTD

PARADISE-LEFT 17 x 20 x 38

DRAWING REFERENCE #  
57-20-38-1

DRAWN BY: BC  
REV. 15 DEC 2006  
SHEET 2 OF 2