

MISCELLANEOUS INFORMATION

PERIMETER:	60'
SURFACE AREA:	191 SQ FT
VOLUME:	4810 IMP GALS 21886 LITER

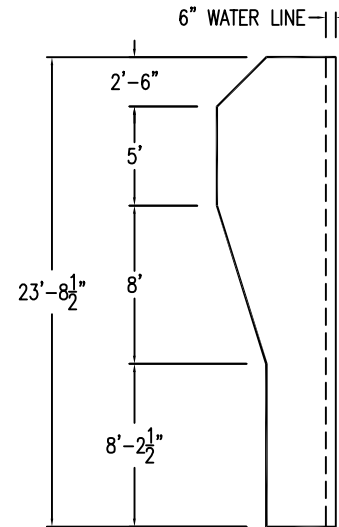
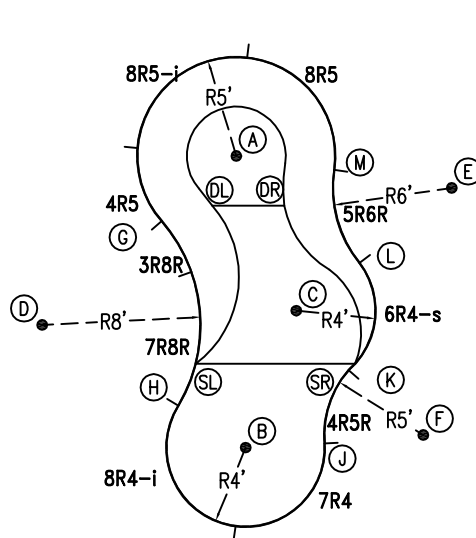
CONCRETE DECK INFO

WIDTH	AREA	NET INCREASES FOR:			
		STEPS	DIVING	SLIDE	ROLLER
2'	133	13	27	24	10
2'6"	170	17	31	20	10
3'	208	20	36	16	10

All Figures Represent "Sq Ft"

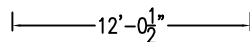
PARTS LIST

CODE	QTY	DESCRIPTION
8R5	1	8' Plain x 5' Radius
8R5-i	1	8' Return x 5' Radius
4R5	1	4' Plain x 5' Radius
3R8R	1	3' Plain x 8' Reverse Radius
7R8R	1	7' Plain x 8' Reverse Radius
8R4-i	1	8' Return x 4' Radius
7R4	1	7' Plain x 4' Radius
4R5R	1	4' Plain x 5' Reverse Radius
6R4-s	1	6' Skimmer x 4' Radius
5R6R	1	5' Plain x 6' Reverse Radius
AF	10	A-Frame
S	20	Stakes
NB	60	Nuts & Bolts

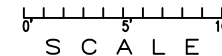


INSTALLATION DATA

From Point "A" to:-		From Point "B" to:-	
B	14'-8 3/4"	B	7'-4 1/2"
C	8'-4 1/2"	C	7'-0"
D	13'-0"	D	12'-0"
E	11'-0"	E	16'-8 3/4"
F	16'-11 1/2"	F	9'-0"
G	5'-0"	G	12'-2 1/2"
H	12'-11 1/4"	H	4'-0"
J	15'-2 1/4"	J	4'-0"
K	12'-2 1/2"	K	6'-6"
L	8'-2 3/4"	L	10'-11 1/2"
M	5'-0"	M	14'-8 3/4"
SL	10'-8 1/4"	SL	4'-11"
SR	12'-1"	SR	6'-11 1/2"
DL	2'-9 1/4"	DL	12'-4"
DR	3'-5 3/4"	DR	12'-4 1/2"

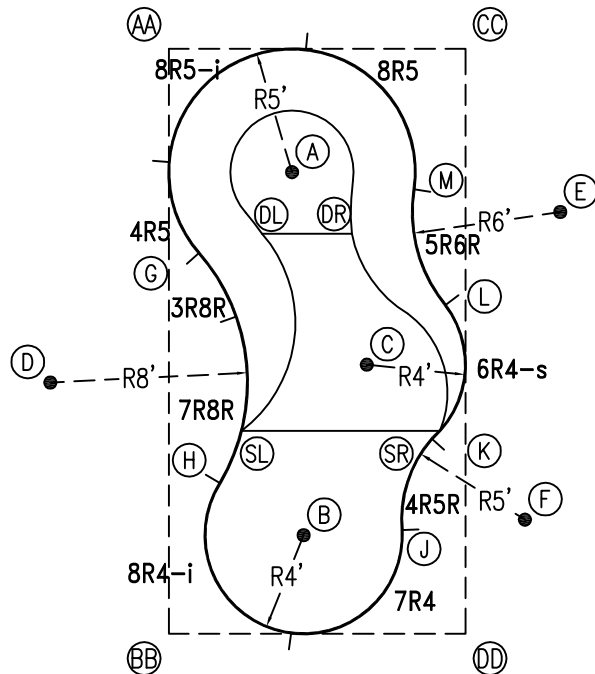


*ALL DIMENSIONS ARE FINISHED



NOTICE

SWIMMING POOLS AND ACCESSORIES (INCLUDING DIVING BOARDS) ARE DANGEROUS WHEN IMPROPERLY USED OR INSTALLED. IT IS THE RESPONSIBILITY OF MUNICIPAL OFFICIALS, BUILDERS AND POOL OWNERS TO ADHERE TO ALL SAFETY RECOMMENDATIONS AND STANDARDS ISSUED BY THE POOL & HOT TUB COUNCIL, LOCAL AUTHORITIES AND EQUIPMENT MANUFACTURERS. PLEASE REFER TO DIVING BOARD MANUFACTURERS FOR CORRECT POSITIONING AND INSTALLATION OF DIVING EQUIPMENT.



EXTERNAL INSTALLATION DATA

AA TO:	BB TO:	CC TO:	DD TO:
AA --	AA 23'-8 3/4"	AA 12'-0 1/4"	AA 26'-7 1/4"
BB --	BB --	BB 26'-7 1/4"	BB 12'-0 1/4"
CC --	CC --	CC --	CC 23'-8 3/4"
A 7'-0 3/4"	A 19'-4 1/2"	A 8'-7 1/2"	A 20'-0"
B 20'-5 1/2"	B 6'-9 1/4"	B 20'-9 1/2"	B 7'-8 1/4"
C 15'-1 1/2"	C 13'-6 1/2"	C 13'-5"	C 11'-7 1/2"
D 14'-4 1/4"	D 11'-3 1/4"	D 21'-7 1/4"	D 19'-8 1/4"
E 17'-2 1/2"	E 23'-4"	E 7'-7 3/4"	E 17'-6 1/2"
F 23'-11 1/4"	F 15'-2"	F 19'-2 3/4"	F 5'-2 1/2"
G 8'-4 1/2"	G 15'-5 3/4"	G 13'-7 1/4"	G 18'-10 1/4"
H 17'-8 3/4"	H 6'-5 1/2"	H 20'-2 3/4"	H 11'-8 1/4"
J 21'-8 1/4"	J 10'-4 1/4"	J 19'-8 1/4"	J 4'-11"
K 19'-0 3/4"	K 13'-3 1/4"	K 15'-10 1/2"	K 8'-0 1/4"
L 15'-3 1/2"	L 17'-5"	L 10'-5"	L 13'-4 1/4"
M 11'-5 1/2"	M 20'-7"	M 6'-0 3/4"	M 18'-1 3/4"
SL 15'-9 1/4"	SL 8'-8 3/4"	SL 17'-11 1/2"	SL 12'-3"
SR 19'-0"	SR 13'-8 3/4"	SR 15'-6 1/4"	SR 8'-3 1/2"
DL 8'-4 3/4"	DL 16'-7 3/4"	DL 11'-1 3/4"	DL 18'-2 1/2"
DR 10'-6 1/2"	DR 17'-10"	DR 8'-9 1/2"	DR 16'-10 1/4"

DIAGONALS

From Point "G" to:-	From Point "H" to:-
H 9'-4 3/8"	H
J 13'-11 1/4"	J 7'-7 5/8"
K 12'-0 7/8"	K 8'-9 3/8"
L 10'-2 1/2"	L 11'-7 3/4"
M 9'-1 1/8"	M 14'-3 3/8"

NOTICE

SWIMMING POOLS AND ACCESSORIES (INCLUDING DIVING BOARDS) ARE DANGEROUS WHEN IMPROPERLY USED OR INSTALLED. IT IS THE RESPONSIBILITY OF MUNICIPAL OFFICIALS, BUILDERS AND POOL OWNERS TO ADHERE TO ALL SAFETY RECOMMENDATIONS AND STANDARDS ISSUED BY THE POOL & HOT TUB COUNCIL, LOCAL AUTHORITIES AND EQUIPMENT MANUFACTURERS. PLEASE REFER TO DIVING BOARD MANUFACTURERS FOR CORRECT POSITIONING AND INSTALLATION OF DIVING EQUIPMENT.

