

### MISCELLANEOUS INFORMATION

PERIMETER:-	79'6"
SURFACE AREA:	387.9 SQ FT
VOLUME:	11751 IMP GALS 53469 L

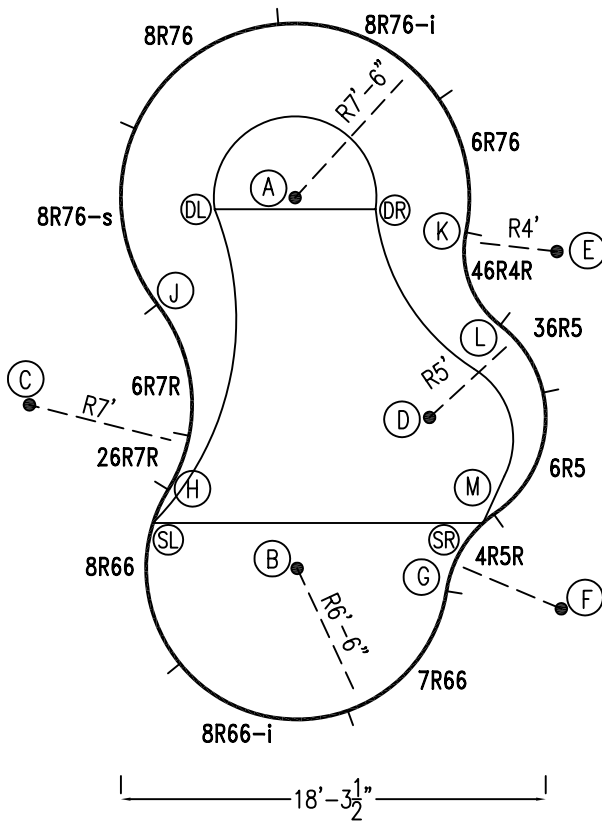
### CONCRETE DECK INFO

WIDTH	AREA	NET INCREASES FOR:			
		STEPS	DIVING	SLIDE	ROLLER
2'	172	13	27	24	10
2'6"	219	17	31	20	10
3'	268	20	36	16	10

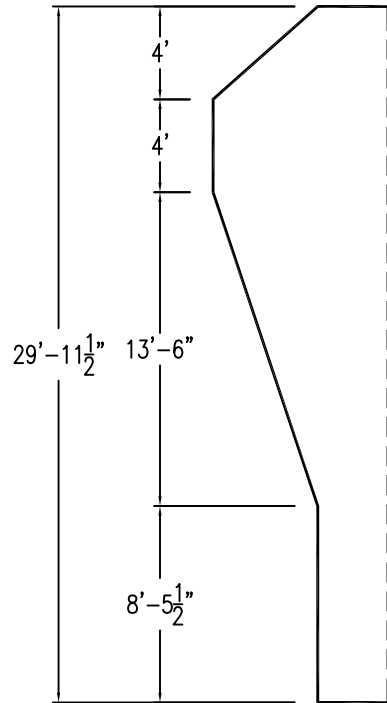
All Figures Represent "Sq Ft"

### PARTS LIST

CODE	QTY	DESCRIPTION
8R76-s	1	8' Skimmer x 7'6" Radius
8R76-i	1	8' Return x 7'6" Radius
8R76	1	8' Plain x 7'6" Radius
6R76	1	6' Plain x 7'6" Radius
6R7R	1	6' Plain x 7' Reverse Rad
26R7R	1	2'6" Plain x 7' Reverse Rad
8R66-i	1	8' Return x 6'6" Radius
8R66	1	8' Plain x 6'6" Radius
7R66	1	7' Plain x 6'6" Radius
6R5	1	3' Plain x 5' Rad
36R5	1	3'6" Plain x 5' Rad
4R5R	1	4' Plain x 5' Reverse Rad
46R4R	1	4'6" Plain x 4' Reverse Rad
AF	13	A-Frame
S	26	Stake
NB	78	Nuts & Bolts



6" WATER LINE - I I -



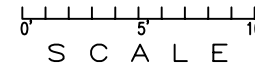
\*ALL DIMENSIONS ARE FINISHED

### INSTALLATION DATA

From Point "A" to:-		From Point "B" to:-	
B	15'-11 1/2"	B	13'-6"
C	14'-5 7/8"	C	13'-6"
D	11'-1"	D	8'-7 3/4"
E	11'-6"	E	17'-7 5/8"
F	21'-0 7/8"	F	11'-6"
G	18'-1 3/4"	G	6'-5 7/8"
H	13'-8 3/8"	H	6'-6"
J	7'-6"	J	12'-10 1/4"
K	7'-6"	K	16'-2 1/4"
L	10'-4 3/4"	L	13'-7 5/8"
M	16'-0 7/8"	M	8'-9 3/8"
SR	16'-1 7/8"	SR	8'-2 3/4"
SL	15'-3 3/8"	SL	6'-5 7/8"
DR	3'-6"	DR	15'-9 7/8"
DL	3'-5 7/8"	DL	15'-10 1/4"

### NOTICE

SWIMMING POOLS AND ACCESSORIES (INCLUDING DIVING BOARDS) ARE DANGEROUS WHEN IMPROPERLY USED OR INSTALLED. IT IS THE RESPONSIBILITY OF MUNICIPAL OFFICIALS, BUILDERS AND POOL OWNERS TO ADHERE TO ALL SAFETY RECOMMENDATIONS AND STANDARDS ISSUED BY THE POOL & HOT TUB COUNCIL, LOCAL AUTHORITIES AND EQUIPMENT MANUFACTURERS. PLEASE REFER TO DIVING BOARD MANUFACTURERS FOR CORRECT POSITIONING AND INSTALLATION OF DIVING EQUIPMENT.



HIGHBURY POOLS LTD

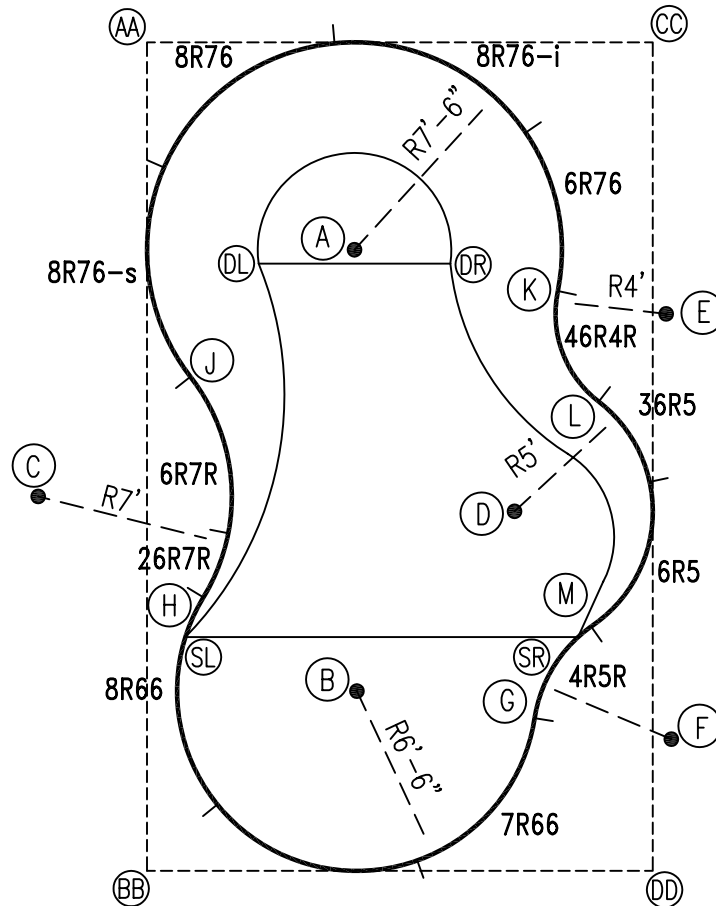
RAINBOW - LEFT 15 x 18 x 30

DRAWING REFERENCE #  
62-15-30-1

DRAWN BY: BC  
REV. 06 FEB 2007  
SHEET 1 OF 2

EXTERNAL INSTALLATION DATA

AA TO:	BB TO:	CC TO:	DD TO:
AA ---	AA 29'-11 1/2"	AA 18'-3 3/8"	AA 35'-1 1/8"
BB ---	BB ---	BB 35'-1 1/8"	BB 18'-3 3/8"
CC ---	CC ---	CC ---	CC 29'-11 1/2"
A 10'-7 1/4"	A 23'-8 1/8"	A 13'-1 5/8"	A 24'-10 7/8"
B 24'-7 3/4"	B 9'-11 7/8"	B 25'-9 3/8"	B 12'-6 1/4"
C 16'-10 5/8"	C 14'-1 1/8"	C 27'-7 1/2"	C 26'-0 1/4"
D 21'-6 1/2"	D 18'-7"	D 17'-8 1/8"	D 13'-11 1/8"
E 21'-2 1/8"	E 27'-6 1/4"	E 9'-9 7/8"	E 20'-1 3/4"
F 31'-6 3/8"	F 19'-6 1/2"	F 25'-2 3/8"	F 4'-9 3/4"
G 28'-2"	G 15'-0 3/4"	G 24'-9 5/8"	G 6'-11 3/4"
H 20'-2"	H 10'-1 1/8"	H 25'-9 3/4"	H 19'-0 1/4"
J 12'-2 1/4"	J 17'-11 1/4"	J 20'-7 1/2"	J 24'-5 5/8"
K 17'-4 3/8"	K 25'-8 3/8"	K 9'-7 1/2"	K 21'-2 7/8"
L 20'-10 3/8"	L 23'-6 1/2"	L 13'-1 5/8"	L 17'-0 7/8"
M 26'-6 3/8"	M 18'-3 7/8"	M 21'-2 7/8"	M 9'-1 3/8"
SR 26'-6 5/8"	SR 17'-8 3/4"	SR 21'-8"	SR 8'-10 1/2"
SL 21'-6 1/2"	SL 8'-6 3/4"	SL 27'-4 1/8"	SL 18'-10 3/4"
DR 13'-6 7/8"	DR 24'-6 1/2"	DR 10'-10 1/8"	DR 23'-1 3/4"
DL 8'-11 1/2"	DL 22'-3 7/8"	DL 16'-4 1/8"	DL 26'-2 1/8"



DIAGONALS

From Point "J" to:-	From Point "H" to:-
G 17'-6 3/8"	G 12'-8 7/8"
M 17'-0 3/4"	M 14'-0 5/8"
L 14'-9 1/2"	L 15'-11 3/8"
K 13'-7 5/8"	K 16'-11 1/4"

NOTICE

SWIMMING POOLS AND ACCESSORIES (INCLUDING DIVING BOARDS) ARE DANGEROUS WHEN IMPROPERLY USED OR INSTALLED. IT IS THE RESPONSIBILITY OF MUNICIPAL OFFICIALS, BUILDERS AND POOL OWNERS TO ADHERE TO ALL SAFETY RECOMMENDATIONS AND STANDARDS ISSUED BY THE POOL & HOT TUB COUNCIL, LOCAL AUTHORITIES AND EQUIPMENT MANUFACTURERS. PLEASE REFER TO DIVING BOARD MANUFACTURERS FOR CORRECT POSITIONING AND INSTALLATION OF DIVING EQUIPMENT.

HIGHBURY POOLS LTD

RAINBOW - LEFT 15x18x30

DRAWING REFERENCE #  
62-15-30-1

DRAWN BY: BC  
REV. 06 FEB 2007  
SHEET 2 OF 2