

MISCELLANEOUS INFORMATION

PERIMETER:-	89'
SURFACE AREA:	454.7 SQ FT
VOLUME:	14083 IMP GALS 64076 L

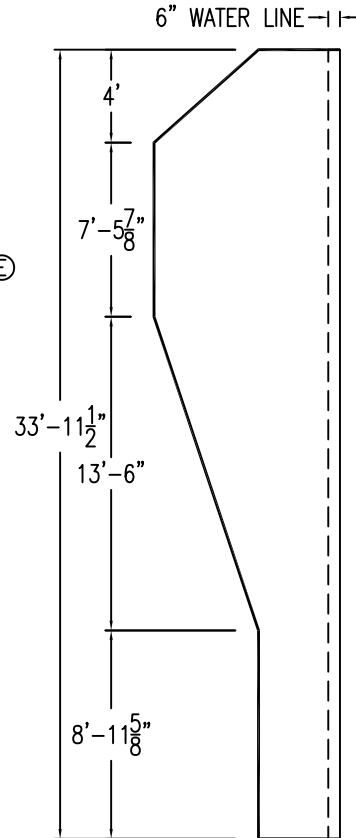
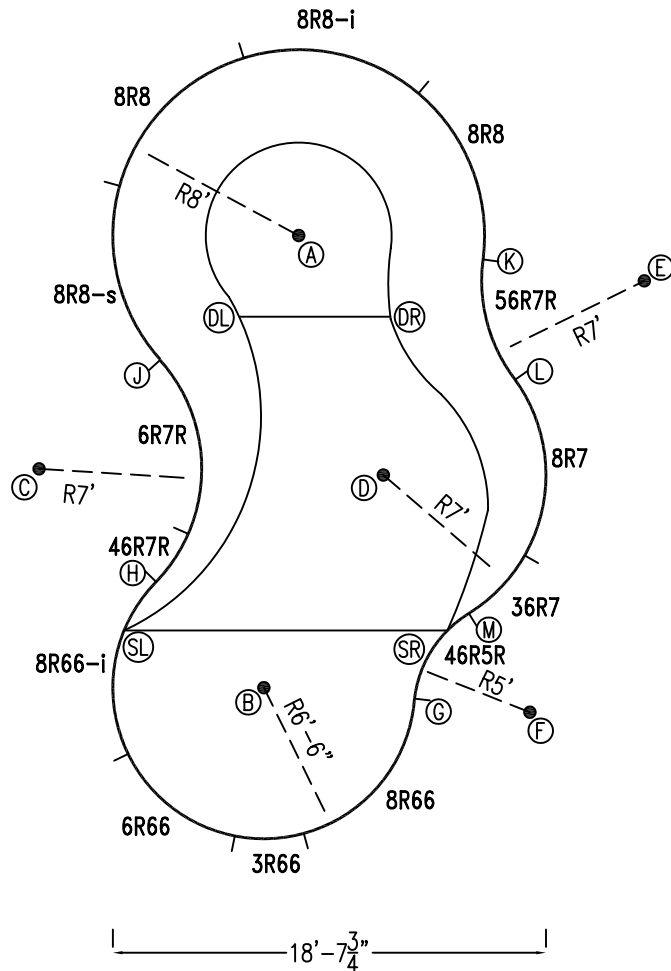
CONCRETE DECK INFO

WIDTH	AREA	NET INCREASES FOR:			
		STEPS	DIVING	SLIDE	ROLLER
2'	191	13	27	24	10
2'6"	242	17	31	20	10
3'	295	20	36	16	10

All Figures Represent "Sq Ft"

PARTS LIST

CODE	QTY	DESCRIPTION
8R8-s	1	8' Skimmer x 8' Radius
8R8-i	1	8' Return x 8' Radius
8R66-i	1	8' Return x 6'6" Radius
8R8	2	8' Plain x 8' Radius
8R7	1	8' Plain x 7' Radius
36R7	1	3'6" Plain x 7' Radius
8R66	1	8' Plain x 6'6" Radius
6R66	1	6' Plain x 6'6" Radius
3R66	1	3' Plain x 6'6" Radius
6R7R	1	6' Plain x 7' Reverse Radius
46R7R	1	4'6" Plain x 7' Reverse Radius
56R7R	1	5'6" Plain x 7' Reverse Radius
46R5R	1	4'6" Plain x 5' Reverse Radius
AF	14	A-Frame
S	28	Stake
NB	84	Nuts & Bolts



*ALL DIMENSIONS ARE FINISHED



INSTALLATION DATA

From Point "A" to:-		From Point "B" to:-	
B	19'-6 1/4"	B	13'-5 7/8"
C	15'-0 1/4"	C	10'-5 7/8"
D	10'-11 1/8"	D	10'-5 7/8"
E	15'-0"	E	23'-11 5/8"
F	22'-9 5/8"	F	11'-5 7/8"
G	20'-6 1/2"	G	6'-5 7/8"
H	16'-1 3/8"	H	6'-6"
J	8'-0"	J	14'-9 1/2"
K	8'-0"	K	20'-8 1/2"
L	11'-2 3/8"	L	17'-1 1/4"
M	17'-9 7/8"	M	9'-4 5/8"
SL	18'-6 7/8"	SL	6'-5 7/8"
SR	18'-1 7/8"	SR	8'-3 1/4"
DL	4'-3 7/8"	DL	16'-0"
DR	5'-3 1/4"	DR	16'-10 3/8"

NOTICE

SWIMMING POOLS AND ACCESSORIES (INCLUDING DIVING BOARDS) ARE DANGEROUS WHEN IMPROPERLY USED OR INSTALLED. IT IS THE RESPONSIBILITY OF MUNICIPAL OFFICIALS, BUILDERS AND POOL OWNERS TO ADHERE TO ALL SAFETY RECOMMENDATIONS AND STANDARDS ISSUED BY THE POOL & HOT TUB COUNCIL, LOCAL AUTHORITIES AND EQUIPMENT MANUFACTURERS. PLEASE REFER TO DIVING BOARD MANUFACTURERS FOR CORRECT POSITIONING AND INSTALLATION OF DIVING EQUIPMENT.

HIGHBURY POOLS LTD

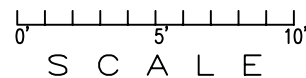
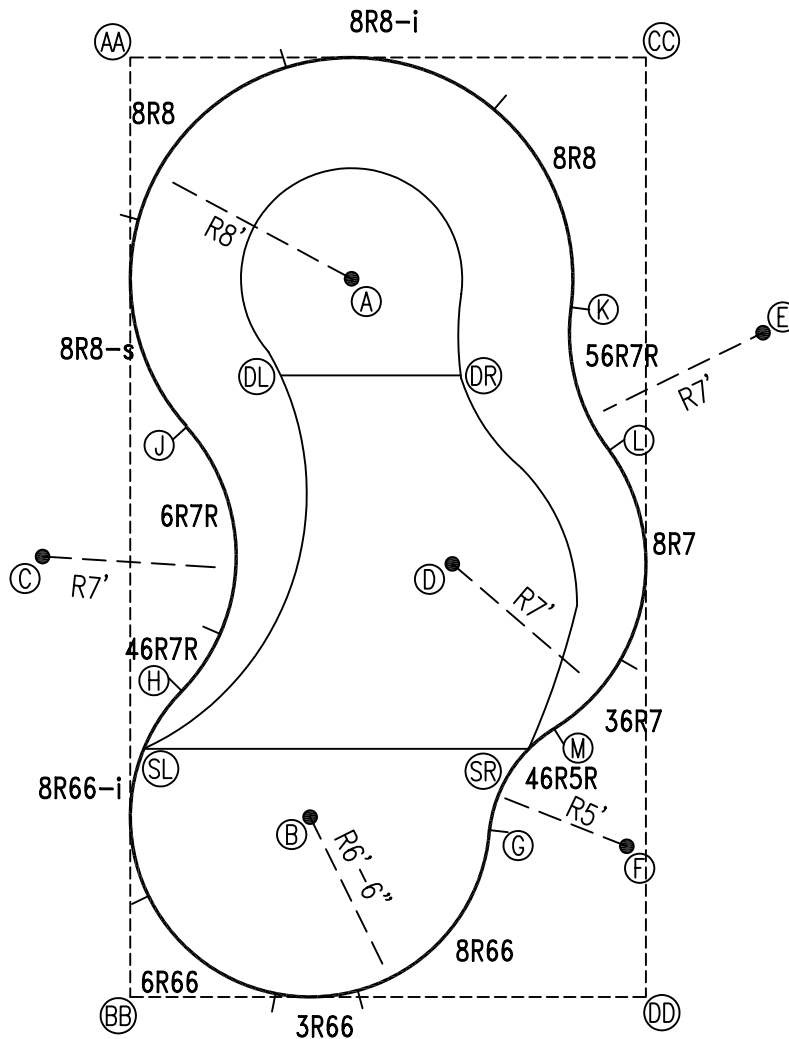
RAINBOW - LEFT 16 x 19 x 34

DRAWING REFERENCE #
62-16-34-1

DRAWN BY: BC
REV. 13 FEB 2007
SHEET 1 OF 2

EXTERNAL INSTALLATION DATA

AA TO:		BB TO:		CC TO:		DD TO:	
AA	--	AA	33'-11 1/2"	AA	18'-7 3/4"	AA	38'-8 7/8"
BB	--	BB	--	BB	38'-8 7/8"	BB	18'-7 3/4"
CC	--	CC	--	CC	--	CC	33'-11 1/2"
A	11'-3 3/4"	A	27'-1 7/8"	A	13'-3 3/4"	A	28'-0 5/8"
B	28'-2 5/8"	B	9'-2 1/4"	B	30'-0 1/4"	B	13'-9 1/4"
C	18'-3 3/4"	C	16'-2 3/4"	C	28'-3 5/8"	C	27'-0"
D	21'-8 3/8"	D	19'-6 1/8"	D	19'-7 1/8"	D	17'-1 3/4"
E	24'-11 3/8"	E	33'-1 7/8"	E	10'-9 3/4"	E	24'-4 1/2"
F	33'-8 3/8"	F	18'-9 1/8"	F	28'-6 1/4"	F	5'-5 7/8"
G	30'-9 5/8"	G	14'-3 3/4"	G	28'-5 7/8"	G	8'-3 1/4"
H	22'-11 3/4"	H	11'-2 1/2"	H	28'-4 5/8"	H	20'-1 1/8"
J	13'-5 7/8"	J	20'-8 3/4"	J	21'-3 1/2"	J	26'-5 3/4"
K	18'-3 3/4"	K	29'-7"	K	9'-5 1/8"	K	25'-0 7/8"
L	22'-4 3/4"	L	26'-3 1/4"	L	14'-3 1/4"	L	19'-9 5/8"
M	28'-8 3/8"	M	18'-1 5/8"	M	24'-5 7/8"	M	10'-3"
SL	25'-0"	SL	8'-11 3/4"	SL	30'-10 3/4"	SL	20'-2 7/8"
SR	28'-10 1/8"	SR	16'-11 1/2"	SR	25'-4 1/4"	SR	9'-11"
DL	12'-8 5/8"	DL	23'-1 3/8"	DL	17'-6"	DL	26'-0 3/4"
DR	16'-6 7/8"	DR	25'-5 3/8"	DR	13'-3 5/8"	DR	23'-5 1/4"



DIAGONALS

From Point "J" to:-		From Point "H" to:-	
G	18'-2 5/8"	G	12'-2 3/8"
M	17'-2 1/4"	H	13'-6 1/4"
L	15'-3 5/8"	J	17'-8 3/4"
K	14'-6 3/4"	K	19'-9 1/8"

NOTICE

SWIMMING POOLS AND ACCESSORIES (INCLUDING DIVING BOARDS) ARE DANGEROUS WHEN IMPROPERLY USED OR INSTALLED. IT IS THE RESPONSIBILITY OF MUNICIPAL OFFICIALS, BUILDERS AND POOL OWNERS TO ADHERE TO ALL SAFETY RECOMMENDATIONS AND STANDARDS ISSUED BY THE POOL & HOT TUB COUNCIL, LOCAL AUTHORITIES AND EQUIPMENT MANUFACTURERS. PLEASE REFER TO DIVING BOARD MANUFACTURERS FOR CORRECT POSITIONING AND INSTALLATION OF DIVING EQUIPMENT.

HIGHBURY POOLS LTD

RAINBOW - LEFT 16x19x34

DRAWING REFERENCE #
62-16-34-1

DRAWN BY: BC
REV. 13 FEB 2007
SHEET 2 OF 2