

MISCELLANEOUS INFORMATION

PERIMETER:	89'
SURFACE AREA:	455 SQ FT
VOLUME:	13859 IMP GALS 63058 LITER

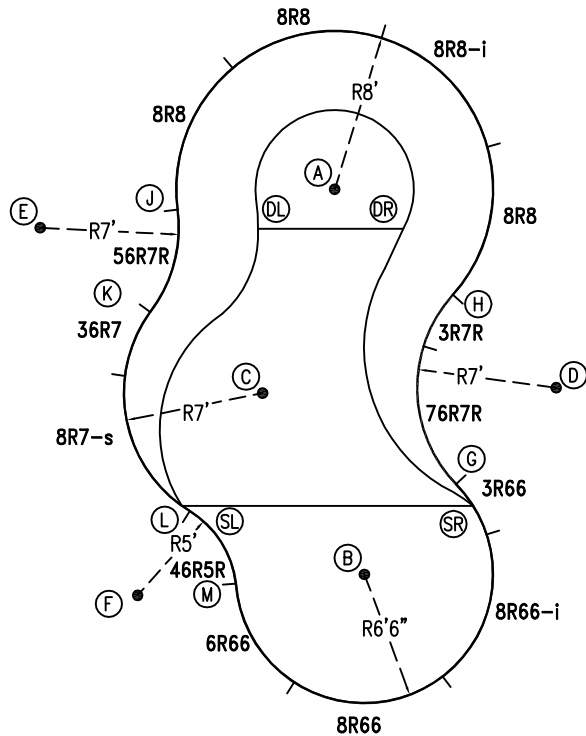
CONCRETE DECK INFO

WIDTH	AREA	NET INCREASES FOR:			
		STEPS	DIVING	SLIDE	ROLLER
2'	190	13	27	24	10
2'6"	242	17	31	20	10
3'	295	20	36	16	10

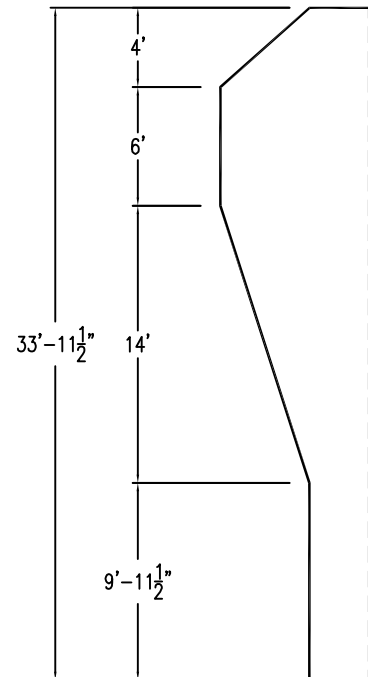
All Figures Represent "Sq Ft"

PARTS LIST

CODE	QTY	DESCRIPTION
8R8	3	8' Plain x 8' Radius
8R8-i	1	8' Return x 8' Radius
3R7R	1	3' Plain x 7' Reverse Radius
76R7R	1	7'6" Plain x 7' Reverse Radius
3R66	1	3' Plain x 6'6" Radius
8R66-i	1	8' Return x 6'6" Radius
8R66	1	8' Plain x 6'6" Radius
6R66	1	6' Plain x 6'6" Radius
46R5R	1	4'6" Plain x 5' Reverse Radius
8R7-s	1	8' Skimmer x 7' Radius
36R7	1	3'6" Plain x 7' Radius
56R7R	1	5'6" Plain x 7' Reverse Radius
AF	14	A-Frame
S	28	Stakes
NB	84	Nuts & Bolts



6" WATER LINE

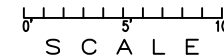


INSTALLATION DATA

From Point "A" to:-		From Point "B" to:-	
B	19'-6"	B	10'-5 3/4"
C	10'-11"	C	13'-6 1/4"
D	15'-0 1/4"	D	23'-11 1/2"
E	15'-0"	E	11'-5 3/4"
F	22'-9 1/2"	F	6'-6"
G	16'-1 1/4"	G	14'-9 3/4"
H	8'-0"	H	20'-8 1/2"
J	8'-0"	J	17'-1 1/4"
K	11'-2 1/4"	K	9'-4 1/2"
L	17'-9 3/4"	L	6'-5 3/4"
M	20'-6 1/2"	M	9'-10"
SL	17'-9"	SL	6'-6"
SR	17'-5 1/2"	SR	18'-3 1/4"
DL	4'-4 1/4"	DL	17'-6 3/4"
DR	3'-11 3/4"	DR	

18'-8"

*ALL DIMENSIONS ARE FINISHED



NOTICE

SWIMMING POOLS AND ACCESSORIES (INCLUDING DIVING BOARDS) ARE DANGEROUS WHEN IMPROPERLY USED OR INSTALLED. IT IS THE RESPONSIBILITY OF MUNICIPAL OFFICIALS, BUILDERS AND POOL OWNERS TO ADHERE TO ALL SAFETY RECOMMENDATIONS AND STANDARDS ISSUED BY THE POOL & HOT TUB COUNCIL, LOCAL AUTHORITIES AND EQUIPMENT MANUFACTURERS. PLEASE REFER TO DIVING BOARD MANUFACTURERS FOR CORRECT POSITIONING AND INSTALLATION OF DIVING EQUIPMENT.

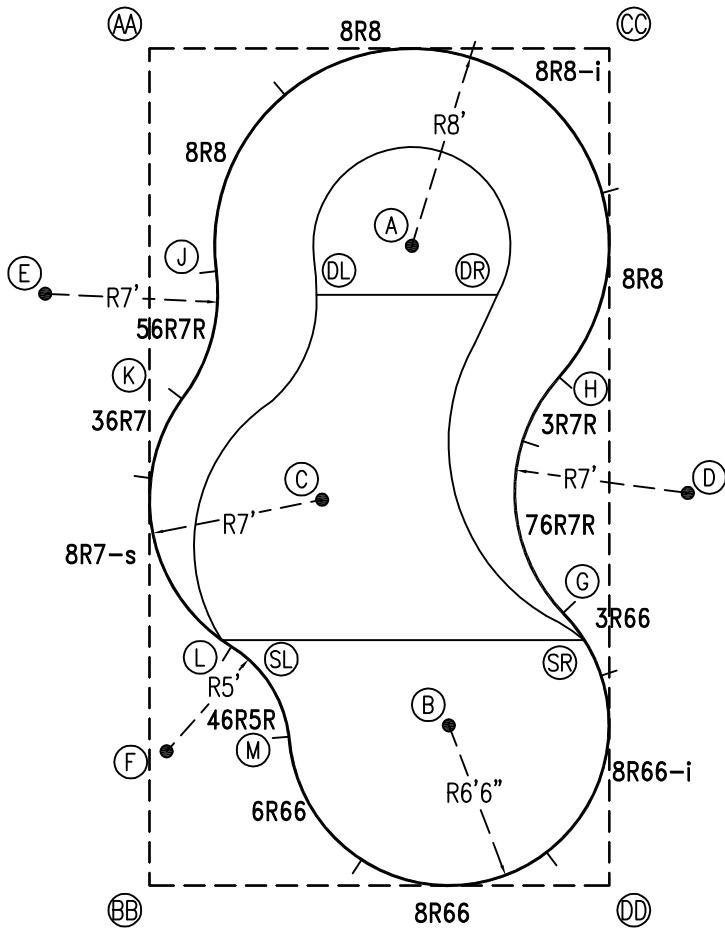
HIGHBURY POOLS LTD

RAINBOW - RIGHT 16 x 19 x 34

DRAWING REFERENCE #
62-16-34-2

DRAWN BY: JK
REV. 31 JUL 13
SHEET 1 OF 2

PERIMETER: 89'



EXTERNAL INSTALLATION DATA

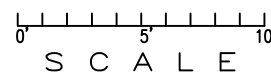
AA TO:	BB TO:	CC TO:	DD TO:
AA ---	AA 33'-11 1/2"	AA 18'-7 3/4"	AA 38'-8 3/4"
BB ---	BB ---	BB 38'-8 3/4"	BB 18'-7 3/4"
CC ---	CC ---	CC ---	CC 33'-11 1/2"
A 13'-3 3/4"	A 28'-0 1/2"	A 11'-3 3/4"	A 27'-1 3/4"
B 30'-0 1/4"	B 13'-9 1/4"	B 28'-2 1/2"	B 9'-2 1/4"
C 19'-7"	C 17'-1 3/4"	C 21'-8 1/4"	C 19'-6"
D 28'-3 3/4"	D 27'-0 1/4"	D 18'-3 3/4"	D 16'-2 3/4"
E 10'-9 3/4"	E 24'-4 1/2"	E 24'-11 1/4"	E 33'-1 3/4"
F 28'-6 1/4"	F 5'-5 3/4"	F 33'-8 1/4"	F 18'-9"
G 28'-4 1/2"	G 20'-1"	G 22'-11 3/4"	G 11'-2 1/2"
H 21'-3 1/2"	H 26'-5 3/4"	H 13'-5 3/4"	H 20'-8 3/4"
J 9'-5"	J 25'-0 3/4"	J 18'-3 3/4"	J 29'-7"
K 14'-3 1/4"	K 19'-9 1/2"	K 22'-4 3/4"	K 26'-3 1/4"
L 24'-5 3/4"	L 10'-3"	L 28'-8 1/4"	L 18'-1 1/2"
M 28'-5 3/4"	M 8'-3 1/4"	M 30'-9 1/2"	M 14'-3 3/4"
SL 24'-2"	SL 10'-4 1/2"	SL 28'-8 1/4"	SL 18'-7 1/4"
SR 29'-9 1/2"	SR 20'-3"	SR 24'-0 1/4"	SR 10'-0"
DL 12'-0 3/4"	DL 24'-10 3/4"	DL 15'-6 1/4"	DL 26'-8 3/4"
DR 17'-3 1/2"	DR 27'-9 1/2"	DR 10'-11 3/4"	DR 24'-4 1/2"

DIAGONALS

From Point "G" to:-	From Point "H" to:-
H 9'-6 7/8"	H
J 19'-9 1/8"	J 14'-6 3/4"
K 17'-8 3/4"	K 15'-3 3/4"
L 13'-6 1/4"	L 17'-2 1/2"
M 12'-2 3/8"	M 18'-3"

NOTICE

SWIMMING POOLS AND ACCESSORIES (INCLUDING DIVING BOARDS) ARE DANGEROUS WHEN IMPROPERLY USED OR INSTALLED. IT IS THE RESPONSIBILITY OF MUNICIPAL OFFICIALS, BUILDERS AND POOL OWNERS TO ADHERE TO ALL SAFETY RECOMMENDATIONS AND STANDARDS ISSUED BY THE POOL & HOT TUB COUNCIL, LOCAL AUTHORITIES AND EQUIPMENT MANUFACTURERS. PLEASE REFER TO DIVING BOARD MANUFACTURERS FOR CORRECT POSITIONING AND INSTALLATION OF DIVING EQUIPMENT.



HIGHBURY POOLS LTD

RAINBOW - RIGHT 16 x 19 x 34

DRAWING REFERENCE #
62-16-34-2

DRAWN BY: JK
REV. 31 JUL 13
SHEET 2 OF 2