

MISCELLANEOUS INFORMATION

PERIMETER:-	92'6"
SURFACE AREA:	521.7 SQ FT
VOLUME:	16002 IMP GALS 72805 L

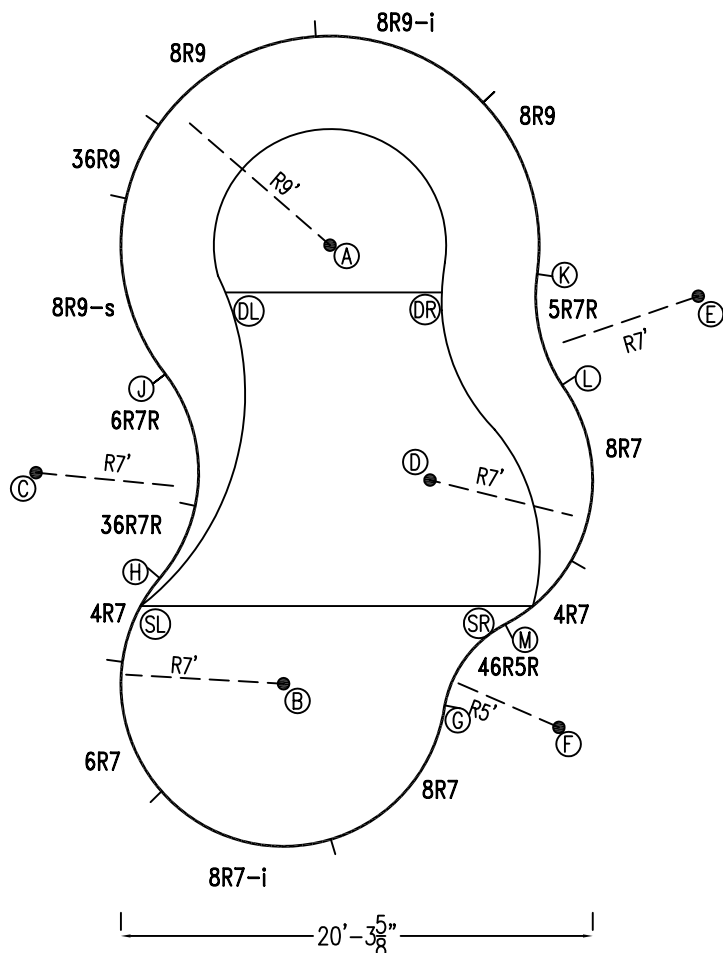
CONCRETE DECK INFO

WIDTH	AREA	NET INCREASES FOR:			
		STEPS	DIVING	SLIDE	ROLLER
2'	198	13	27	24	10
2'6"	251	17	31	20	10
3'	306	20	36	16	10

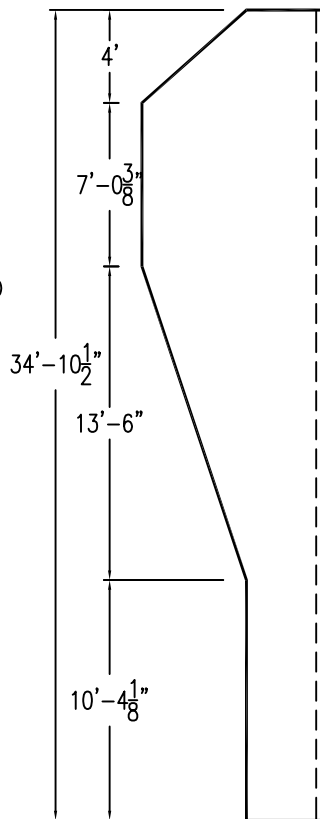
All Figures Represent "Sq Ft"

PARTS LIST

CODE	QTY	DESCRIPTION
8R9-s	1	8' Skimmer x 9' Radius
8R9-i	1	8' Return x 9' Radius
8R7-i	1	8' Return x 7' Radius
8R9	2	8' Plain x 9' Radius
36R9	1	3'6" Plain x 9' Radius
8R7	2	8' Plain x 7' Radius
6R7	1	6' Plain x 7' Radius
4R7	2	4' Plain x 7' Radius
6R7R	1	6' Plain x 7' Reverse Radius
36R7R	1	3'6" Plain x 7' Reverse Radius
5R7R	1	5' Plain x 7' Reverse Radius
46R5R	1	4'6" Plain x 5' Reverse Radius
AF	15	A-Frame
S	30	Stake
NB	90	Nuts & Bolts



6" WATER LINE



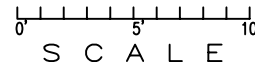
INSTALLATION DATA

From Point "A" to:-		From Point "B" to:-	
B	18'-11 3/4"	B	14'-0"
C	16'-0"	C	14'-0"
D	10'-11 7/8"	D	10'-9 1/2"
E	16'-0"	E	24'-5 1/8"
F	22'-11 5/8"	F	12'-0"
G	20'-4 7/8"	G	7'-0"
H	16'-1 1/8"	H	7'-0"
J	9'-0"	J	14'-3 1/8"
K	9'-0"	K	20'-8 3/4"
L	11'-7 7/8"	L	17'-6 7/8"
M	17'-11 5/8"	M	9'-10 1/2"
SL	17'-6 1/2"	SL	7'-0"
SR	17'-9 3/4"	SR	11'-2 7/8"
DL	4'-11 1/8"	DL	17'-0 1/4"
DR	5'-2 5/8"	DR	18'-1 7/8"

NOTICE

SWIMMING POOLS AND ACCESSORIES (INCLUDING DIVING BOARDS) ARE DANGEROUS WHEN IMPROPERLY USED OR INSTALLED. IT IS THE RESPONSIBILITY OF MUNICIPAL OFFICIALS, BUILDERS AND POOL OWNERS TO ADHERE TO ALL SAFETY RECOMMENDATIONS AND STANDARDS ISSUED BY THE POOL & HOT TUB COUNCIL, LOCAL AUTHORITIES AND EQUIPMENT MANUFACTURERS. PLEASE REFER TO DIVING BOARD MANUFACTURERS FOR CORRECT POSITIONING AND INSTALLATION OF DIVING EQUIPMENT.

*ALL DIMENSIONS ARE FINISHED



EXTERNAL INSTALLATION DATA

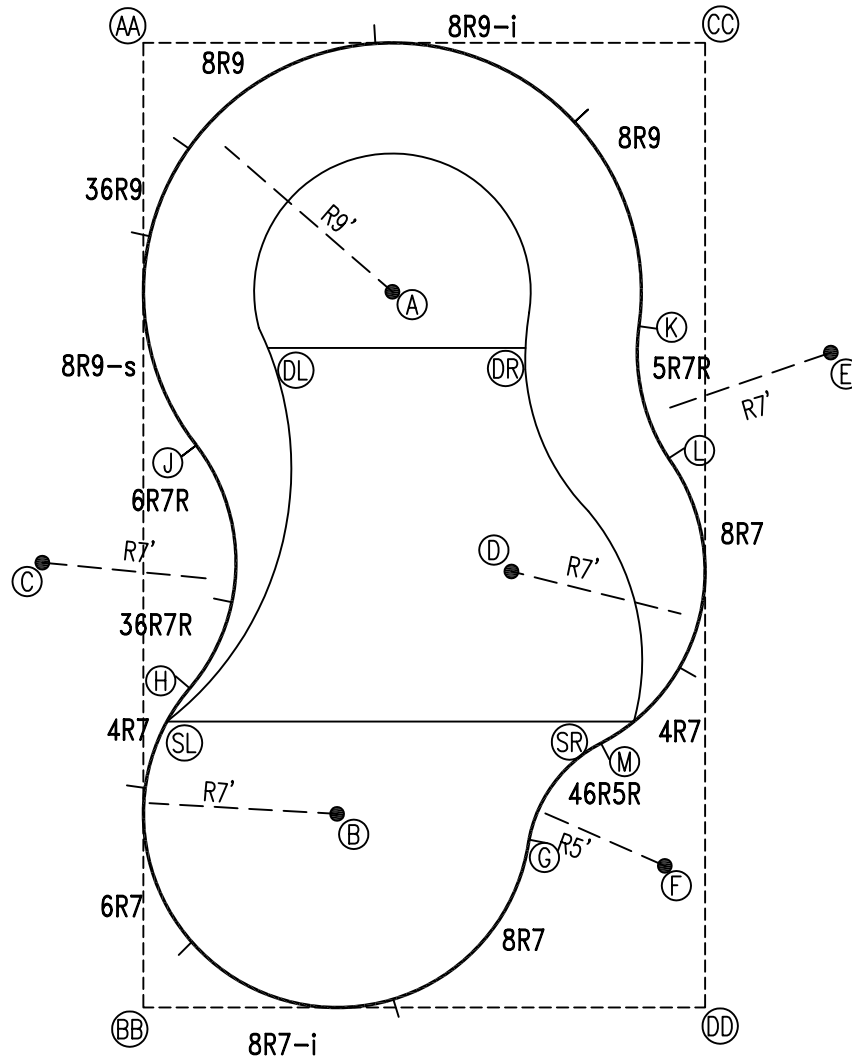
AA TO:	BB TO:	CC TO:	DD TO:
AA ---	AA 34'-10 1/2"	AA 20'-3 5/8"	AA 40'-4 1/4"
BB ---	BB ---	BB 40'-4 1/4"	BB 20'-3 5/8"
CC ---	CC ---	CC ---	CC 34'-10 1/2"
A 12'-8 3/4"	A 27'-4 3/4"	A 14'-5 3/8"	A 28'-2 7/8"
B 28'-8 7/8"	B 9'-10 3/4"	B 30'-10 5/8"	B 15'-0 3/8"
C 19'-1 3/4"	C 16'-5 7/8"	C 30'-5 3/8"	C 28'-10 1/4"
D 23'-3 3/8"	D 20'-7 1/2"	D 20'-4 1/4"	D 17'-2 7/8"
E 27'-3"	E 34'-3 7/8"	E 12'-1"	E 24'-1 3/8"
F 35'-2 5/8"	F 19'-6 3/8"	F 29'-9 1/2"	F 5'-3 7/8"
G 32'-0"	G 15'-2 3/8"	G 29'-5 7/8"	G 8'-9 1/2"
H 23'-4 3/4"	H 11'-7 7/8"	H 29'-10 1/4"	H 21'-10 7/8"
J 14'-8 1/8"	J 20'-4 7/8"	J 23'-5 3/8"	J 27'-4 7/8"
K 20'-7 5/8"	K 30'-5 1/2"	K 10'-6 1/4"	K 24'-8 7/8"
L 24'-2 1/2"	L 27'-5 5/8"	L 15'-0 7/8"	L 19'-10 3/4"
M 30'-2 7/8"	M 19'-1 1/4"	M 25'-7 1/8"	M 10'-3 1/4"
SL 24'-6 5/8"	SL 10'-4 1/2"	SL 31'-3 3/4"	SL 22'-0 3/8"
SR 30'-3 1/4"	SR 20'-6 1/4"	SR 24'-8"	SR 10'-7 7/8"
DL 11'-11"	DL 24'-3 1/8"	DL 19'-3 1/8"	DL 28'-7 1/8"
DR 17'-8 1/8"	DR 27'-6 5/8"	DR 12'-9 5/8"	DR 24'-8 1/2"

DIAGONALS

From Point "J" to:-		From Point "H" to:-	
K	16'-6 7/8"	K	20'-10 1/4"
L	17'-0 7/8"	L	19'-2 3/8"
M	18'-1 7/8"	M	15'-0"
G	18'-7 7/8"	G	13'-5 1/8"

NOTICE

SWIMMING POOLS AND ACCESSORIES (INCLUDING DIVING BOARDS) ARE DANGEROUS WHEN IMPROPERLY USED OR INSTALLED. IT IS THE RESPONSIBILITY OF MUNICIPAL OFFICIALS, BUILDERS AND POOL OWNERS TO ADHERE TO ALL SAFETY RECOMMENDATIONS AND STANDARDS ISSUED BY THE POOL & HOT TUB COUNCIL, LOCAL AUTHORITIES AND EQUIPMENT MANUFACTURERS. PLEASE REFER TO DIVING BOARD MANUFACTURERS FOR CORRECT POSITIONING AND INSTALLATION OF DIVING EQUIPMENT.



0' 5' 10'
SCALE

HIGHBURY POOLS LTD

RAINBOW - LEFT 18x20x35

DRAWING REFERENCE #
62-18-35-1

DRAWN BY: BC
REV. 13 FEB 2007
SHEET 2 OF 2