

MISCELLANEOUS INFORMATION

PERIMETER:-	104'6"
SURFACE AREA:	662.1 SQ FT
VOLUME:	18932 IMP GALS 86143 L

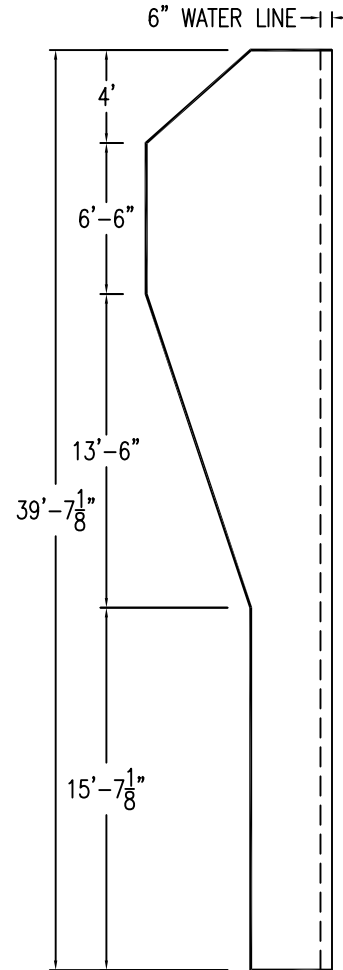
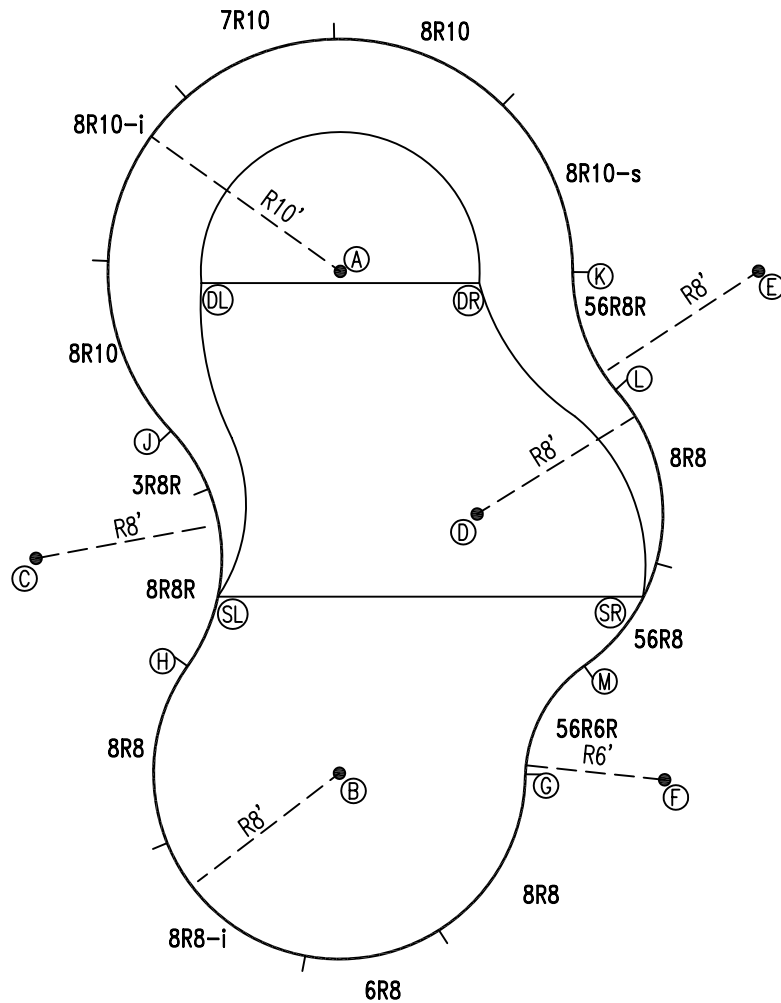
CONCRETE DECK INFO

WIDTH	AREA	NET INCREASES FOR:			
		STEPS	DIVING	SLIDE	ROLLER
2'	222	13	27	24	10
2'6"	281	17	31	20	10
3'	342	20	36	16	10

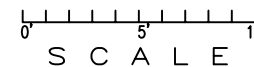
All Figures Represent "Sq Ft"

PARTS LIST

CODE	QTY	DESCRIPTION
8R10-s	1	8' Skimmer x 10' Radius
8R10-i	1	8' Return x 10' Radius
8R8-i	1	8' Return x 8' Radius
8R10	2	8' Plain x 10' Radius
7R10	1	7' Plain x 10' Radius
8R8	3	8' Plain x 8' Radius
6R8	1	6' Plain x 8' Radius
56R8	1	5'6 Plain x 8' Radius
8R8R	1	8' Plain x 8' Reverse Radius
56R8R	1	5'6 Plain x 8' Reverse Radius
3R8R	1	3' Plain x 8' Reverse Radius
56R6R	1	5'6 Plain x 6' Reverse Radius
AF	15	A-Frame
S	30	Stake
NB	90	Nuts & Bolts



*ALL DIMENSIONS ARE FINISHED



INSTALLATION DATA

From Point "A" to:-		From Point "B" to:-	
B	21'-7 1/8"	B	16'-0"
C	18'-0"	C	16'-0"
D	11'-11 7/8"	D	12'-7 1/2"
E	18'-0"	E	28'-1 3/4"
F	25'-11 1/2"	F	14'-0"
G	23'-0 3/4"	G	8'-0"
H	18'-2 1/2"	H	8'-0"
J	10'-0"	J	16'-5 1/8"
K	10'-0"	K	23'-9 3/8"
L	12'-10 3/4"	L	20'-3 7/8"
M	19'-11 1/2"	M	11'-6"
SL	14'-11 1/2"	SL	9'-2 5/8"
SR	19'-1 1/2"	SR	15'-1 3/8"
DL	6'-0"	DL	21'-10 7/8"
DR	6'-0"	DR	21'-11 1/4"

NOTICE

SWIMMING POOLS AND ACCESSORIES (INCLUDING DIVING BOARDS) ARE DANGEROUS WHEN IMPROPERLY USED OR INSTALLED. IT IS THE RESPONSIBILITY OF MUNICIPAL OFFICIALS, BUILDERS AND POOL OWNERS TO ADHERE TO ALL SAFETY RECOMMENDATIONS AND STANDARDS ISSUED BY THE POOL & HOT TUB COUNCIL, LOCAL AUTHORITIES AND EQUIPMENT MANUFACTURERS. PLEASE REFER TO DIVING BOARD MANUFACTURERS FOR CORRECT POSITIONING AND INSTALLATION OF DIVING EQUIPMENT.

EXTERNAL INSTALLATION DATA

AA TO:	BB TO:	CC TO:	DD TO:
AA ---	AA 39'-7 1/8"	AA 23'-9 1/2"	AA 46'-2 1/4"
BB ---	BB ---	BB 46'-2 1/4"	BB 23'-9 1/2"
CC ---	CC ---	CC ---	CC 39'-7 1/8"
A 14'-0 7/8"	A 31'-2 1/2"	A 17'-1 3/8"	A 32'-8 1/4"
B 33'-1 1/8"	B 12'-8 1/2"	B 34'-6 1/4"	B 16'-0 3/4"
C 22'-6 7/8"	C 17'-6 1/2"	C 35'-0 3/8"	C 32'-0 1/4"
D 25'-9 7/8"	D 24'-9 7/8"	D 21'-11 3/8"	D 20'-9 1/8"
E 29'-7 3/4"	E 40'-8 1/4"	E 10'-9 5/8"	E 29'-10 5/8"
F 39'-9 7/8"	F 25'-0 7/8"	F 31'-10 1/2"	F 7'-8 5/8"
G 36'-4"	G 19'-6 3/4"	G 32'-2 1/4"	G 9'-10 7/8"
H 27'-2 1/4"	H 13'-0 1/2"	H 33'-10 3/8"	H 24'-0 3/8"
J 17'-0 5/8"	J 22'-10 3/4"	J 27'-0 5/8"	J 31'-0 3/4"
K 22'-3 1/2"	K 35'-7 3/4"	K 10'-9"	K 29'-9 7/8"
L 26'-5 3/4"	L 32'-9 1/8"	L 15'-2 3/4"	L 24'-6 7/8"
M 33'-9 7/8"	M 23'-11 7/8"	M 27'-2 1/4"	M 13'-0 3/4"
SL 24'-5 1/4"	SL 16'-3 1/4"	SL 30'-8 1/2"	SL 24'-8 3/8"
SR 33'-2 3/8"	SR 27'-8 7/8"	SR 24'-0 1/8"	SR 15'-7 3/8"
DL 11'-2 1/2"	DL 29'-4 3/8"	DL 22'-5 5/8"	DL 35'-2 3/4"
DR 19'-0 1/2"	DR 33'-1 3/4"	DR 13'-1 3/4"	DR 30'-1 3/4"

DIAGONALS

From Point "J" to:-		From Point "H" to:-	
K	18'-6 7/8"	K	23'-8 1/2"
L	19'-2 3/8"	L	21'-11"
M	20'-5 1/2"	M	17'-0 7/8"
G	21'-2 7/8"	G	15'-3 1/8"

NOTICE

SWIMMING POOLS AND ACCESSORIES (INCLUDING DIVING BOARDS) ARE DANGEROUS WHEN IMPROPERLY USED OR INSTALLED. IT IS THE RESPONSIBILITY OF MUNICIPAL OFFICIALS, BUILDERS AND POOL OWNERS TO ADHERE TO ALL SAFETY RECOMMENDATIONS AND STANDARDS ISSUED BY THE POOL & HOT TUB COUNCIL, LOCAL AUTHORITIES AND EQUIPMENT MANUFACTURERS. PLEASE REFER TO DIVING BOARD MANUFACTURERS FOR CORRECT POSITIONING AND INSTALLATION OF DIVING EQUIPMENT.

