

MISCELLANEOUS INFORMATION

PERIMETER:	72'
SURFACE AREA:	288 SQ FT
VOLUME:	7053 IMP GALS 32091 LITER

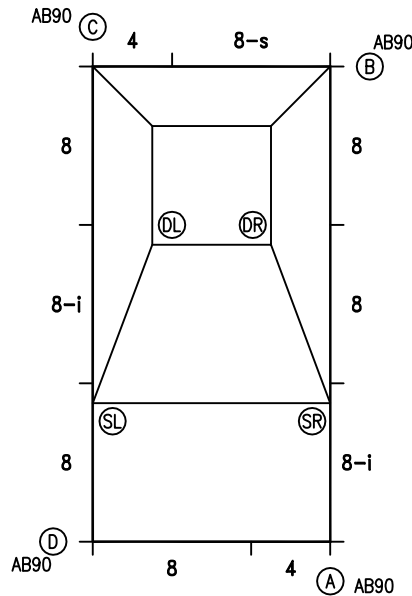
CONCRETE DECK INFO

WIDTH	AREA	NET INCREASES FOR:			
		STEPS	DIVING	SLIDE	ROLLER
2'	160	13	27	24	10
2'6"	205	17	31	20	10
3'	252	20	36	16	10

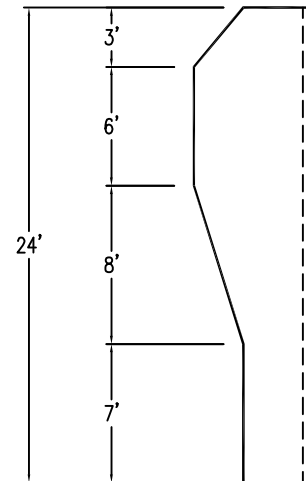
All Figures Represent "Sq Ft"

PARTS LIST

CODE	QTY	DESCRIPTION
8	5	8' Plain
4	2	4' Plain
AB90	4	90 Degree Angle Bracket
8-i	2	8' Return
8-s	1	8' Skimmer
AF	6	A-Frame
S	16	Stakes
NB	56	Nuts & Bolts



6" WATER LINE

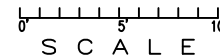


INSTALLATION DATA

From Point "A" to:-		From Point "B" to:-	
B	24'-0"	B	12'-0"
C	26'-9 3/4"	C	12'-0"
D	12'-0"	D	26'-9 3/4"
SL	13'-10 3/4"	SL	20'-9 3/4"
SR	7'-0"	SR	17'-0"
DL	17'-5 3/4"	DL	12'-8 3/4"
DR	15'-3 1/2"	DR	9'-5 3/4"

12'

*ALL DIMENSIONS ARE FINISHED



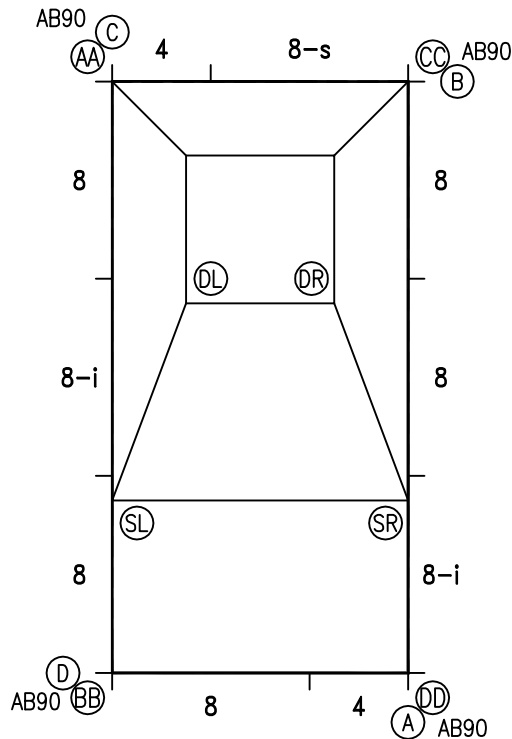
NOTICE

SWIMMING POOLS AND ACCESSORIES (INCLUDING DIVING BOARDS) ARE DANGEROUS WHEN IMPROPERLY USED OR INSTALLED. IT IS THE RESPONSIBILITY OF MUNICIPAL OFFICIALS, BUILDERS AND POOL OWNERS TO ADHERE TO ALL SAFETY RECOMMENDATIONS AND STANDARDS ISSUED BY THE POOL & HOT TUB COUNCIL, LOCAL AUTHORITIES AND EQUIPMENT MANUFACTURERS. PLEASE REFER TO DIVING BOARD MANUFACTURERS FOR CORRECT POSITIONING AND INSTALLATION OF DIVING EQUIPMENT.

PERIMETER: 72'

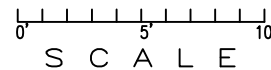
EXTERNAL INSTALLATION DATA

AA TO:	BB TO:	CC TO:	DD TO:
AA --	AA 24'-0"	AA 12'-0"	AA 26'-9 3/4"
BB --	BB --	BB 26'-9 3/4"	BB 12'-0"
CC --	CC --	CC --	CC 24'-0"
A 26'-9 3/4"	A 12'-0"	A 24'-0"	A 0'-0"
B 12'-0"	B 26'-9 3/4"	B 0'-0"	B 24'-0"
C 0'-0"	C 24'-0"	C 12'-0"	C 26'-9 3/4"
D 24'-0"	D 0'-0"	D 26'-9 3/4"	D 12'-0"
SL 17'-0"	SL 7'-0"	SL 20'-9 3/4"	SL 13'-10 3/4"
SR 20'-9 3/4"	SR 13'-10 3/4"	SR 17'-0"	SR 7'-0"
DL 9'-5 3/4"	DL 15'-3 1/2"	DL 12'-8 3/4"	DL 17'-5 3/4"
DR 12'-8 3/4"	DR 17'-5 3/4"	DR 9'-5 3/4"	DR 15'-3 1/2"



NOTICE

SWIMMING POOLS AND ACCESSORIES (INCLUDING DIVING BOARDS) ARE DANGEROUS WHEN IMPROPERLY USED OR INSTALLED. IT IS THE RESPONSIBILITY OF MUNICIPAL OFFICIALS, BUILDERS AND POOL OWNERS TO ADHERE TO ALL SAFETY RECOMMENDATIONS AND STANDARDS ISSUED BY THE POOL & HOT TUB COUNCIL, LOCAL AUTHORITIES AND EQUIPMENT MANUFACTURERS. PLEASE REFER TO DIVING BOARD MANUFACTURERS FOR CORRECT POSITIONING AND INSTALLATION OF DIVING EQUIPMENT.



HIGHBURY POOLS LTD

90° RECTANGLE - 12 x 24

DRAWING REFERENCE #
67-12-24-1

DRAWN BY: JLG
REV. 17 FEB 12
SHEET 2 OF 2