

MISCELLANEOUS INFORMATION

PERIMETER:	84'
SURFACE AREA:	392 SQ FT
VOLUME:	10363 IMP GALS 47152 LITER

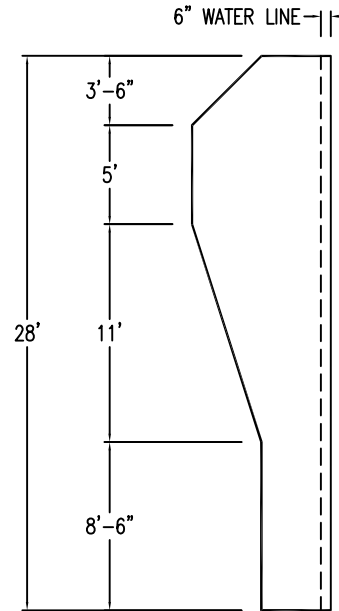
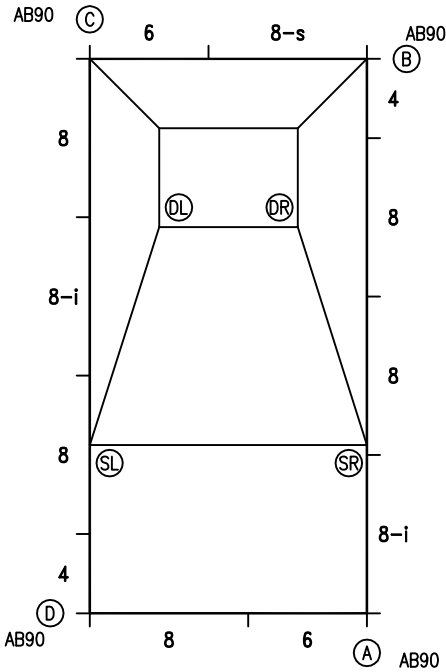
CONCRETE DECK INFO

WIDTH	AREA	NET INCREASES FOR:			
		STEPS	DIVING	SLIDE	ROLLER
2'	184	13	27	24	10
2'6"	235	17	31	20	10
3'	288	20	36	16	10

All Figures Represent "Sq Ft"

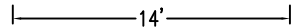
PARTS LIST

CODE	QTY	DESCRIPTION
8	5	8' Plain
6	2	6' Plain
AB90	4	90 Degree Angle Bracket
8-i	2	8' Return
4	2	4' Plain
8-s	1	8' Skimmer
AF	8	A-Frame
S	20	Stakes
NB	68	Nuts & Bolts

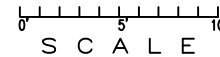


INSTALLATION DATA

From Point "A" to:-		From Point "B" to:-	
B	28'-0"	B	14'-0"
C	31'-3 1/2"	C	14'-0"
D	14'-0"	D	31'-3 1/2"
SL	16'-4 1/2"	SL	24'-0"
SR	8'-6"	SR	19'-6"
DL	22'-1 3/4"	DL	13'-6"
DR	19'-9 3/4"	DR	9'-2 1/4"



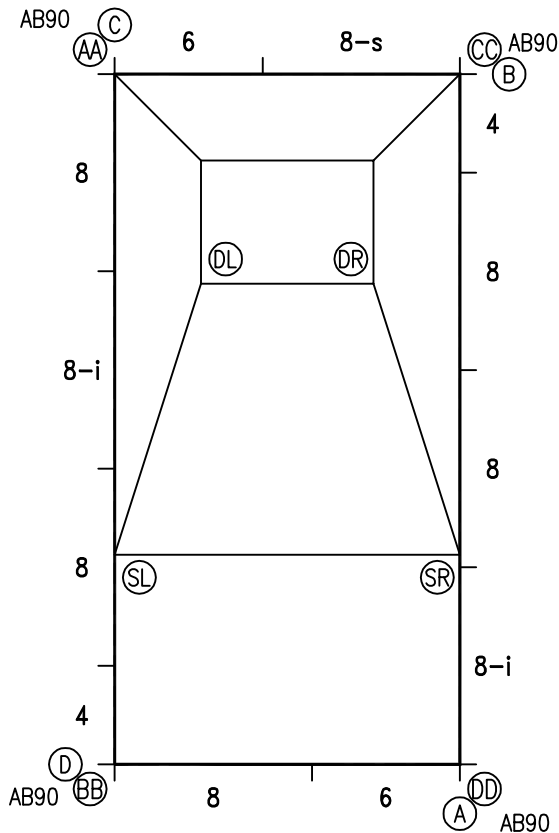
*ALL DIMENSIONS ARE FINISHED



NOTICE

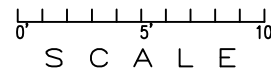
SWIMMING POOLS AND ACCESSORIES (INCLUDING DIVING BOARDS) ARE DANGEROUS WHEN IMPROPERLY USED OR INSTALLED. IT IS THE RESPONSIBILITY OF MUNICIPAL OFFICIALS, BUILDERS AND POOL OWNERS TO ADHERE TO ALL SAFETY RECOMMENDATIONS AND STANDARDS ISSUED BY THE POOL & HOT TUB COUNCIL, LOCAL AUTHORITIES AND EQUIPMENT MANUFACTURERS. PLEASE REFER TO DIVING BOARD MANUFACTURERS FOR CORRECT POSITIONING AND INSTALLATION OF DIVING EQUIPMENT.

PERIMETER: 84'



EXTERNAL INSTALLATION DATA

AA TO:	BB TO:	CC TO:	DD TO:
AA --	AA 28'-0"	AA 14'-0"	AA 31'-3 1/2"
BB --	BB --	BB 31'-3 1/2"	BB 14'-0"
CC --	CC --	CC --	CC 28'-0"
A 31'-3 1/2"	A 14'-0"	A 28'-0"	A 0'-0"
B 14'-0"	B 31'-3 1/2"	B 0'-0"	B 28'-0"
C 0'-0"	C 28'-0"	C 14'-0"	C 31'-3 1/2"
D 28'-0"	D 0'-0"	D 31'-3 1/2"	D 14'-0"
SL 19'-6"	SL 8'-6"	SL 24'-0"	SL 16'-4 1/2"
SR 24'-0"	SR 16'-4 1/2"	SR 19'-6"	SR 8'-6"
DL 9'-2 1/4"	DL 19'-9 3/4"	DL 13'-6"	DL 22'-1 3/4"
DR 13'-6"	DR 22'-1 3/4"	DR 9'-2 1/4"	DR 19'-9 3/4"



NOTICE

SWIMMING POOLS AND ACCESSORIES (INCLUDING DIVING BOARDS) ARE DANGEROUS WHEN IMPROPERLY USED OR INSTALLED. IT IS THE RESPONSIBILITY OF MUNICIPAL OFFICIALS, BUILDERS AND POOL OWNERS TO ADHERE TO ALL SAFETY RECOMMENDATIONS AND STANDARDS ISSUED BY THE POOL & HOT TUB COUNCIL, LOCAL AUTHORITIES AND EQUIPMENT MANUFACTURERS. PLEASE REFER TO DIVING BOARD MANUFACTURERS FOR CORRECT POSITIONING AND INSTALLATION OF DIVING EQUIPMENT.

HIGHBURY POOLS LTD

90° RECTANGLE - 14 x 28

DRAWING REFERENCE #
67-14-28-1

DRAWN BY: JLG
REV. 17 FEB 12
SHEET 2 OF 2