

MISCELLANEOUS INFORMATION

PERIMETER:	104'
SURFACE AREA:	576 SQ FT
VOLUME:	16122 IMP GALS 73355 LITER

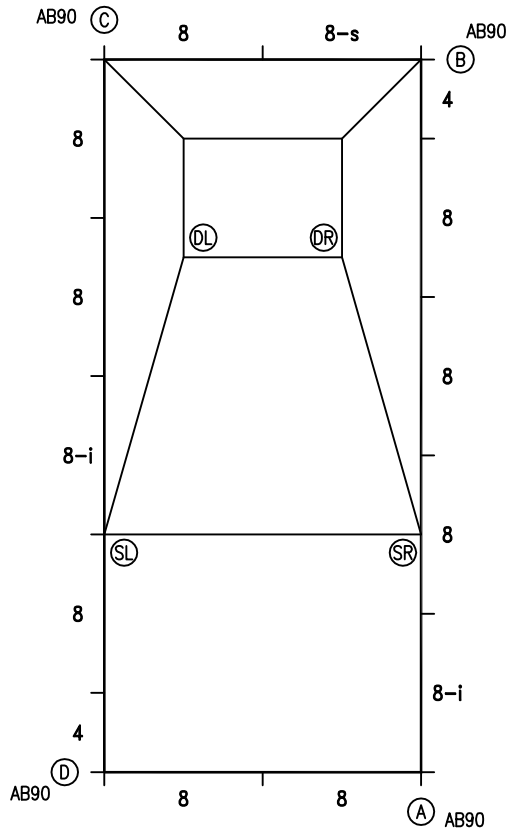
CONCRETE DECK INFO

WIDTH	AREA	NET INCREASES FOR:			
		STEPS	DIVING	SLIDE	ROLLER
2'	224	13	27	24	10
2'6"	285	17	31	20	10
3'	348	20	36	16	10

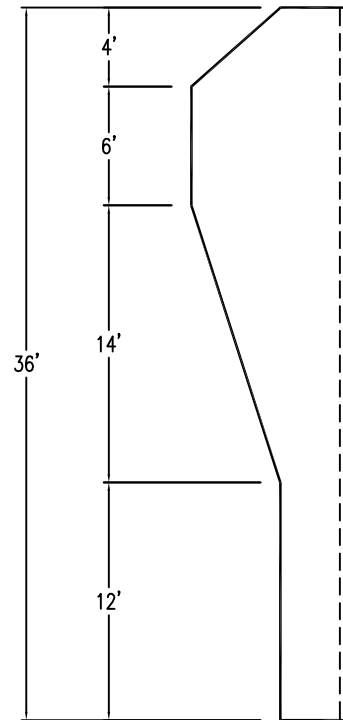
All Figures Represent "Sq Ft"

PARTS LIST

CODE	QTY	DESCRIPTION
8	9	8' Plain
AB90	4	90 Degree Angle Bracket
8-i	2	8' Return
4	2	4' Plain
8-s	1	8' Skimmer
AF	10	A-Frame
S	24	Stakes
NB	80	Nuts & Bolts

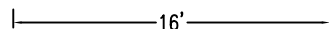


6" WATER LINE



INSTALLATION DATA

From Point "A" to:-		From Point "B" to:-	
B	36'-0"	B	16'-0"
C	39'-4 3/4"	C	39'-4 3/4"
D	16'-0"	D	39'-4 3/4"
SL	20'-0"	SL	28'-10"
SR	12'-0"	SR	24'-0"
DL	28'-7 1/2"	DL	15'-7 1/2"
DR	26'-3 1/2"	DR	10'-9 1/4"



*ALL DIMENSIONS ARE FINISHED



NOTICE

SWIMMING POOLS AND ACCESSORIES (INCLUDING DIVING BOARDS) ARE DANGEROUS WHEN IMPROPERLY USED OR INSTALLED. IT IS THE RESPONSIBILITY OF MUNICIPAL OFFICIALS, BUILDERS AND POOL OWNERS TO ADHERE TO ALL SAFETY RECOMMENDATIONS AND STANDARDS ISSUED BY THE POOL & HOT TUB COUNCIL, LOCAL AUTHORITIES AND EQUIPMENT MANUFACTURERS. PLEASE REFER TO DIVING BOARD MANUFACTURERS FOR CORRECT POSITIONING AND INSTALLATION OF DIVING EQUIPMENT.

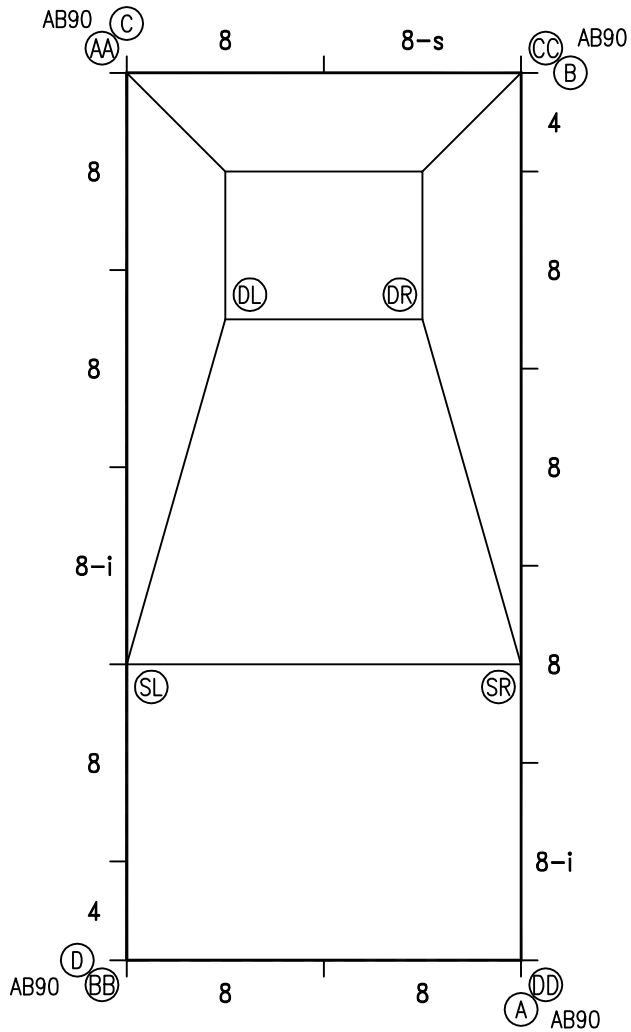
HIGHBURY POOLS LTD

90° RECTANGLE - 16 x 36

DRAWING REFERENCE #
67-16-36-1

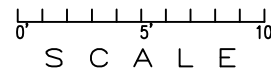
DRAWN BY: JLG
REV. 17 FEB 12
SHEET 1 OF 2

PERIMETER: 104'



EXTERNAL INSTALLATION DATA

AA TO:	BB TO:	CC TO:	DD TO:
AA --	AA 36'-0"	AA 16'-0"	AA 39'-4 3/4"
BB --	BB --	BB 39'-4 3/4"	BB 16'-0"
CC --	CC --	CC --	CC 36'-0"
A 39'-4 3/4"	A 16'-0"	A 36'-0"	A 0'-0"
B 16'-0"	B 39'-4 3/4"	B 0'-0"	B 36'-0"
C 0'-0"	C 36'-0"	C 16'-0"	C 39'-4 3/4"
D 36'-0"	D 0'-0"	D 39'-4 3/4"	D 16'-0"
SL 24'-0"	SL 12'-0"	SL 28'-10"	SL 20'-0"
SR 28'-10"	SR 20'-0"	SR 24'-0"	SR 12'-0"
DL 10'-9 1/4"	DL 26'-3 1/2"	DL 15'-7 1/2"	DL 28'-7 1/2"
DR 15'-7 1/2"	DR 28'-7 1/2"	DR 10'-9 1/4"	DR 26'-3 1/2"



NOTICE

SWIMMING POOLS AND ACCESSORIES (INCLUDING DIVING BOARDS) ARE DANGEROUS WHEN IMPROPERLY USED OR INSTALLED. IT IS THE RESPONSIBILITY OF MUNICIPAL OFFICIALS, BUILDERS AND POOL OWNERS TO ADHERE TO ALL SAFETY RECOMMENDATIONS AND STANDARDS ISSUED BY THE POOL & HOT TUB COUNCIL, LOCAL AUTHORITIES AND EQUIPMENT MANUFACTURERS. PLEASE REFER TO DIVING BOARD MANUFACTURERS FOR CORRECT POSITIONING AND INSTALLATION OF DIVING EQUIPMENT.

HIGHBURY POOLS LTD

90° RECTANGLE - 16 x 36

DRAWING REFERENCE #
67-16-36-1

DRAWN BY: JLG
REV. 17 FEB 12
SHEET 2 OF 2