

MISCELLANEOUS INFORMATION

PERIMETER:	108'
SURFACE AREA:	648 SQ FT
VOLUME:	18138 IMP GALS 82528 LITER

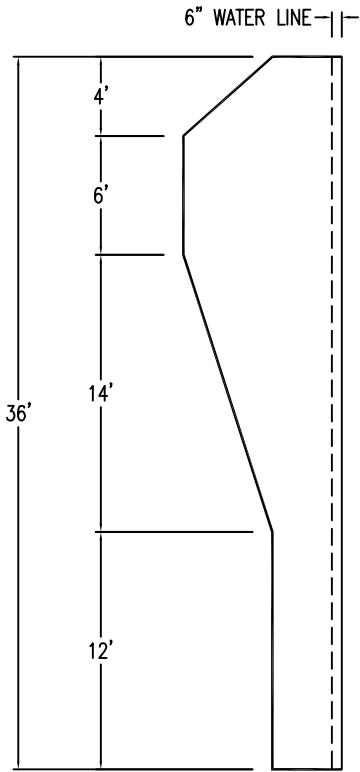
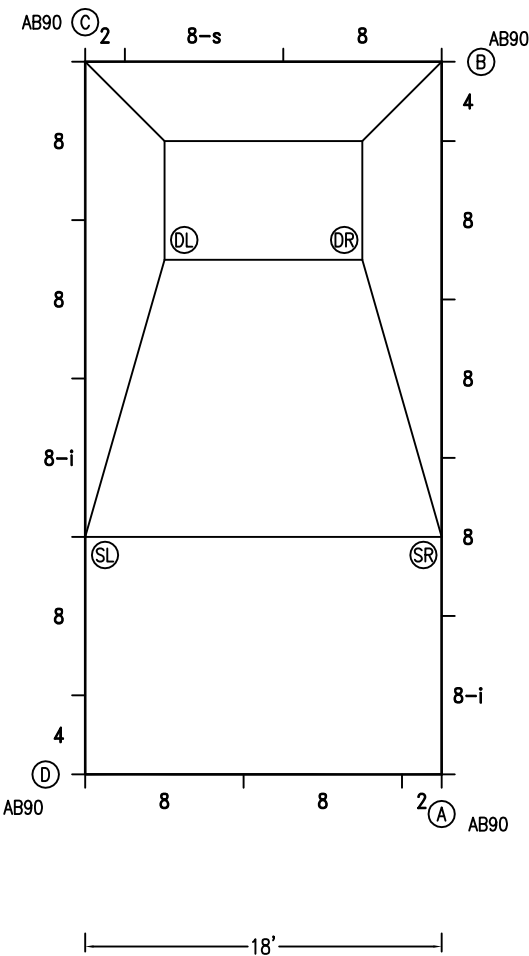
PARTS LIST

CODE	QTY	DESCRIPTION
8	9	8' Plain
2	2	2' Plain
AB90	4	90 Degree Angle Bracket
8-i	2	8' Return
4	2	4' Plain
8-s	1	8' Skimmer
AF	12	A-Frame
S	28	Stakes
NB	92	Nuts & Bolts

CONCRETE DECK INFO

WIDTH	AREA	NET INCREASES FOR:			
		STEPS	DIVING	SLIDE	ROLLER
2'	232	13	27	24	10
2'6"	295	17	31	20	10
3'	360	20	36	16	10

All Figures Represent "Sq Ft"



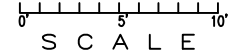
INSTALLATION DATA

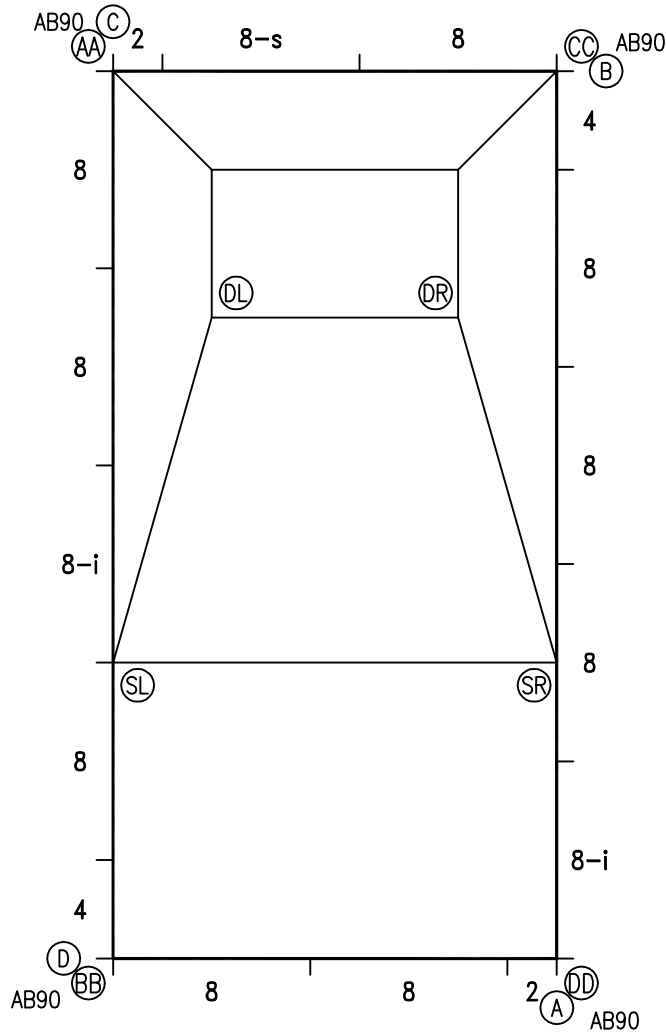
From Point "A" to:-		From Point "B" to:-	
B	36'-0"	B	18'-0"
C	40'-2 3/4"	C	18'-0"
D	18'-0"	D	40'-2 3/4"
SL	21'-7 1/2"	SL	30'-0"
DL	12'-0"	SR	24'-0"
DR	29'-6 1/4"	DL	17'-2 1/2"
DR	26'-3 1/2"	DR	10'-9 1/4"

NOTICE

SWIMMING POOLS AND ACCESSORIES (INCLUDING DIVING BOARDS) ARE DANGEROUS WHEN IMPROPERLY USED OR INSTALLED. IT IS THE RESPONSIBILITY OF MUNICIPAL OFFICIALS, BUILDERS AND POOL OWNERS TO ADHERE TO ALL SAFETY RECOMMENDATIONS AND STANDARDS ISSUED BY THE POOL & HOT TUB COUNCIL, LOCAL AUTHORITIES AND EQUIPMENT MANUFACTURERS. PLEASE REFER TO DIVING BOARD MANUFACTURERS FOR CORRECT POSITIONING AND INSTALLATION OF DIVING EQUIPMENT.

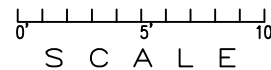
*ALL DIMENSIONS ARE FINISHED





EXTERNAL INSTALLATION DATA

AA TO:	BB TO:	CC TO:	DD TO:
AA --	AA 36'-0"	AA 18'-0"	AA 40'-2 3/4"
BB --	BB --	BB 40'-2 3/4"	BB 18'-0"
CC --	CC --	CC --	CC 36'-0"
A 40'-2 3/4"	A 18'-0"	A 36'-0"	A 0'-0"
B 18'-0"	B 40'-2 3/4"	B 0'-0"	B 36'-0"
C 0'-0"	C 36'-0"	C 18'-0"	C 40'-2 3/4"
D 36'-0"	D 0'-0"	D 40'-2 3/4"	D 18'-0"
SL 24'-0"	SL 12'-0"	SL 30'-0"	SL 21'-7 1/2"
SR 30'-0"	SR 21'-7 1/2"	SR 24'-0"	SR 12'-0"
DL 10'-9 1/4"	DL 26'-3 1/2"	DL 17'-2 1/2"	DL 29'-6 1/4"
DR 17'-2 1/2"	DR 29'-6 1/4"	DR 10'-9 1/4"	DR 26'-3 1/2"



NOTICE

SWIMMING POOLS AND ACCESSORIES (INCLUDING DIVING BOARDS) ARE DANGEROUS WHEN IMPROPERLY USED OR INSTALLED. IT IS THE RESPONSIBILITY OF MUNICIPAL OFFICIALS, BUILDERS AND POOL OWNERS TO ADHERE TO ALL SAFETY RECOMMENDATIONS AND STANDARDS ISSUED BY THE POOL & HOT TUB COUNCIL, LOCAL AUTHORITIES AND EQUIPMENT MANUFACTURERS. PLEASE REFER TO DIVING BOARD MANUFACTURERS FOR CORRECT POSITIONING AND INSTALLATION OF DIVING EQUIPMENT.