

MISCELLANEOUS INFORMATION

| | |
|---------------|----------------------------|
| PERIMETER: | 113'2" |
| SURFACE AREA: | 786 SQ FT |
| VOLUME: | 22509 IMP GALS 102416LITER |

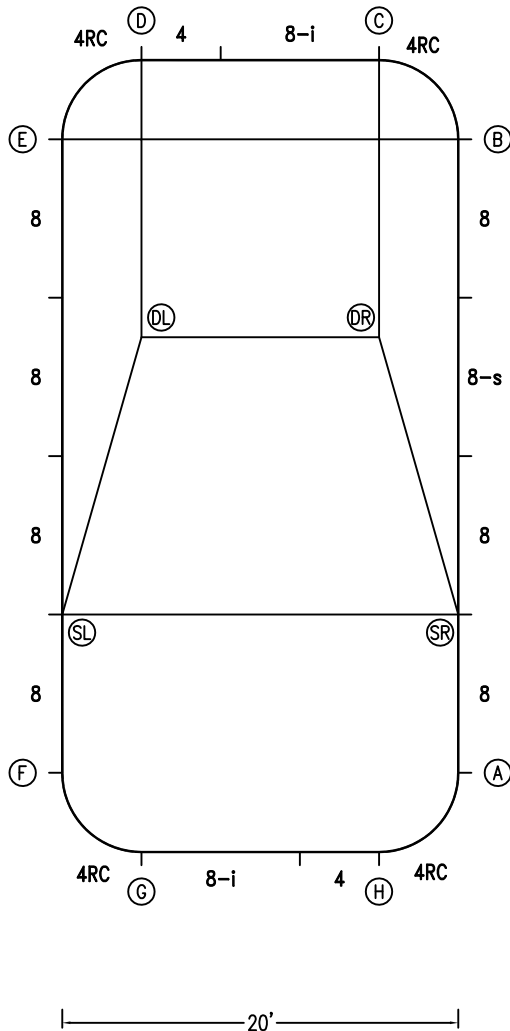
CONCRETE DECK INFO

| WIDTH | AREA | NET INCREASES FOR: | | | |
|-------|------|--------------------|--------|-------|--------|
| | | STEPS | DIVING | SLIDE | ROLLER |
| 2' | 239 | 13 | 27 | 24 | 10 |
| 2'6" | 303 | 17 | 31 | 20 | 10 |
| 3' | 368 | 20 | 36 | 16 | 10 |

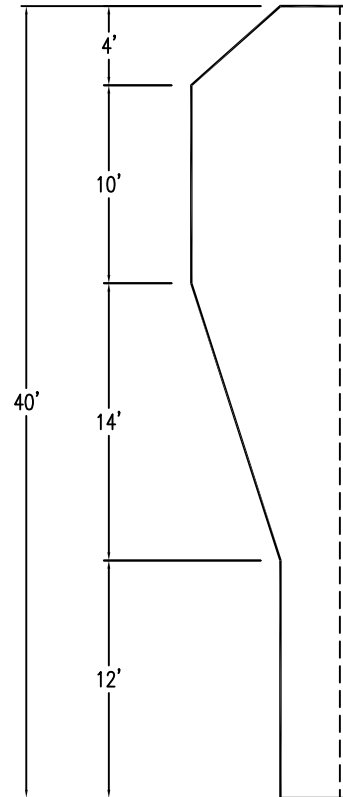
All Figures Represent "Sq Ft"

PARTS LIST

| CODE | QTY | DESCRIPTION |
|------|-----|-------------------------|
| 4RC | 4 | 6'3" Plain x 4' Rad Cnr |
| 8 | 7 | 8' Plain |
| 8-s | 1 | 8' Skimmer |
| 8-i | 2 | 8' Return |
| 4 | 2 | 4' Plain |
| AF | 16 | A-Frame |
| S | 32 | Stakes |
| NB | 96 | Nuts & Bolts |



6" WATER LINE



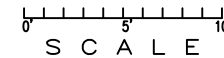
INSTALLATION DATA

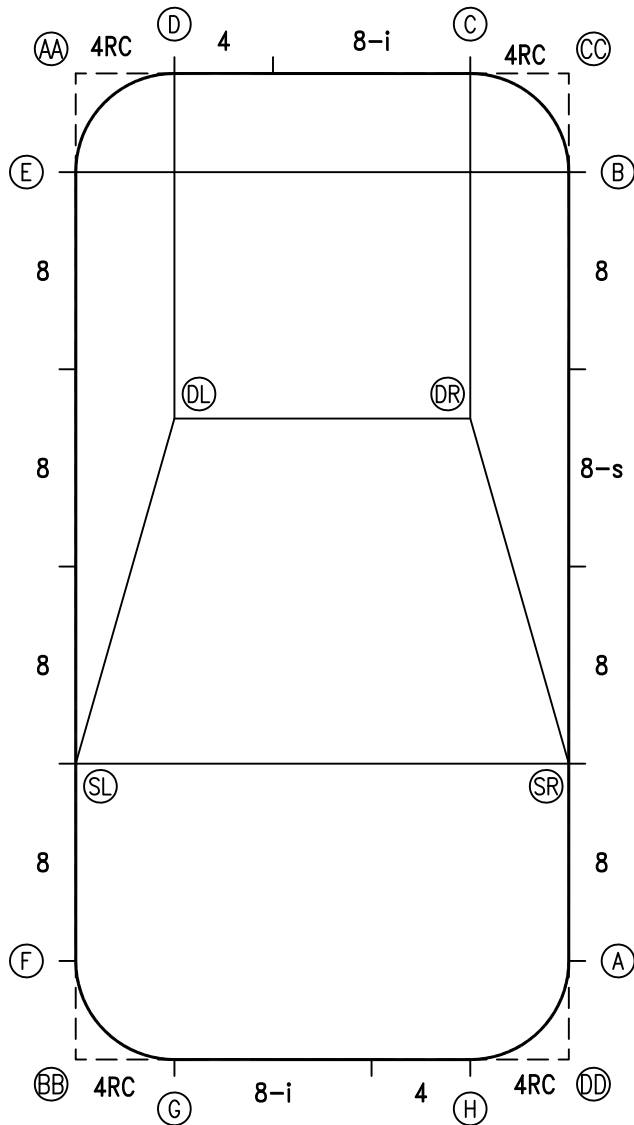
| From Point "A" to:- | | From Point "B" to:- | |
|---------------------|------------|---------------------|-------------|
| B | 32'-0" | B | 5'-7 3/4" |
| C | 36'-2 1/2" | C | 16'-5 3/4" |
| D | 39'-4 3/4" | D | 20'-0" |
| E | 37'-8 3/4" | E | 37'-8 3/4" |
| F | 20'-0" | F | 39'-4 3/4" |
| G | 16'-5 3/4" | G | 36'-2 1/2" |
| H | 5'-7 3/4" | H | 31'-2 3/4" |
| SL | 21'-6 1/2" | SL | 24'-0" |
| SR | 8'-0" | DL | 18'-10 1/4" |
| DL | 27'-2 1/4" | DR | 10'-9 1/4" |
| DR | 22'-4 1/4" | | |

NOTICE

SWIMMING POOLS AND ACCESSORIES (INCLUDING DIVING BOARDS) ARE DANGEROUS WHEN IMPROPERLY USED OR INSTALLED. IT IS THE RESPONSIBILITY OF MUNICIPAL OFFICIALS, BUILDERS AND POOL OWNERS TO ADHERE TO ALL SAFETY RECOMMENDATIONS AND STANDARDS ISSUED BY THE POOL & HOT TUB COUNCIL, LOCAL AUTHORITIES AND EQUIPMENT MANUFACTURERS. PLEASE REFER TO DIVING BOARD MANUFACTURERS FOR CORRECT POSITIONING AND INSTALLATION OF DIVING EQUIPMENT.

*ALL DIMENSIONS ARE FINISHED



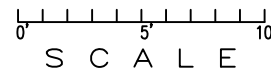


EXTERNAL INSTALLATION DATA

| AA TO: | BB TO: | CC TO: | DD TO: |
|--------|---------------|---------------|---------------|
| AA | AA 40'-0" | AA 20'-0" | AA 44'-8 1/2" |
| BB | BB -- | BB 44'-8 1/2" | BB 20'-0" |
| CC | CC -- | CC -- | CC 40'-0" |
| A | A 41'-2 1/4" | A 20'-4 3/4" | A 36'-0" |
| B | B 20'-4 3/4" | B 41'-2 1/4" | B 4'-0" |
| C | C 16'-0" | C 43'-0 3/4" | C 4'-0" |
| D | D 4'-0" | D 40'-2 1/4" | D 16'-0" |
| E | E 4'-0" | E 36'-0" | E 20'-4 3/4" |
| F | F 36'-0" | F 4'-0" | F 41'-2 1/4" |
| G | G 40'-2 1/4" | G 4'-0" | G 43'-0 3/4" |
| H | H 43'-0 3/4" | H 16'-0" | H 40'-2 1/4" |
| SL | SL 28'-0" | SL 12'-0" | SL 34'-4 3/4" |
| SR | SR 34'-4 3/4" | SR 23'-3 3/4" | SR 28'-0" |
| DL | DL 14'-6 3/4" | DL 26'-3 1/2" | DL 21'-3" |
| DR | DR 21'-3" | DR 30'-6 1/4" | DR 14'-6 3/4" |

NOTICE

SWIMMING POOLS AND ACCESSORIES (INCLUDING DIVING BOARDS) ARE DANGEROUS WHEN IMPROPERLY USED OR INSTALLED. IT IS THE RESPONSIBILITY OF MUNICIPAL OFFICIALS, BUILDERS AND POOL OWNERS TO ADHERE TO ALL SAFETY RECOMMENDATIONS AND STANDARDS ISSUED BY THE POOL & HOT TUB COUNCIL, LOCAL AUTHORITIES AND EQUIPMENT MANUFACTURERS. PLEASE REFER TO DIVING BOARD MANUFACTURERS FOR CORRECT POSITIONING AND INSTALLATION OF DIVING EQUIPMENT.



HIGHBURY POOLS LTD

RECTANGLE-CATALINA - 20 x 40

DRAWING REFERENCE #
66-20-40-1

DRAWN BY: JK
REV. 1 AUG 13
SHEET 2 OF 2