

**MISCELLANEOUS INFORMATION**

PERIMETER:	56'7"
SURFACE AREA:	197 SQ FT
VOLUME:	4756 IMP GALS 21640 LITER

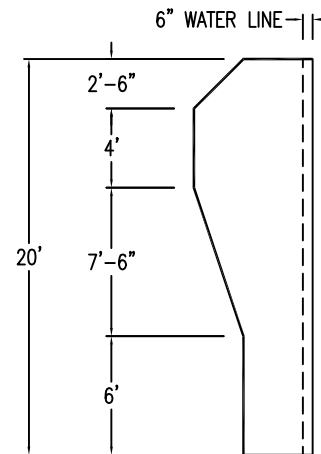
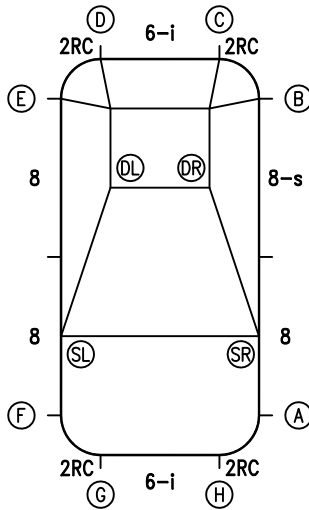
**CONCRETE DECK INFO**

WIDTH	AREA	NET INCREASES FOR:			
		STEPS	DIVING	SLIDE	ROLLER
2'	125	13	27	24	10
2'6"	161	17	31	20	10
3'	198	20	36	16	10

All Figures Represent "Sq Ft"

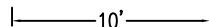
**PARTS LIST**

CODE	QTY	DESCRIPTION
2RC	4	3'2" Plain x 2' Rad Cnr
8	3	8' Plain
8-s	1	8' Skimmer
6-i	2	6' Return
AF	10	A-Frame
S	20	Stakes
NB	60	Nuts & Bolts

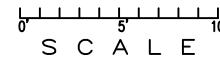


**INSTALLATION DATA**

From Point "A" to:-		From Point "B" to:-	
B	16'-0"	B	2'-9 3/4"
C	18'-1 1/4"	C	8'-2 3/4"
D	19'-8 1/4"	D	10'-0"
E	18'-10 1/4"	E	18'-10 1/4"
F	10'-0"	F	19'-8 1/4"
G	8'-2 3/4"	G	18'-1 1/4"
H	2'-9 3/4"	H	15'-7 1/2"
SL	10'-9 1/4"	SR	12'-0"
SR	4'-0"	DL	8'-8 3/4"
DL	13'-8 3/4"	DR	5'-1 3/4"
DR	11'-9 1/4"		



\*ALL DIMENSIONS ARE FINISHED

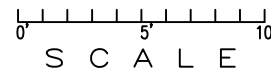
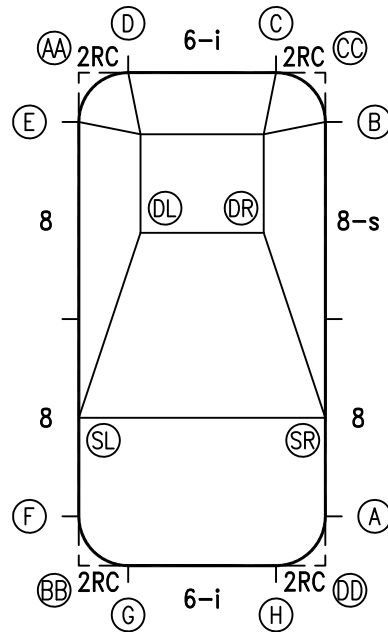


**NOTICE**

SWIMMING POOLS AND ACCESSORIES (INCLUDING DIVING BOARDS) ARE DANGEROUS WHEN IMPROPERLY USED OR INSTALLED. IT IS THE RESPONSIBILITY OF MUNICIPAL OFFICIALS, BUILDERS AND POOL OWNERS TO ADHERE TO ALL SAFETY RECOMMENDATIONS AND STANDARDS ISSUED BY THE POOL & HOT TUB COUNCIL, LOCAL AUTHORITIES AND EQUIPMENT MANUFACTURERS. PLEASE REFER TO DIVING BOARD MANUFACTURERS FOR CORRECT POSITIONING AND INSTALLATION OF DIVING EQUIPMENT.

EXTERNAL INSTALLATION DATA

AA TO:		BB TO:		CC TO:		DD TO:	
AA	--	AA	20'-0"	AA	10'-0"	AA	22'-4 1/4"
BB	--	BB	--	BB	22'-4 1/4"	BB	10'-0"
CC	--	CC	--	CC	--	CC	20'-0"
A	20'-7"	A	10'-2 1/4"	A	18'-0"	A	2'-0"
B	10'-2 1/4"	B	20'-7"	B	2'-0"	B	18'-0"
C	8'-0"	C	21'-6 1/2"	C	2'-0"	C	20'-1 1/4"
D	2'-0"	D	20'-1 1/4"	D	8'-0"	D	21'-6 1/2"
E	2'-0"	E	18'-0"	E	10'-2 1/4"	E	20'-7"
F	18'-0"	F	2'-0"	F	20'-7"	F	10'-2 1/4"
G	20'-1 1/4"	G	2'-0"	G	21'-6 1/2"	G	8'-0"
H	21'-6 1/2"	H	8'-0"	H	20'-1 1/4"	H	2'-0"
SL	14'-0"	SL	6'-0"	SL	17'-2 1/2"	SL	11'-7 3/4"
SR	17'-2 1/2"	SR	11'-7 3/4"	SR	14'-0"	SR	6'-0"
DL	6'-11 1/2"	DL	13'-8 3/4"	DL	9'-11"	DL	15'-5 1/4"
DR	9'-11"	DR	15'-5 1/4"	DR	6'-11 1/2"	DR	13'-8 3/4"



NOTICE

SWIMMING POOLS AND ACCESSORIES (INCLUDING DIVING BOARDS) ARE DANGEROUS WHEN IMPROPERLY USED OR INSTALLED. IT IS THE RESPONSIBILITY OF MUNICIPAL OFFICIALS, BUILDERS AND POOL OWNERS TO ADHERE TO ALL SAFETY RECOMMENDATIONS AND STANDARDS ISSUED BY THE POOL & HOT TUB COUNCIL, LOCAL AUTHORITIES AND EQUIPMENT MANUFACTURERS. PLEASE REFER TO DIVING BOARD MANUFACTURERS FOR CORRECT POSITIONING AND INSTALLATION OF DIVING EQUIPMENT.

HIGHBURY POOLS LTD

RECTANGLE - 10 x 20

DRAWING REFERENCE #  
65-10-20-1

DRAWN BY: JK  
REV. 1 AUG 13  
SHEET 2 OF 2