

MISCELLANEOUS INFORMATION

PERIMETER:	116'7"
SURFACE AREA:	797 SQ FT
VOLUME:	22701 IMP GALS 10329 LITER

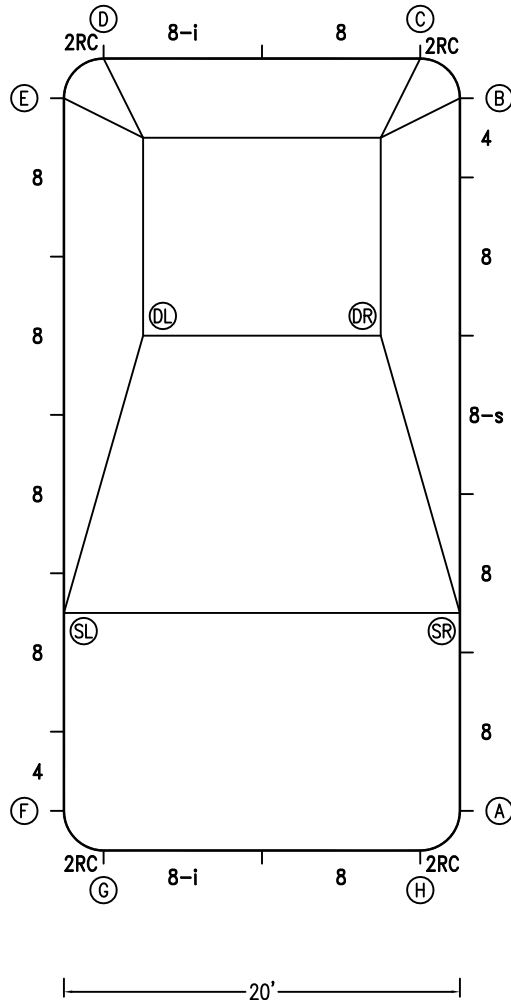
CONCRETE DECK INFO

WIDTH	AREA	NET INCREASES FOR:			
		STEPS	DIVING	SLIDE	ROLLER
2'	245	13	27	24	10
2'6"	311	17	31	20	10
3'	378	20	36	16	10

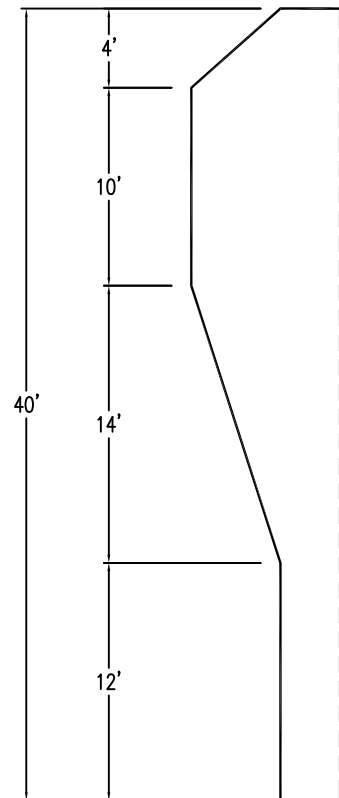
All Figures Represent "Sq Ft"

PARTS LIST

CODE	QTY	DESCRIPTION
2RC	4	3'2" Plain x 2' Rad Cnr
8	9	8' Plain
8-s	1	8' Skimmer
4	2	4' Plain
8-i	2	8' Return
AF	18	A-Frame
S	36	Stakes
NB	108	Nuts & Bolts



6" WATER LINE



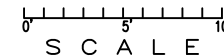
INSTALLATION DATA

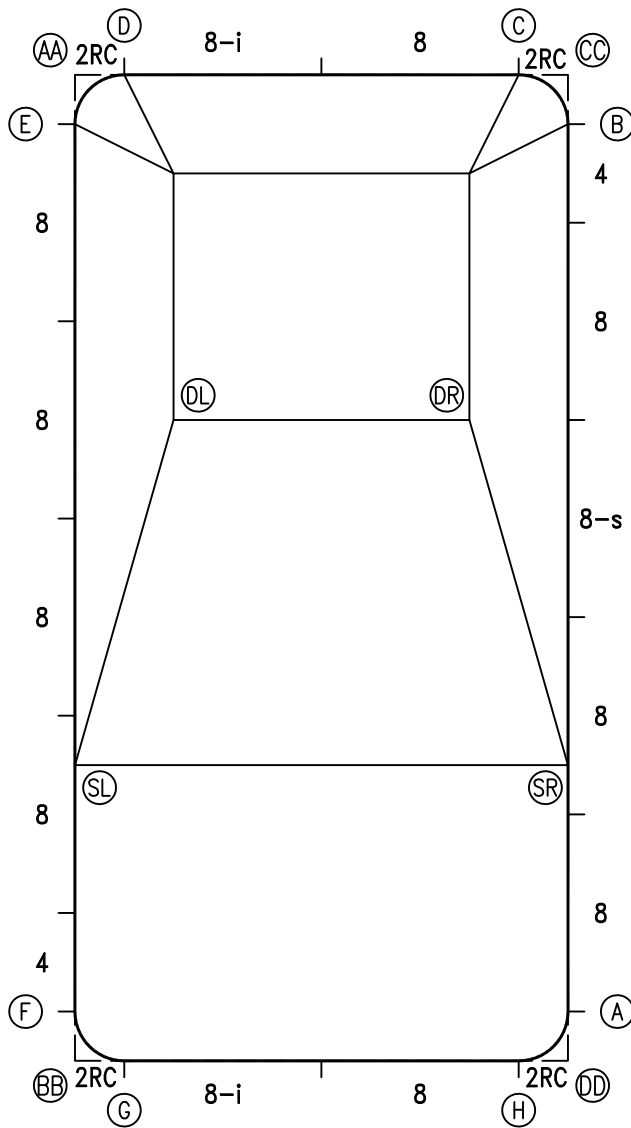
From Point "A" to:-		From Point "B" to:-	
B	36'-0"	B	2'-9 3/4"
C	38'-0 1/2"	C	2'-9 3/4"
D	42'-0 1/2"	D	18'-1 1/4"
E	41'-2 1/4"	E	20'-0"
F	20'-0"	F	41'-2 1/4"
G	18'-1 1/4"	G	42'-0 1/2"
H	2'-9 3/4"	H	38'-0 1/2"
SL	22'-4 1/4"	SL	32'-9 1/2"
SR	10'-0"	SR	26'-0"
DL	28'-10"	DL	20'-0"
DR	24'-3 3/4"	DR	12'-7 3/4"

NOTICE

SWIMMING POOLS AND ACCESSORIES (INCLUDING DIVING BOARDS) ARE DANGEROUS WHEN IMPROPERLY USED OR INSTALLED. IT IS THE RESPONSIBILITY OF MUNICIPAL OFFICIALS, BUILDERS AND POOL OWNERS TO ADHERE TO ALL SAFETY RECOMMENDATIONS AND STANDARDS ISSUED BY THE POOL & HOT TUB COUNCIL, LOCAL AUTHORITIES AND EQUIPMENT MANUFACTURERS. PLEASE REFER TO DIVING BOARD MANUFACTURERS FOR CORRECT POSITIONING AND INSTALLATION OF DIVING EQUIPMENT.

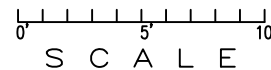
*ALL DIMENSIONS ARE FINISHED





EXTERNAL INSTALLATION DATA

AA TO:	BB TO:	CC TO:	DD TO:
AA --	AA 40'-0"	AA 20'-0"	AA 44'-8 1/2"
BB --	BB --	BB 44'-8 1/2"	BB 20'-0"
CC --	CC --	CC --	CC 40'-0"
A 42'-11 1/4"	A 20'-1 1/4"	A 38'-0"	A 2'-0"
B 20'-1 1/4"	B 42'-11 1/4"	B 2'-0"	B 38'-0"
C 18'-0"	C 43'-10 1/4"	C 2'-0"	C 40'-0 1/2"
D 2'-0"	D 40'-0 1/2"	D 18'-0"	D 43'-10 1/4"
E 2'-0"	E 38'-0"	E 20'-1 1/4"	E 42'-11 1/4"
F 38'-0"	F 2'-0"	F 42'-11 1/4"	F 20'-1 1/4"
G 40'-0 1/2"	G 2'-0"	G 43'-10 1/4"	G 18'-0"
H 43'-10 1/4"	H 18'-0"	H 40'-0 1/2"	H 2'-0"
SL 28'-0"	SL 12'-0"	SL 34'-4 3/4"	SL 23'-3 3/4"
SR 34'-4 3/4"	SR 23'-3 3/4"	SR 28'-0"	SR 12'-0"
DL 14'-6 3/4"	DL 26'-3 1/2"	DL 21'-3"	DL 30'-6 1/4"
DR 21'-3"	DR 30'-6 1/4"	DR 14'-6 3/4"	DR 26'-3 1/2"



NOTICE

SWIMMING POOLS AND ACCESSORIES (INCLUDING DIVING BOARDS) ARE DANGEROUS WHEN IMPROPERLY USED OR INSTALLED. IT IS THE RESPONSIBILITY OF MUNICIPAL OFFICIALS, BUILDERS AND POOL OWNERS TO ADHERE TO ALL SAFETY RECOMMENDATIONS AND STANDARDS ISSUED BY THE POOL & HOT TUB COUNCIL, LOCAL AUTHORITIES AND EQUIPMENT MANUFACTURERS. PLEASE REFER TO DIVING BOARD MANUFACTURERS FOR CORRECT POSITIONING AND INSTALLATION OF DIVING EQUIPMENT.

HIGHBURY POOLS LTD

RECTANGLE - 20 x 40

DRAWING REFERENCE #
65-20-40-1

DRAWN BY: JK
REV. 1 AUG 13
SHEET 2 OF 2