

MISCELLANEOUS INFORMATION

| | |
|---------------|-----------------------|
| PERIMETER:- | 66'-0" |
| SURFACE AREA: | 274.6 SQ FT |
| VOLUME: | 6839 IMP GALS 31115 L |

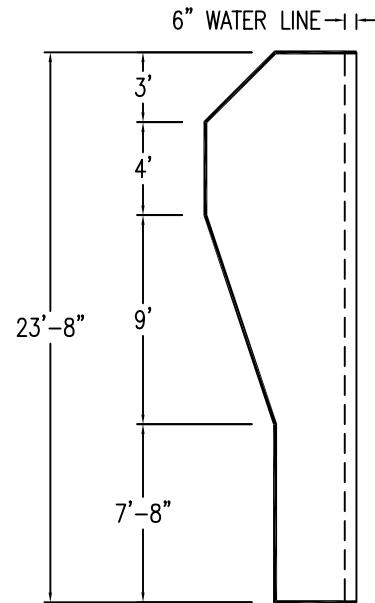
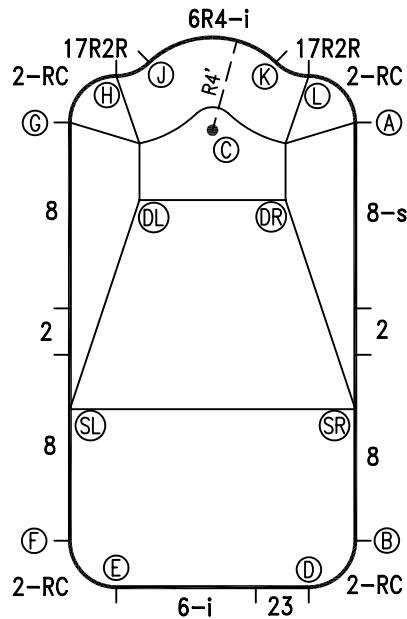
CONCRETE DECK INFO

| WIDTH | AREA | NET INCREASES FOR: | | | |
|-------|------|--------------------|--------|-------|--------|
| | | STEPS | DIVING | SLIDE | ROLLER |
| 2' | 145 | 13 | 27 | 24 | 10 |
| 2'6" | 185 | 17 | 31 | 20 | 10 |
| 3' | 226 | 20 | 36 | 16 | 10 |

All Figures Represent "Sq Ft"

PARTS LIST

| CODE | QTY | DESCRIPTION |
|-------|-----|-----------------------------|
| 8-s | 1 | 8' Skimmer |
| 6R4-i | 1 | 6' Return x 4' Rad |
| 8 | 3 | 8' Plain |
| 2 | 2 | 2' Plain |
| 2-RC | 4 | 3'2 Plain x 2' Rad Corner |
| 17R2R | 2 | 1'7" Plain x 2' Reverse Rad |
| 6-i | 1 | 6' Return |
| 23 | 1 | 2'3" Plain |
| AF | 15 | A-Frame |
| S | 30 | Stake |
| NB | 90 | Nuts & Bolts |



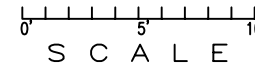
*ALL DIMENSIONS ARE FINISHED

INSTALLATION DATA

| From Point "A" to:- | | From Point "B" to:- | |
|---------------------|------------|---------------------|-------------|
| B | 18'-0" | B | 18'-8 3/8" |
| C | 6'-1 7/8" | C | 18'-8 3/8" |
| D | 20'-1 1/4" | D | 2'-9 7/8" |
| E | 22'-5 7/8" | E | 10'-5 3/4" |
| F | 21'-9 1/2" | F | 12'-3 3/8" |
| G | 12'-3 3/8" | G | 21'-9 1/2" |
| H | 10'-5 3/4" | H | 22'-5 7/8" |
| J | 9'-2 7/8" | J | 22'-4 7/8" |
| K | 4'-3 3/8" | K | 20'-10 3/8" |
| L | 2'-9 7/8" | L | 20'-1 1/4" |
| SL | 17'-4 7/8" | SL | 13'-6 1/4" |
| SR | 12'-4 1/8" | SR | 5'-7 7/8" |
| DL | 9'-10 3/8" | DL | 17'-4 1/4" |
| DR | 4'-5 7/8" | DR | 14'-11 5/8" |

NOTICE

SWIMMING POOLS AND ACCESSORIES (INCLUDING DIVING BOARDS) ARE DANGEROUS WHEN IMPROPERLY USED OR INSTALLED. IT IS THE RESPONSIBILITY OF MUNICIPAL OFFICIALS, BUILDERS AND POOL OWNERS TO ADHERE TO ALL SAFETY RECOMMENDATIONS AND STANDARDS ISSUED BY THE POOL & HOT TUB COUNCIL, LOCAL AUTHORITIES AND EQUIPMENT MANUFACTURERS. PLEASE REFER TO DIVING BOARD MANUFACTURERS FOR CORRECT POSITIONING AND INSTALLATION OF DIVING EQUIPMENT.



HIGHBURY POOLS LTD

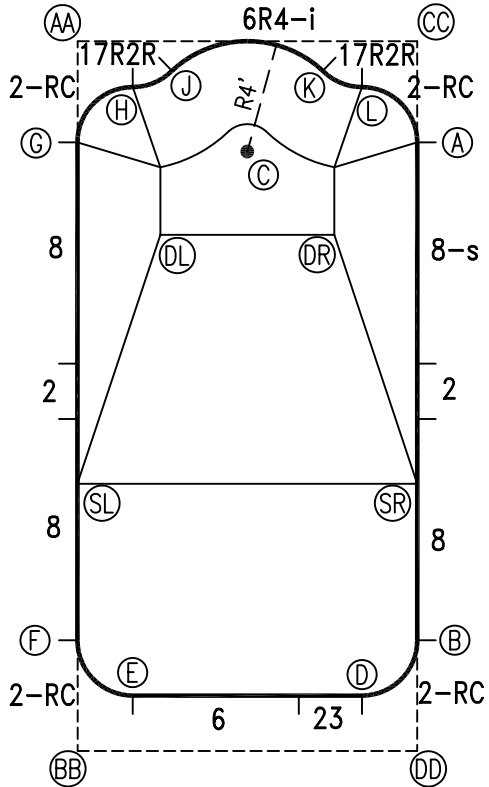
ROMAN HALF 12 x 24

DRAWING REFERENCE #
76-12-24-1

DRAWN BY: BC
REV. 19 DEC 2006
SHEET 1 OF 2

EXTERNAL INSTALLATION DATA

| AA TO: | BB TO: | CC TO: | DD TO: |
|----------------|----------------|----------------|----------------|
| AA --- | AA 25'-7 7/8" | AA 12'-3 3/8" | AA 28'-5 1/4" |
| BB --- | BB --- | BB 28'-5 1/4" | BB 12'-3 3/8" |
| CC --- | CC --- | CC --- | CC 25'-7 7/8" |
| A 12'-9 3/4" | A 25'-2 3/8" | A 3'-7 7/8" | A 22'-0" |
| B 24'-10 3/4" | B 12'-10 7/8" | B 21'-7 7/8" | B 4'-0" |
| C 7'-3 7/8" | C 22'-6 1/8" | C 7'-3 7/8" | C 22'-6 1/8" |
| D 25'-9 1/2" | D 10'-5 5/8" | D 23'-8 7/8" | D 2'-9 7/8" |
| E 23'-8 7/8" | E 2'-9 7/8" | E 25'-9 1/2" | E 10'-5 3/4" |
| F 21'-7 7/8" | F 4'-0" | F 24'-10 3/4" | F 12'-11" |
| G 3'-7 7/8" | G 22'-0" | G 12'-9 3/4" | G 25'-2 3/8" |
| H 2'-7 1/8" | H 24'-0 7/8" | H 10'-4 7/8" | H 26'-1 3/8" |
| J 3'-6 7/8" | J 24'-9 7/8" | J 8'-11 1/4" | J 26'-1 5/8" |
| K 8'-11 1/8" | K 26'-1 5/8" | K 3'-6 7/8" | K 24'-9 7/8" |
| L 10'-4 7/8" | L 26'-1 1/4" | L 2'-7 1/8" | L 24'-0 7/8" |
| SL 15'-11 3/4" | SL 9'-8 1/8" | SL 20'-1 3/4" | SL 15'-7 5/8" |
| SR 20'-1 7/8" | SR 15'-7 1/2" | SR 15'-11 7/8" | SR 9'-7 7/8" |
| DL 7'-7 1/4" | DL 18'-10 3/4" | DL 11'-7 1/2" | DL 20'-10 1/8" |
| DR 11'-7 3/8" | DR 20'-10 1/8" | DR 7'-7 3/8" | DR 18'-10 3/4" |



NOTICE

SWIMMING POOLS AND ACCESSORIES (INCLUDING DIVING BOARDS) ARE DANGEROUS WHEN IMPROPERLY USED OR INSTALLED. IT IS THE RESPONSIBILITY OF MUNICIPAL OFFICIALS, BUILDERS AND POOL OWNERS TO ADHERE TO ALL SAFETY RECOMMENDATIONS AND STANDARDS ISSUED BY THE POOL & HOT TUB COUNCIL, LOCAL AUTHORITIES AND EQUIPMENT MANUFACTURERS. PLEASE REFER TO DIVING BOARD MANUFACTURERS FOR CORRECT POSITIONING AND INSTALLATION OF DIVING EQUIPMENT.



HIGHBURY POOLS LTD

ROMAN HALF 12 x 24

DRAWING REFERENCE #
76-12-24-1

DRAWN BY: BC
REV. 19 DEC 2006
SHEET 2 OF 2