

**MISCELLANEOUS INFORMATION**

PERIMETER:	89'5"
SURFACE AREA:	494 SQ FT
VOLUME:	14596 IMP GALS 66412 LITER

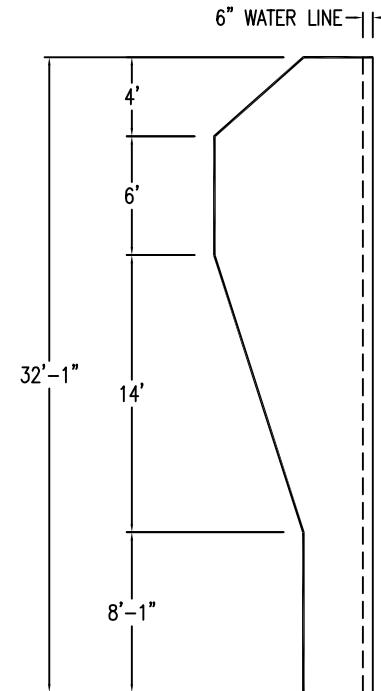
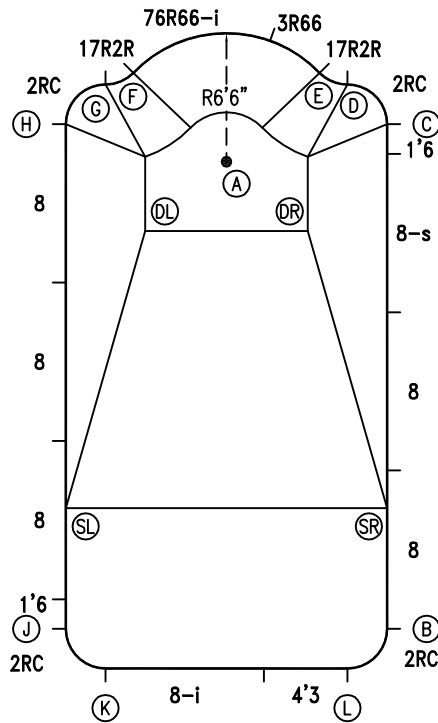
**CONCRETE DECK INFO**

WIDTH	AREA	NET INCREASES FOR:			
		STEPS	DIVING	SLIDE	ROLLER
2'	192	13	27	24	10
2'6"	243	17	31	20	10
3'	297	20	36	16	10

All Figures Represent "Sq Ft"

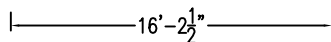
**PARTS LIST**

CODE	QTY	DESCRIPTION
2RC	4	3'2" Plain x 2' Rad Cnr
8	5	8' Plain
8-s	1	8' Skimmer
1'6	2	1'6" Plain
17R2R	2	1'7" Plain x 2' Reverse Radius
3R66	1	3' Plain x 6'6" Radius
76R66-i	1	7'6" Return x 6'6" Radius
8-i	1	8' Return
4'3	1	4'3" Plain
AF	18	A-Frame
S	36	Stakes
NB	108	Nuts & Bolts

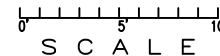


**INSTALLATION DATA**

From Point "A" to:-		From Point "B" to:-	
B	24'-11 1/4"	B	25'-6"
C	8'-3 3/4"	C	27'-6 3/4"
D	7'-3"	D	28'-3 1/2"
E	6'-5 3/4"	E	30'-10 1/4"
F	6'-5 3/4"	F	30'-11 1/2"
G	7'-3"	G	30'-2 1/2"
H	8'-3 3/4"	H	16'-2 3/4"
J	24'-11 1/4"	J	14'-4 1/4"
K	26'-3 3/4"	K	2'-9 3/4"
L	26'-3 3/4"	L	17'-3 3/4"
SL	19'-3 1/2"	SR	6'-1"
SR	19'-3 1/2"	DL	23'-6 1/4"
DL	5'-4 3/4"	DR	20'-5 3/4"
DR	5'-4 3/4"		



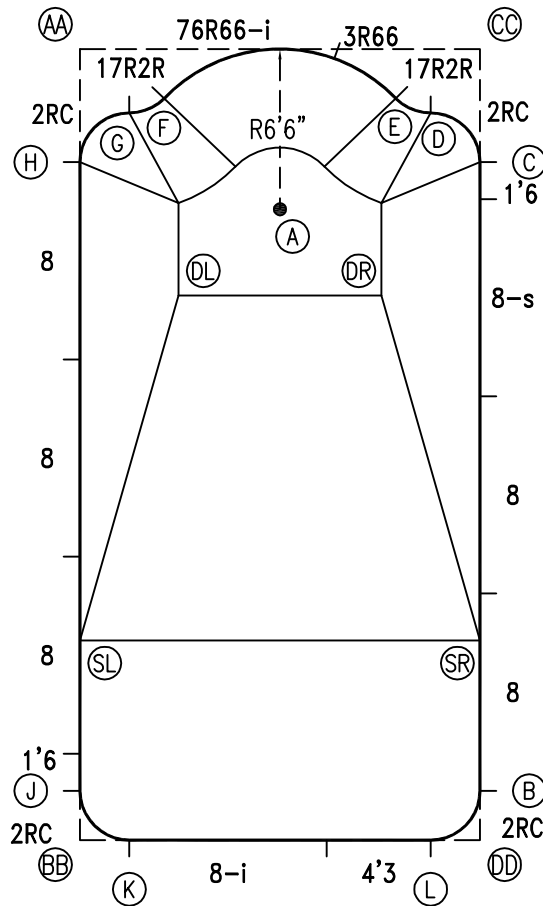
\*ALL DIMENSIONS ARE FINISHED



**NOTICE**

SWIMMING POOLS AND ACCESSORIES (INCLUDING DIVING BOARDS) ARE DANGEROUS WHEN IMPROPERLY USED OR INSTALLED. IT IS THE RESPONSIBILITY OF MUNICIPAL OFFICIALS, BUILDERS AND POOL OWNERS TO ADHERE TO ALL SAFETY RECOMMENDATIONS AND STANDARDS ISSUED BY THE POOL & HOT TUB COUNCIL, LOCAL AUTHORITIES AND EQUIPMENT MANUFACTURERS. PLEASE REFER TO DIVING BOARD MANUFACTURERS FOR CORRECT POSITIONING AND INSTALLATION OF DIVING EQUIPMENT.

PERIMETER: 89'5"



EXTERNAL INSTALLATION DATA

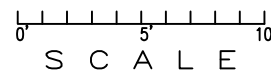
AA TO:	BB TO:	CC TO:	DD TO:
AA --	AA 32'-1"	AA 16'-2 3/4"	AA 35'-11 1/2"
BB --	BB --	BB 35'-11 1/2"	BB 16'-2 3/4"
CC --	CC --	CC --	CC 32'-1"
A 10'-4 3/4"	A 26'-10"	A 10'-4 3/4"	A 26'-10"
B 34'-2 1/4"	B 16'-4"	B 30'-1"	B 2'-0"
C 16'-10 1/4"	C 31'-11"	C 4'-7"	C 27'-6"
D 14'-5 1/2"	D 32'-9"	D 3'-3 1/4"	D 29'-6 3/4"
E 12'-11 1/2"	E 32'-8 1/4"	E 3'-11 1/2"	E 30'-3 1/4"
F 3'-11 1/2"	F 30'-3 1/4"	F 12'-11 1/2"	F 32'-8 1/4"
G 3'-3 1/4"	G 29'-6 3/4"	G 14'-5 1/2"	G 32'-9"
H 4'-7"	H 27'-6"	H 16'-10 1/4"	H 31'-11"
J 30'-1"	J 2'-0"	J 34'-2 1/4"	J 16'-4"
K 32'-1 3/4"	K 2'-0"	K 35'-1 1/4"	K 14'-2 3/4"
L 35'-1 1/4"	L 14'-2 3/4"	L 32'-1 3/4"	L 2'-0"
SL 24'-0"	SL 8'-1"	SL 28'-11 1/2"	SL 18'-1 1/2"
SR 28'-11 1/2"	SR 18'-1 1/2"	SR 24'-0"	SR 8'-1"
DL 10'-9 1/4"	DL 22'-5 1/4"	DL 15'-9 1/2"	DL 25'-2 3/4"
DR 15'-9 1/2"	DR 25'-2 3/4"	DR 10'-9 1/4"	DR 22'-5 1/4"

DIAGONALS

From Point "B" to:-	From Point "C" to:-
C 25'-6"	C
D 27'-6 7/8"	D 2'-9 7/8"
E 28'-3 1/2"	E 4'-3 3/8"
F 30'-10 3/8"	F 13'-0 7/8"
G 30'-11 1/2"	G 14'-4 3/8"
H 30'-2 5/8"	H 16'-2 3/4"
J 16'-2 3/4"	J 30'-2 5/8"
K 14'-4 3/8"	K 30'-11 1/2"
L 2'-9 7/8"	L 27'-6 7/8"

NOTICE

SWIMMING POOLS AND ACCESSORIES (INCLUDING DIVING BOARDS) ARE DANGEROUS WHEN IMPROPERLY USED OR INSTALLED. IT IS THE RESPONSIBILITY OF MUNICIPAL OFFICIALS, BUILDERS AND POOL OWNERS TO ADHERE TO ALL SAFETY RECOMMENDATIONS AND STANDARDS ISSUED BY THE POOL & HOT TUB COUNCIL, LOCAL AUTHORITIES AND EQUIPMENT MANUFACTURERS. PLEASE REFER TO DIVING BOARD MANUFACTURERS FOR CORRECT POSITIONING AND INSTALLATION OF DIVING EQUIPMENT.



HIGHBURY POOLS LTD

ROMAN HALF - 16 x 32

DRAWING REFERENCE #  
76-16-32-1

DRAWN BY: JK  
REV. 2 AUG 13  
SHEET 2 OF 2