

MISCELLANEOUS INFORMATION

PERIMETER:	111'5"
SURFACE AREA:	749 SQ FT
VOLUME:	21822 IMP GALS 99290 LITER

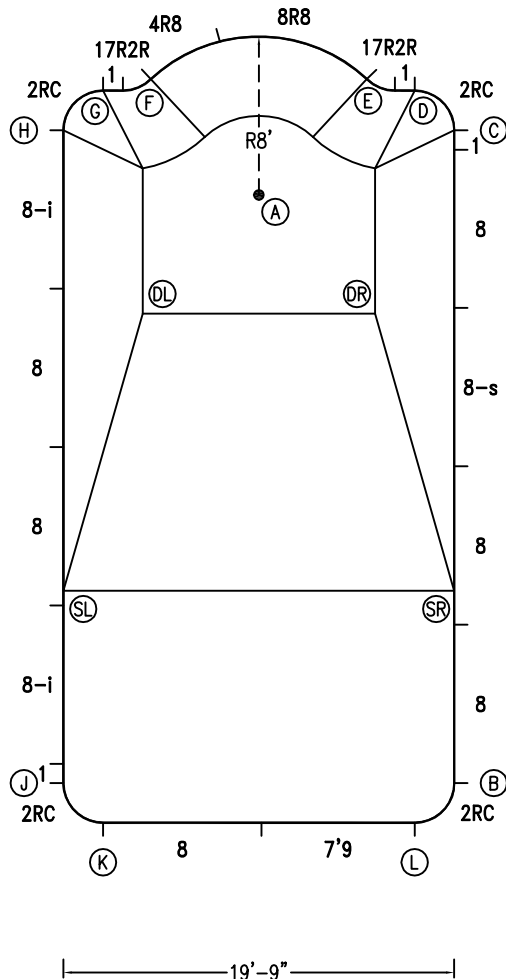
CONCRETE DECK INFO

WIDTH	AREA	NET INCREASES FOR:			
		STEPS	DIVING	SLIDE	ROLLER
2'	236	13	27	24	10
2'6"	0	17	31	20	10
3'	0	20	36	16	10

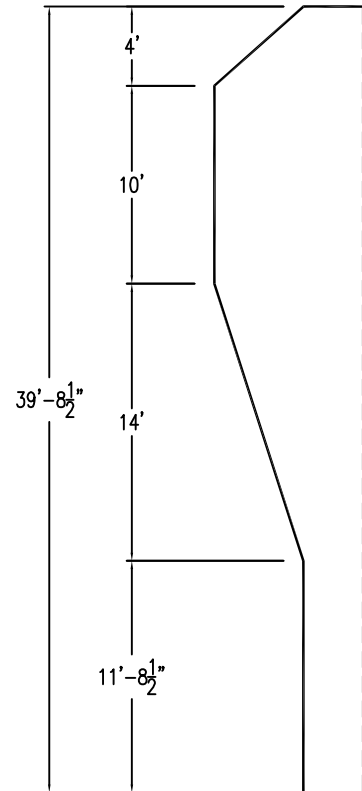
All Figures Represent "Sq Ft"

PARTS LIST

CODE	QTY	DESCRIPTION
2RC	4	3'2" Plain x 2' Rad Cnr
8	6	8' Plain
8-s	1	8' Skimmer
1	4	1' Plain
17R2R	2	1'7" Plain x 2' Reverse Radius
8R8	1	8' Plain x 8' Radius
4R8	1	4' Plain x 8' Radius
8-i	2	8' Return
7'g	1	7'9" Plain
AF	22	A-Frame
S	44	Stakes
NB	132	Nuts & Bolts



6" WATER LINE



INSTALLATION DATA

From Point "A" to:-		From Point "B" to:-	
B	31'-3 3/4"	B	32'-11 3/4"
C	10'-4 3/4"	C	35'-0 1/4"
D	9'-5 1/2"	D	35'-10"
E	8'-0"	E	35'-10"
F	8'-0"	F	38'-8 3/4"
G	9'-5 1/2"	G	39'-2 1/2"
H	10'-4 3/4"	H	38'-5 1/4"
J	31'-3 3/4"	J	19'-8 3/4"
K	32'-8"	K	17'-10 1/4"
L	32'-8"	L	2'-9 3/4"
SL	22'-3 1/2"	SL	22'-0"
SR	22'-3 1/2"	SR	9'-8 1/2"
DL	8'-4 3/4"	DL	28'-5 1/2"
DR	8'-4 3/4"	DR	24'-0 1/2"

NOTICE

SWIMMING POOLS AND ACCESSORIES (INCLUDING DIVING BOARDS) ARE DANGEROUS WHEN IMPROPERLY USED OR INSTALLED. IT IS THE RESPONSIBILITY OF MUNICIPAL OFFICIALS, BUILDERS AND POOL OWNERS TO ADHERE TO ALL SAFETY RECOMMENDATIONS AND STANDARDS ISSUED BY THE POOL & HOT TUB COUNCIL, LOCAL AUTHORITIES AND EQUIPMENT MANUFACTURERS. PLEASE REFER TO DIVING BOARD MANUFACTURERS FOR CORRECT POSITIONING AND INSTALLATION OF DIVING EQUIPMENT.

*ALL DIMENSIONS ARE FINISHED

