

MISCELLANEOUS INFORMATION

| | |
|---------------|-----------------------|
| PERIMETER:- | 64'-10 1/2" |
| SURFACE AREA: | 270.0 SQ FT |
| VOLUME: | 6989 IMP GALS 31800 L |

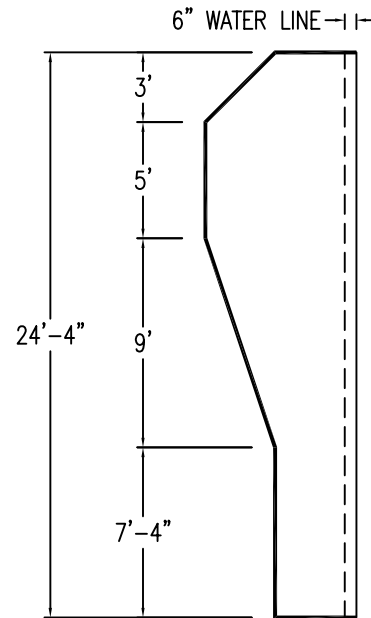
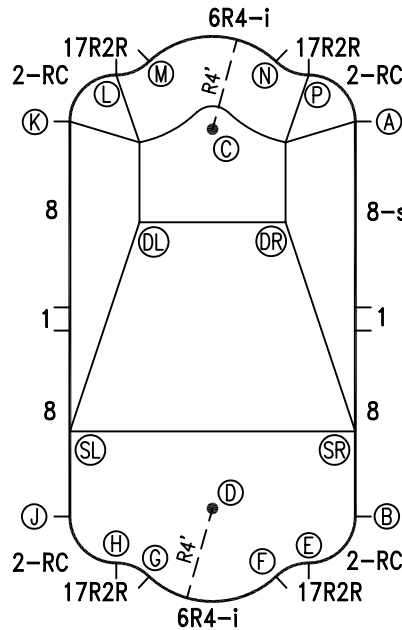
CONCRETE DECK INFO

| WIDTH | AREA | NET INCREASES FOR: | | | |
|-------|------|--------------------|--------|-------|--------|
| | | STEPS | DIVING | SLIDE | ROLLER |
| 2' | 152 | 13 | 27 | 24 | 10 |
| 2'6" | 182 | 17 | 31 | 20 | 10 |
| 3' | 223 | 20 | 36 | 16 | 10 |

All Figures Represent "Sq Ft"

PARTS LIST

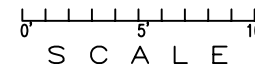
| CODE | QTY | DESCRIPTION |
|-------|-----|-----------------------------|
| 8-s | 1 | 8' Skim |
| 6R4-i | 2 | 6' Return x 4' Rad |
| 8 | 3 | 8' Plain |
| 1 | 2 | 1' Plain |
| 2-RC | 4 | 3'2 Plain x 2' Rad Corner |
| 17R2R | 4 | 1'7" Plain x 2' Reverse Rad |
| AF | 16 | A-Frame |
| S | 32 | Stake |
| NB | 96 | Nuts & Bolts |



INSTALLATION DATA

| From Point "A" to:- | | From Point "B" to:- | |
|---------------------|-------------|---------------------|-------------|
| B | 17'-0" | B | 17'-9 1/8" |
| C | 6'-1 7/8" | C | 17'-9 1/8" |
| D | 17'-9 1/8" | D | 6'-1 7/8" |
| E | 19'-1 1/4" | E | 2'-9 7/8" |
| F | 19'-10 5/8" | F | 4'-3 3/8" |
| G | 21'-6" | G | 9'-2 7/8" |
| H | 21'-7 1/4" | H | 10'-5 3/4" |
| J | 20'-11 5/8" | J | 12'-3 3/8" |
| K | 12'-3 3/8" | K | 20'-11 5/8" |
| L | 10'-5 3/4" | L | 21'-7 1/4" |
| M | 9'-2 7/8" | M | 21'-6" |
| N | 4'-3 3/8" | N | 19'-10 5/8" |
| P | 2'-9 5/8" | P | 19'-1 1/4" |
| SL | 18'-1 5/8" | SL | 12'-9 3/4" |
| SR | 13'-4 1/8" | SR | 3'-7 7/8" |
| DL | 10'-2 7/8" | DL | 15'-8 3/8" |
| DR | 5'-3 1/4" | DR | 13'-0 1/8" |

*ALL DIMENSIONS ARE FINISHED

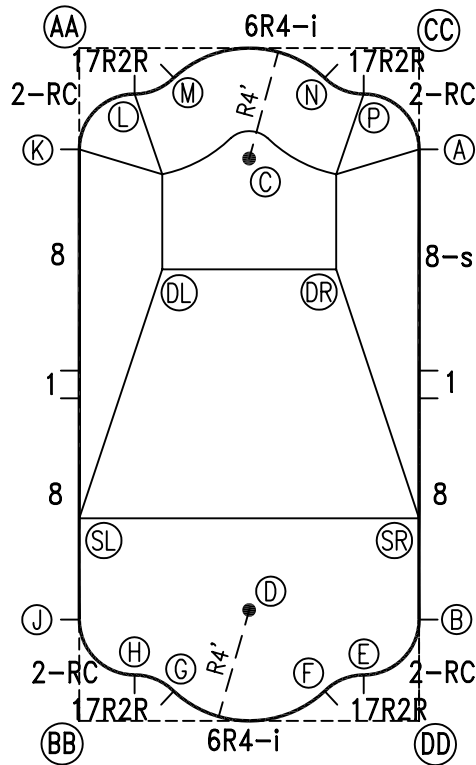


NOTICE

SWIMMING POOLS AND ACCESSORIES (INCLUDING DIVING BOARDS) ARE DANGEROUS WHEN IMPROPERLY USED OR INSTALLED. IT IS THE RESPONSIBILITY OF MUNICIPAL OFFICIALS, BUILDERS AND POOL OWNERS TO ADHERE TO ALL SAFETY RECOMMENDATIONS AND STANDARDS ISSUED BY THE POOL & HOT TUB COUNCIL, LOCAL AUTHORITIES AND EQUIPMENT MANUFACTURERS. PLEASE REFER TO DIVING BOARD MANUFACTURERS FOR CORRECT POSITIONING AND INSTALLATION OF DIVING EQUIPMENT.

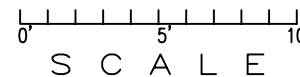
EXTERNAL INSTALLATION DATA

| AA TO: | | BB TO: | | CC TO: | | DD TO: | |
|--------|-------------|--------|-------------|--------|-------------|--------|-------------|
| AA | -- | AA | 24'-3 7/8" | AA | 12'-3 3/8" | AA | 27'-2 7/8" |
| BB | -- | BB | -- | BB | 27'-2 7/8" | BB | 12'-3 3/8" |
| CC | -- | CC | -- | CC | -- | CC | 24'-3 7/8" |
| A | 12'-9 3/4" | A | 24'-0 3/8" | A | 3'-7 7/8" | A | 20'-7 7/8" |
| B | 24'-0 3/8" | B | 12'-9 3/4" | B | 20'-7 7/8" | B | 3'-7 7/8" |
| C | 7'-3 7/8" | C | 21'-2 3/4" | C | 7'-3 7/8" | C | 21'-2 3/4" |
| D | 21'-2 3/4" | D | 7'-3 7/8" | D | 21'-2 3/4" | D | 7'-3 7/8" |
| E | 24'-10 5/8" | E | 10'-5" | E | 22'-8 7/8" | E | 2'-7 1/4" |
| F | 24'-10 5/8" | F | 8'-11 1/4" | F | 23'-5 7/8" | F | 3'-6 7/8" |
| G | 23'-5 7/8" | G | 3'-6 7/8" | G | 24'-10 5/8" | G | 8'-11 1/4" |
| H | 22'-8 7/8" | H | 2'-7 1/4" | H | 24'-10 5/8" | H | 10'-5" |
| J | 20'-7 7/8" | J | 3'-7 7/8" | J | 24'-0 3/8" | J | 12'-9 3/4" |
| K | 3'-7 7/8" | K | 20'-7 7/8" | K | 12'-9 3/4" | K | 24'-0 3/8" |
| L | 2'-7 1/4" | L | 22'-8 7/8" | L | 10'-5" | L | 24'-10 5/8" |
| M | 3'-6 7/8" | M | 23'-5 7/8" | M | 8'-11 1/4" | M | 24'-10 5/8" |
| N | 8'-11 1/4" | N | 24'-10 5/8" | N | 3'-6 7/8" | N | 23'-5 7/8" |
| P | 10'-5" | P | 24'-10 5/8" | P | 2'-7 1/4" | P | 22'-8 7/8" |
| SL | 17'-0" | SL | 7'-3 7/8" | SL | 20'-11 5/8" | SL | 14'-3 5/8" |
| SR | 20'-11 5/8" | SR | 14'-3 5/8" | SR | 17'-0" | SR | 7'-3 7/8" |
| DL | 8'-6 1/2" | DL | 16'-7 1/8" | DL | 12'-3 1/8" | DL | 18'-9 3/8" |
| DR | 12'-3 1/8" | DR | 18'-9 3/8" | DR | 8'-6 1/2" | DR | 16'-7 1/8" |



NOTICE

SWIMMING POOLS AND ACCESSORIES (INCLUDING DIVING BOARDS) ARE DANGEROUS WHEN IMPROPERLY USED OR INSTALLED. IT IS THE RESPONSIBILITY OF MUNICIPAL OFFICIALS, BUILDERS AND POOL OWNERS TO ADHERE TO ALL SAFETY RECOMMENDATIONS AND STANDARDS ISSUED BY THE POOL & HOT TUB COUNCIL, LOCAL AUTHORITIES AND EQUIPMENT MANUFACTURERS. PLEASE REFER TO DIVING BOARD MANUFACTURERS FOR CORRECT POSITIONING AND INSTALLATION OF DIVING EQUIPMENT.



HIGHBURY POOLS LTD

ROMAN

12 x 24

DRAWING REFERENCE #
75-12-24-1

DRAWN BY: BC
REV. 19 DEC 2006
SHEET 2 OF 2