

MISCELLANEOUS INFORMATION

PERIMETER:-	75'
SURFACE AREA:	356.9 SQ FT
VOLUME:	9860 IMP GALS 44863 L

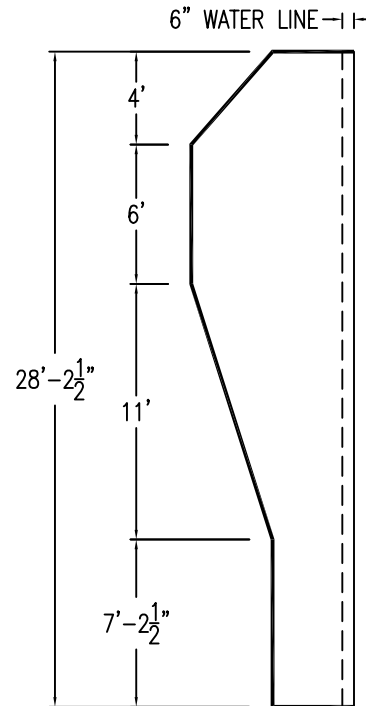
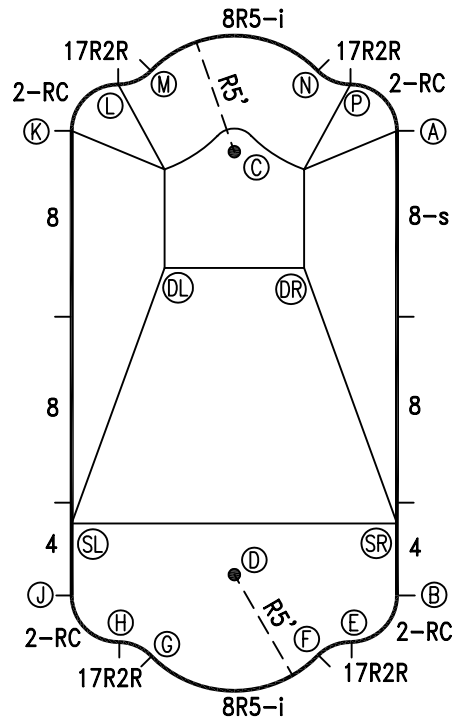
CONCRETE DECK INFO

WIDTH	AREA	NET INCREASES FOR:			
		STEPS	DIVING	SLIDE	ROLLER
2'	162	13	27	24	10
2'6"	207	17	31	20	10
3'	253	20	36	16	10

All Figures Represent "Sq Ft"

PARTS LIST

CODE	QTY	DESCRIPTION
8-s	1	8' Skim
8R5-i	2	8' Return x 5' Rad
8	3	8' Plain
4	2	4' Plain
2-RC	4	3'2" Plain x 2' Rad
17R2R	4	1'7" Plain x 2' Reverse Rad
AF	16	A-Frame
S	32	Stake
NB	96	Nuts & Bolts



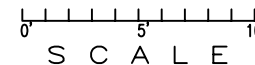
INSTALLATION DATA

From Point "A" to:-		From Point "B" to:-	
B	20'-0"	B	20'-4 1/8"
C	7'-0 5/8"	C	7'-0 5/8"
D	20'-4 1/8"	D	7'-0 5/8"
E	22'-1"	E	2'-9 1/2"
F	22'-9 7/8"	F	4'-2 7/8"
G	24'-11"	G	10'-10 1/8"
H	25'-0 3/8"	H	12'-1 3/8"
J	24'-4 7/8"	J	14'-0"
K	14'-0 5/8"	K	24'-5 1/4"
L	12'-1 7/8"	L	25'-0 3/4"
M	10'-10 3/4"	M	24'-11 1/4"
N	4'-3 3/8"	N	22'-10 1/8"
P	2'-9 7/8"	P	22'-1 1/8"
SL	21'-11 3/8"	SL	14'-4"
SR	16'-10 3/4"	SR	3'-1 1/4"
DL	11'-7 3/8"	DL	17'-3 3/8"
DR	7'-1 1/2"	DR	14'-7 7/8"

NOTICE

SWIMMING POOLS AND ACCESSORIES (INCLUDING DIVING BOARDS) ARE DANGEROUS WHEN IMPROPERLY USED OR INSTALLED. IT IS THE RESPONSIBILITY OF MUNICIPAL OFFICIALS, BUILDERS AND POOL OWNERS TO ADHERE TO ALL SAFETY RECOMMENDATIONS AND STANDARDS ISSUED BY THE POOL & HOT TUB COUNCIL, LOCAL AUTHORITIES AND EQUIPMENT MANUFACTURERS. PLEASE REFER TO DIVING BOARD MANUFACTURERS FOR CORRECT POSITIONING AND INSTALLATION OF DIVING EQUIPMENT.

*ALL DIMENSIONS ARE FINISHED



HIGHBURY POOLS LTD

ROMAN

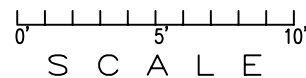
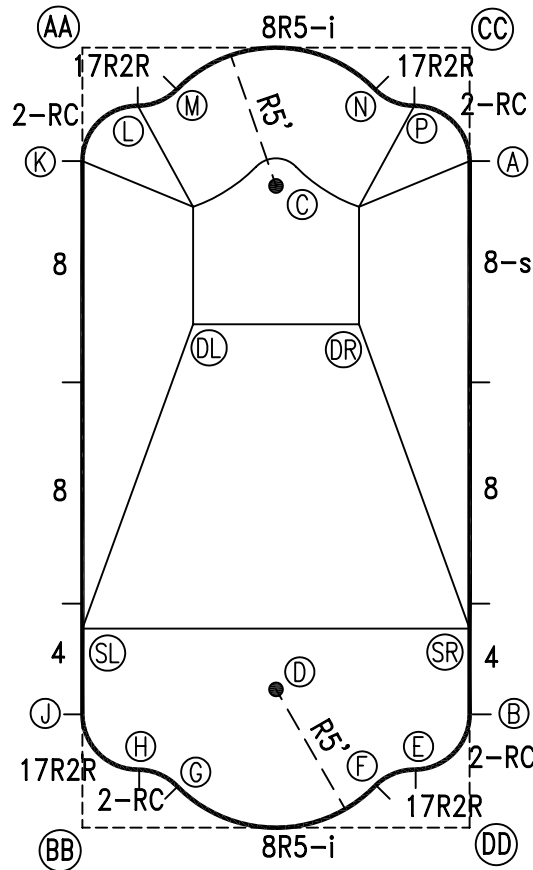
14 x 28

DRAWING REFERENCE #
75-14-28-1

DRAWN BY: BC
REV. 19 DEC 2006
SHEET 1 OF 2

EXTERNAL INSTALLATION DATA

AA TO:	BB TO:	CC TO:	DD TO:
AA ---	AA 28'-2 3/8"	AA 14'-0"	AA 31'-5 3/4"
BB ---	BB ---	BB 31'-5 7/8"	BB 14'-0"
CC ---	CC ---	CC ---	CC 28'-2 3/8"
A 14'-7"	A 27'-10 1/2"	A 4'-1 1/4"	A 24'-1 1/4"
B 27'-10 1/2"	B 14'-7 1/8"	B 24'-1 1/4"	B 4'-1 1/4"
C 8'-7 1/4"	C 24'-2 3/4"	C 8'-7 1/4"	C 24'-2 3/4"
D 24'-2 3/4"	D 8'-7 1/4"	D 24'-2 3/4"	D 8'-7 1/4"
E 28'-8 7/8"	E 12'-2 3/4"	E 26'-2"	E 2'-10 3/8"
F 28'-8 3/4"	F 10'-8 7/8"	F 26'-10 3/4"	F 3'-8 1/4"
G 26'-10 7/8"	G 3'-9 3/8"	G 28'-8 1/4"	G 10'-7 3/4"
H 26'-2 1/8"	H 2'-10 7/8"	H 28'-8 3/4"	H 12'-2 1/8"
J 24'-1 1/4"	J 4'-1 1/4"	J 27'-10 1/2"	J 14'-7"
K 4'-1 1/4"	K 24'-1 1/4"	K 14'-7 5/8"	K 27'-10 3/4"
L 2'-10 3/4"	L 26'-2 1/8"	L 12'-2 1/8"	L 28'-8 3/4"
M 3'-8 7/8"	M 26'-10 7/8"	M 10'-8 1/4"	M 28'-8 1/2"
N 10'-8 1/4"	N 28'-8 1/2"	N 3'-8 7/8"	N 26'-10 7/8"
P 12'-2 1/8"	P 28'-8 3/4"	P 2'-10 3/4"	P 26'-2 1/8"
SL 21'-0"	SL 7'-2 3/8"	SL 25'-2 7/8"	SL 15'-8 7/8"
SR 25'-2 7/8"	SR 15'-8 7/8"	SR 21'-0"	SR 7'-2 3/8"
DL 10'-9 1/4"	DL 18'-7 5/8"	DL 14'-1 3/4"	DL 20'-9 1/8"
DR 14'-1 3/4"	DR 20'-9 1/4"	DR 10'-9 1/4"	DR 18'-7 5/8"



NOTICE

SWIMMING POOLS AND ACCESSORIES (INCLUDING DIVING BOARDS) ARE DANGEROUS WHEN IMPROPERLY USED OR INSTALLED. IT IS THE RESPONSIBILITY OF MUNICIPAL OFFICIALS, BUILDERS AND POOL OWNERS TO ADHERE TO ALL SAFETY RECOMMENDATIONS AND STANDARDS ISSUED BY THE POOL & HOT TUB COUNCIL, LOCAL AUTHORITIES AND EQUIPMENT MANUFACTURERS. PLEASE REFER TO DIVING BOARD MANUFACTURERS FOR CORRECT POSITIONING AND INSTALLATION OF DIVING EQUIPMENT.

HIGHBURY POOLS LTD

ROMAN 14 x 28

DRAWING REFERENCE #
75-14-28-1

DRAWN BY: BC
REV. 19 DEC 2006
SHEET 2 OF 2