

MISCELLANEOUS INFORMATION

PERIMETER:	108'10"
SURFACE AREA:	733 SQ FT
VOLUME:	21523 IMP GALS 97930 LITER

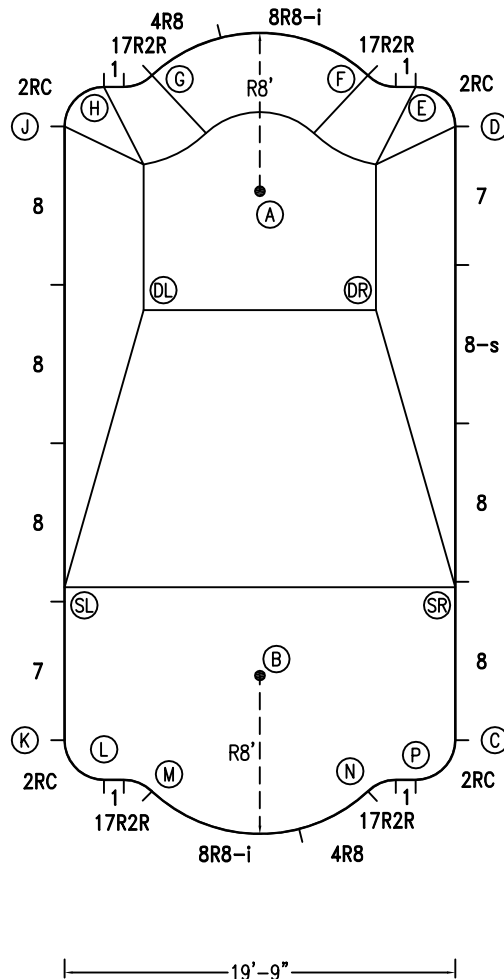
CONCRETE DECK INFO

WIDTH	AREA	NET INCREASES FOR:			
		STEPS	DIVING	SLIDE	ROLLER
2'	231	13	27	24	10
2'6"	0	17	31	20	10
3'	0	20	36	16	10

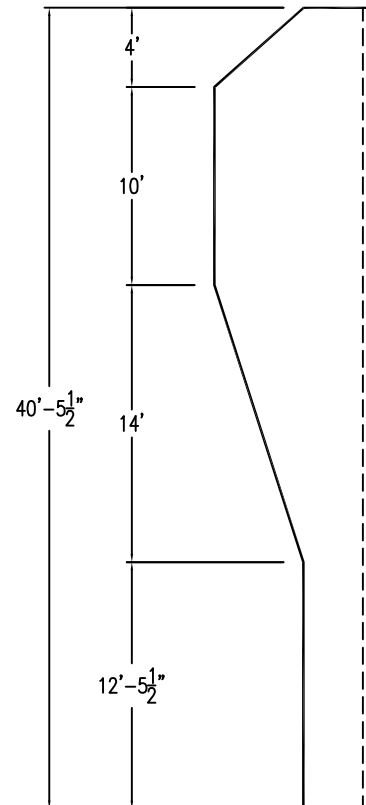
All Figures Represent "Sq Ft"

PARTS LIST

CODE	QTY	DESCRIPTION
2RC	4	3'2" Plain x 2' Rad Cnr
8	5	8' Plain
8-s	1	8' Skimmer
7	2	7' Plain
1	4	1' Plain
17R2R	4	1'7" Plain x 2' Reverse Radius
8R8-i	2	8' Return x 8' Radius
4R8	2	4' Plain x 8' Radius
AF	24	A-Frame
S	48	Stakes
NB	144	Nuts & Bolts



6" WATER LINE



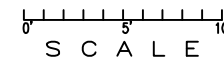
INSTALLATION DATA

From Point "A" to:-		From Point "B" to:-	
B	24'-5 1/2"	B	10'-4 3/4"
C	29'-5 1/4"	C	10'-4 3/4"
D	10'-4 3/4"	D	29'-5 1/4"
E	9'-5 1/2"	E	30'-9"
F	8'-0"	F	30'-9 1/2"
G	8'-0"	G	30'-9 1/2"
H	9'-5 1/2"	H	30'-9"
J	10'-4 3/4"	J	29'-5 1/4"
K	29'-5 1/4"	K	10'-4 3/4"
L	30'-9"	L	9'-5 1/2"
M	30'-9 1/2"	M	8'-0"
N	30'-9 1/2"	N	8'-0"
P	30'-9"	P	9'-5 1/2"
SL	22'-3 1/2"	SL	10'-10"
SR	22'-3 1/2"	SR	10'-10"
DL	8'-4 3/4"	DL	19'-4 1/2"
DR	8'-4 3/4"	DR	19'-4 1/2"

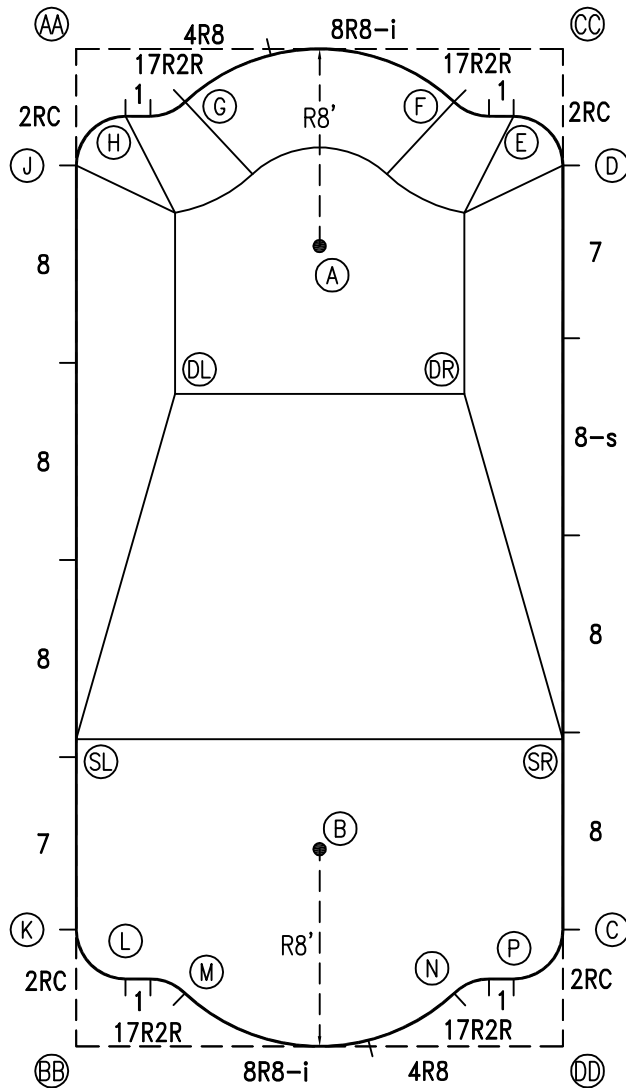
NOTICE

SWIMMING POOLS AND ACCESSORIES (INCLUDING DIVING BOARDS) ARE DANGEROUS WHEN IMPROPERLY USED OR INSTALLED. IT IS THE RESPONSIBILITY OF MUNICIPAL OFFICIALS, BUILDERS AND POOL OWNERS TO ADHERE TO ALL SAFETY RECOMMENDATIONS AND STANDARDS ISSUED BY THE POOL & HOT TUB COUNCIL, LOCAL AUTHORITIES AND EQUIPMENT MANUFACTURERS. PLEASE REFER TO DIVING BOARD MANUFACTURERS FOR CORRECT POSITIONING AND INSTALLATION OF DIVING EQUIPMENT.

*ALL DIMENSIONS ARE FINISHED



PERIMETER: 108'10"

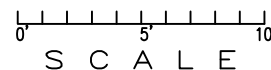


EXTERNAL INSTALLATION DATA

AA TO:	BB TO:	CC TO:	DD TO:
AA ---	AA 40'-5 1/2"	AA 19'-8 3/4"	AA 45'-0 1/4"
BB ---	BB ---	BB 45'-0 1/4"	BB 19'-8 3/4"
CC ---	CC ---	CC ---	CC 40'-5 1/2"
A 12'-8 1/2"	A 33'-11 1/4"	A 12'-8 1/2"	A 33'-11 1/4"
B 33'-11 1/4"	B 12'-8 1/2"	B 33'-11 1/4"	B 12'-8 1/2"
C 40'-9 3/4"	C 20'-3 1/2"	C 35'-8 3/4"	C 4'-8 3/4"
D 20'-3 1/2"	D 40'-9 3/4"	D 4'-8 3/4"	D 35'-8 3/4"
E 17'-11 1/4"	E 41'-8 1/4"	E 3'-4 1/2"	E 37'-9 1/2"
F 15'-5 3/4"	F 41'-3 1/4"	F 4'-10 3/4"	F 38'-6 3/4"
G 4'-10 3/4"	G 38'-6 3/4"	G 15'-5 3/4"	G 41'-3 1/4"
H 3'-4 1/2"	H 37'-9 1/2"	H 17'-11 1/4"	H 41'-8 1/4"
J 4'-8 3/4"	J 35'-8 3/4"	J 20'-3 1/2"	J 40'-9 3/4"
K 35'-8 3/4"	K 4'-8 3/4"	K 40'-9 3/4"	K 20'-3 1/2"
L 37'-9 1/2"	L 3'-4 1/2"	L 41'-8 1/4"	L 17'-11 1/4"
M 38'-6 3/4"	M 4'-10 3/4"	M 41'-3 1/4"	M 15'-5 3/4"
N 41'-3 1/4"	N 15'-5 3/4"	N 38'-6 3/4"	N 4'-10 3/4"
P 41'-8 1/4"	P 17'-11 1/4"	P 37'-9 1/2"	P 3'-4 1/2"
SL 28'-0"	SL 12'-5 1/2"	SL 34'-3"	SL 23'-4"
SR 34'-3"	SR 23'-4"	SR 28'-0"	SR 12'-5 1/2"
DL 14'-6 3/4"	DL 26'-9 1/4"	DL 21'-0 3/4"	DL 30'-9 1/2"
DR 21'-0 3/4"	DR 30'-9 1/2"	DR 14'-6 3/4"	DR 26'-9 1/4"

DIAGONALS

From Point "C" to:-	From Point "D" to:-
D 31'-0"	D
E 33'-0 3/4"	E 2'-9 7/8"
F 33'-10 1/2"	F 5'-1 3/8"
G 36'-11"	G 15'-6 1/2"
H 37'-5 5/8"	H 17'-10 1/4"
J 36'-9"	J 19'-8 7/8"
K 19'-8 7/8"	K 36'-9"
L 17'-10 1/4"	L 37'-5 5/8"
M 15'-6 1/2"	M 36'-11"
N 5'-1 3/8"	N 33'-10 1/2"
P 2'-9 7/8"	P 33'-0 3/4"



NOTICE

SWIMMING POOLS AND ACCESSORIES (INCLUDING DIVING BOARDS) ARE DANGEROUS WHEN IMPROPERLY USED OR INSTALLED. IT IS THE RESPONSIBILITY OF MUNICIPAL OFFICIALS, BUILDERS AND POOL OWNERS TO ADHERE TO ALL SAFETY RECOMMENDATIONS AND STANDARDS ISSUED BY THE POOL & HOT TUB COUNCIL, LOCAL AUTHORITIES AND EQUIPMENT MANUFACTURERS. PLEASE REFER TO DIVING BOARD MANUFACTURERS FOR CORRECT POSITIONING AND INSTALLATION OF DIVING EQUIPMENT.

HIGHBURY POOLS LTD

ROMAN - 20 x 40

DRAWING REFERENCE #
75-20-40-1

DRAWN BY: JK
REV. 2 AUG 13
SHEET 2 OF 2