

MISCELLANEOUS INFORMATION

PERIMETER:	93'6"
SURFACE AREA:	557 SQ FT
VOLUME:	16951 IMP GALS 77127 LITER

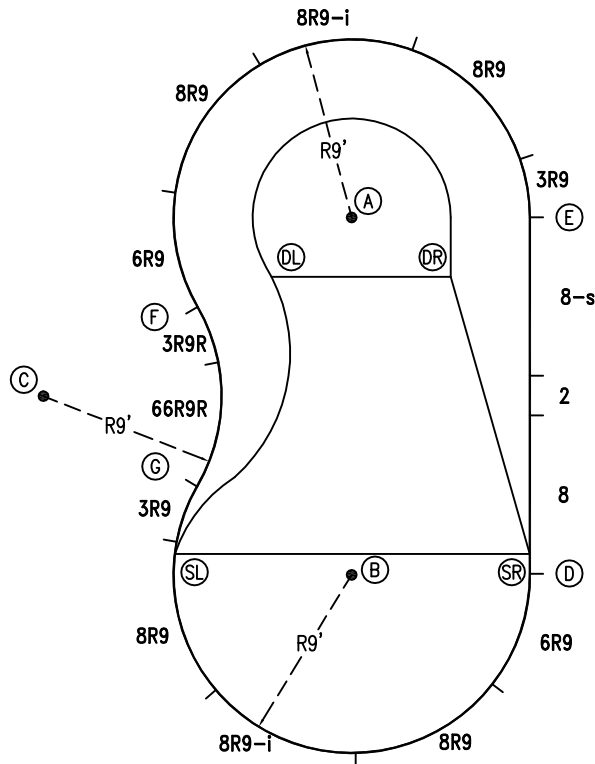
CONCRETE DECK INFO

WIDTH	AREA	NET INCREASES FOR:			
		STEPS	DIVING	SLIDE	ROLLER
2'	200	13	27	24	10
2'6"	254	17	31	20	10
3'	309	20	36	16	10

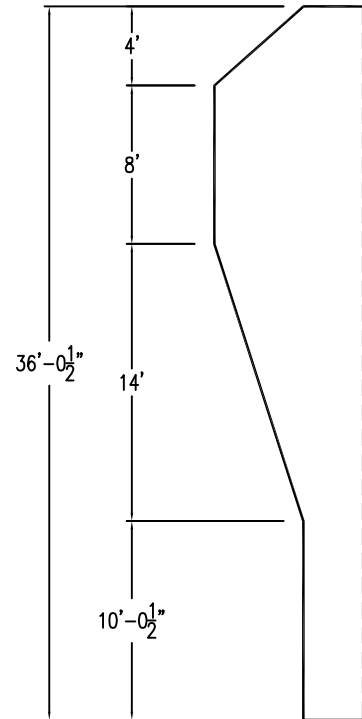
All Figures Represent "Sq Ft"

PARTS LIST

CODE	QTY	DESCRIPTION
3R9	2	3' Plain x 9' Radius
8R9	4	8' Plain x 9' Radius
8R9-i	2	8' Return x 9' Radius
6R9	2	6' Plain x 9' Radius
8	1	8' Plain
2	1	2' Plain
8-s	1	8' Skimmer
3R9R	1	3' Plain x 9' Reverse Radius
66R9R	1	6'6" Plain x 9' Reverse Radius
AF	15	A-Frame
S	30	Stakes
NB	90	Nuts & Bolts

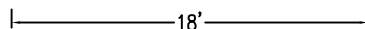


6" WATER LINE



INSTALLATION DATA

From Point "A" to:-		From Point "B" to:-	
B	18'-0 1/2"	B	18'-0"
C	18'-0"	C	18'-0"
D	20'-1 1/4"	D	9'-0"
E	9'-0"	E	20'-2"
F	9'-0"	F	15'-7 1/4"
G	15'-8"	G	9'-0"
SL	19'-2 1/2"	SL	9'-0"
SR	19'-2 3/4"	SR	9'-0 3/4"
DL	5'-0 1/2"	DL	15'-7"
DR	5'-9 3/4"	DR	15'-10 1/4"



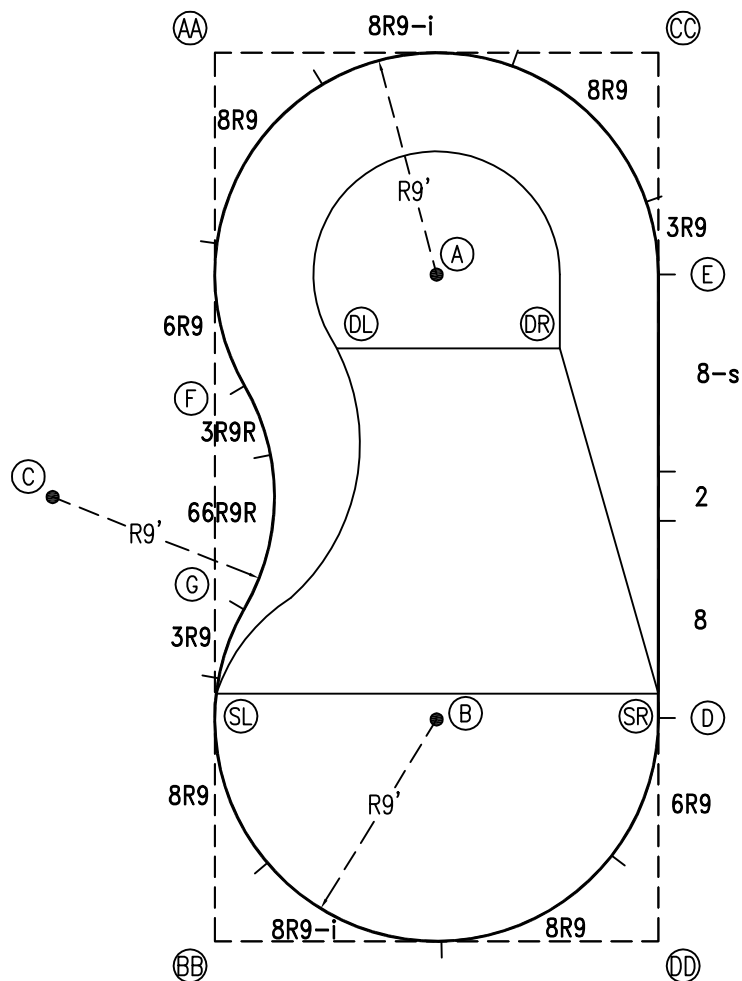
*ALL DIMENSIONS ARE FINISHED



NOTICE

SWIMMING POOLS AND ACCESSORIES (INCLUDING DIVING BOARDS) ARE DANGEROUS WHEN IMPROPERLY USED OR INSTALLED. IT IS THE RESPONSIBILITY OF MUNICIPAL OFFICIALS, BUILDERS AND POOL OWNERS TO ADHERE TO ALL SAFETY RECOMMENDATIONS AND STANDARDS ISSUED BY THE POOL & HOT TUB COUNCIL, LOCAL AUTHORITIES AND EQUIPMENT MANUFACTURERS. PLEASE REFER TO DIVING BOARD MANUFACTURERS FOR CORRECT POSITIONING AND INSTALLATION OF DIVING EQUIPMENT.

PERIMETER: 93'6"



EXTERNAL INSTALLATION DATA

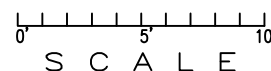
AA TO:	BB TO:	CC TO:	DD TO:
AA ---	AA 36'-0 1/2"	AA 18'-0"	AA 40'-3 1/2"
BB ---	BB ---	BB 40'-3 1/2"	BB 18'-0"
CC ---	CC ---	CC ---	CC 36'-0 1/2"
A 12'-8 3/4"	A 28'-6"	A 12'-8 3/4"	A 28'-6"
B 28'-6"	B 12'-8 3/4"	B 28'-6"	B 12'-8 3/4"
C 19'-2 1/4"	C 19'-2 1/4"	C 30'-5 3/4"	C 30'-5 3/4"
D 32'-5 1/4"	D 20'-1 3/4"	D 26'-11 3/4"	D 9'-0 1/2"
E 20'-1 1/2"	E 32'-5 3/4"	E 8'-11 3/4"	E 27'-0 1/2"
F 13'-6 3/4"	F 22'-6 3/4"	F 21'-6 1/2"	F 28'-1"
G 22'-7 1/4"	G 13'-6 1/4"	G 28'-1 3/4"	G 21'-6 1/2"
SL 26'-0"	SL 10'-0 1/2"	SL 31'-7"	SL 20'-6 3/4"
SR 31'-7 1/2"	SR 20'-7 1/4"	SR 26'-0"	SR 10'-0 1/2"
DL 12'-11 3/4"	DL 24'-6 1/2"	DL 17'-8 3/4"	DL 27'-4 1/4"
DR 18'-5 1/4"	DR 27'-9 3/4"	DR 12'-7 3/4"	DR 24'-4 1/2"

DIAGONALS

From Point "D" to:-		From Point "E" to:-	
E	18'-0"	E	
F	21'-6 1/4"	F	17'-4 5/8"
G	17'-4 5/8"	G	21'-7 1/2"

NOTICE

SWIMMING POOLS AND ACCESSORIES (INCLUDING DIVING BOARDS) ARE DANGEROUS WHEN IMPROPERLY USED OR INSTALLED. IT IS THE RESPONSIBILITY OF MUNICIPAL OFFICIALS, BUILDERS AND POOL OWNERS TO ADHERE TO ALL SAFETY RECOMMENDATIONS AND STANDARDS ISSUED BY THE POOL & HOT TUB COUNCIL, LOCAL AUTHORITIES AND EQUIPMENT MANUFACTURERS. PLEASE REFER TO DIVING BOARD MANUFACTURERS FOR CORRECT POSITIONING AND INSTALLATION OF DIVING EQUIPMENT.



HIGHBURY POOLS LTD

STRAIGHT-BACK CRESCENT - LEFT 18 x 36

DRAWING REFERENCE #
15A-18-36-1

DRAWN BY:JK
REV. 28 AUG 13
SHEET 2 OF 2